

Key Features

802.11b/g/n with Antenna

- IEEE802.11b/g/n standard conformity
- Low standby current (with advanced power save and sleep mode)
- Transmit speed : 11/5.5/2/1 Mbps(11b), 54/48/36/24/18/12/9/6 Mbps(11g), 150~6.5 Mbps (11n)
- Channel Number : 1 to 13ch (11bg)
- Interface : SDIO
- Built-in Antenna, EEPROM, X'tal, 2G-PA, BPF
- Security : WEP (64/128), TKIP, AES, WPA/WPA2, WAPI
- Small Outline : 35.0 x 15.0 x 2.9 (Max) mm, Metal case package
- FCC, CE Type Approvals
- Utilizes 88W8787 IC
- RoHS Conformity

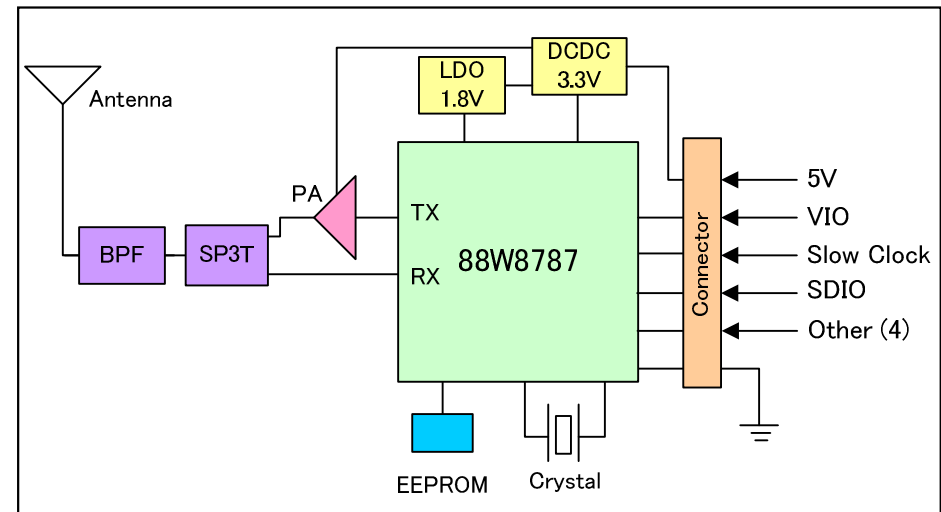
Application

- Handy Terminal, Audio-visual equipment, PC peripheral, Digital home electrical appliance, Portable multimedia device, Embedded application

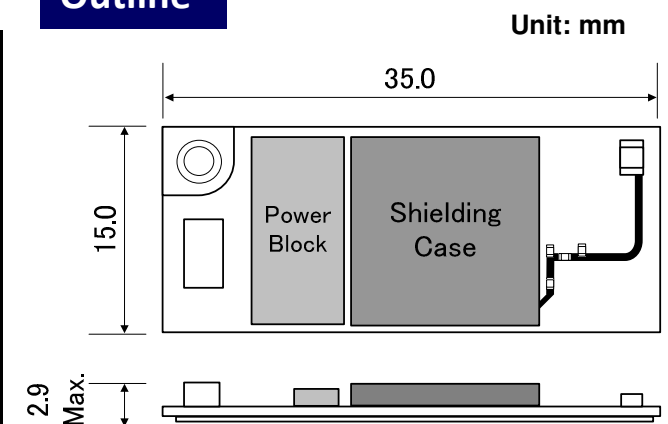
General Electrical Specification

Parameter	Description	Min.	Typ.	Max.	Units
Operation Voltage	VBAT	3.4	5.0	5.5	V
	VIO	1.62/ 2.97	1.8/ 3.3	1.98/ 3.63	V
TX Output Power (11b/ g/ n)	11b/ 11g/ 11n-HT20	13/ 10/ 9	15/ 12/ 11	17/ 14/ 13	dBm
RX Sensitivity (11b/ g/ n)	11b/ 11g/ 11n-HT20		-86/-72/-69	-76/-65/-64	dBm
TX Power Consumption	Burst TX (150Mbps)		439		mW
RX Power Consumption	Continuous RX (150Mbps)		552		mW
Power Consumption	Sleep Mode		3		mW
General Operation Temperature Range (Shielding case surface temperature)		-20	25	80	deg-C

Block Diagram



Outline



Note: The above PRELIMINARY data are not guaranteed, and are subject to change without notice.

To Evaluate WLAN Module WYSAAVDX7, You Will Need WBSAAVDX7

WBSAAVDX7 is the evaluation kit for WLAN Module **WYSAAVDX7**. This kit has everything you need to evaluate the performance of this module.

WBSAAVDX7 Kit includes:

No.	Item	Description	Qty
1	WBSAAVDX7	Evaluation Board for WLAN module WYSAAVDX7 with SDIO interface	1
2	Standoff	Standoff	4
3	Nut	Nut	4
4	Red & Blue Cable	Power Supply Cable	1
5	CD	Evaluation Software	1

