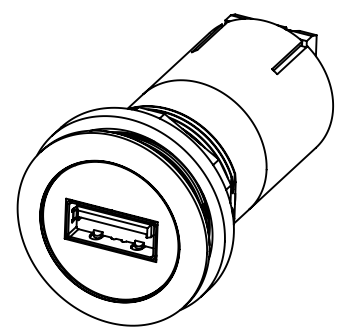
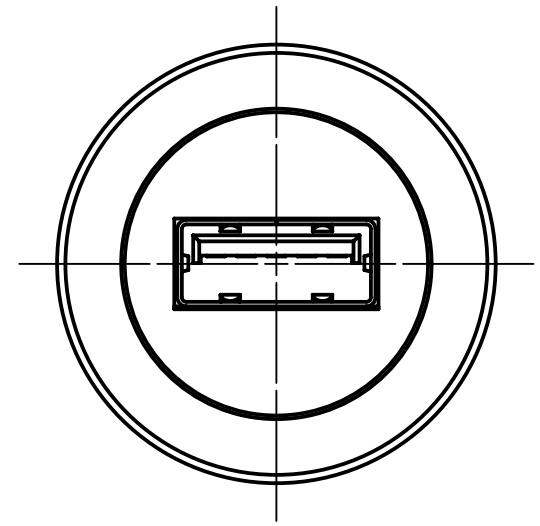
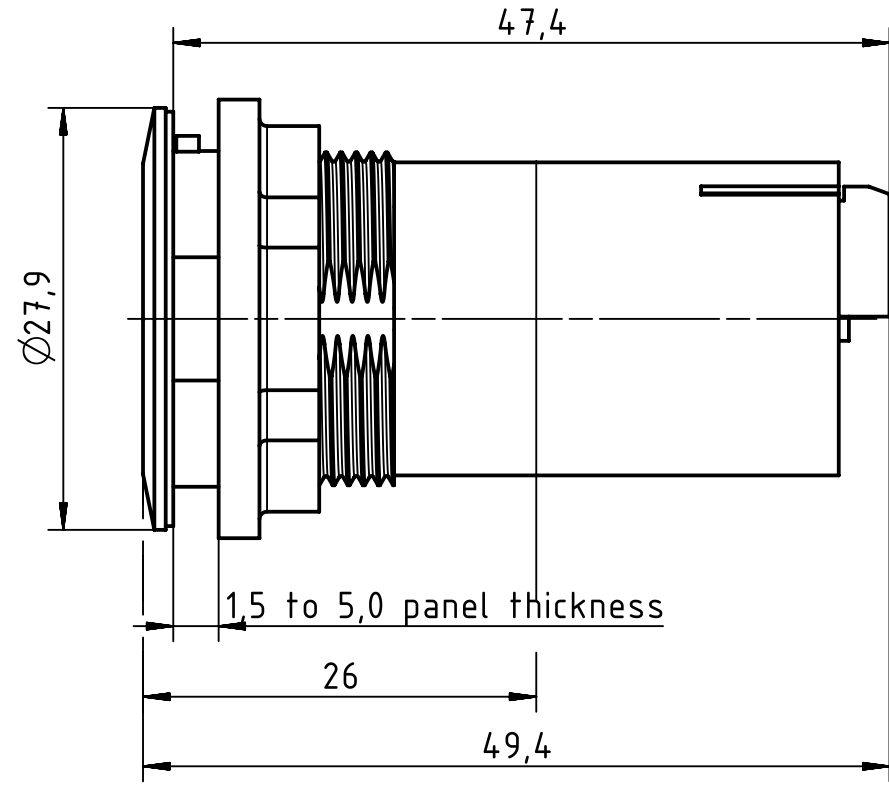


PANEL CUT DIMENSIONS



	All rights reserved Department EL PD	All Dimensions in mm Original Size DIN A4		Scale 1:1	Free size tol.	Ref.
		HARTING Electric GmbH & Co. KG D-32339 Espelkamp	Created by FARCASIU	Inspected by PRIESTER	Standardisation SCHMIDTM	Date 2018-08-28
Title har-port USB charger 5V/1,5A black						Doc-Key / ECM-Nr. 100797768/UGD/000/A 500000138284
Type TB				Number 09 45 452 1980		Rev. A
						Page 1/1

# Mouser Electronics

Authorized Distributor

Click to View Pricing, Inventory, Delivery & Lifecycle Information:

[HARTING:](#)

[09454521980](#)