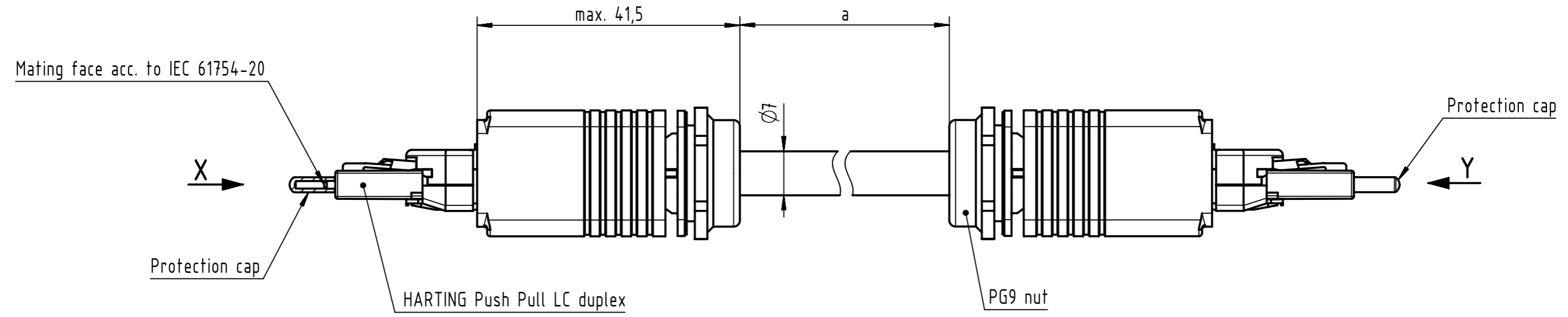


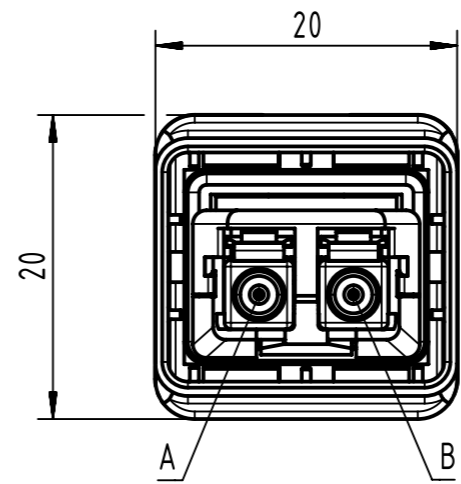
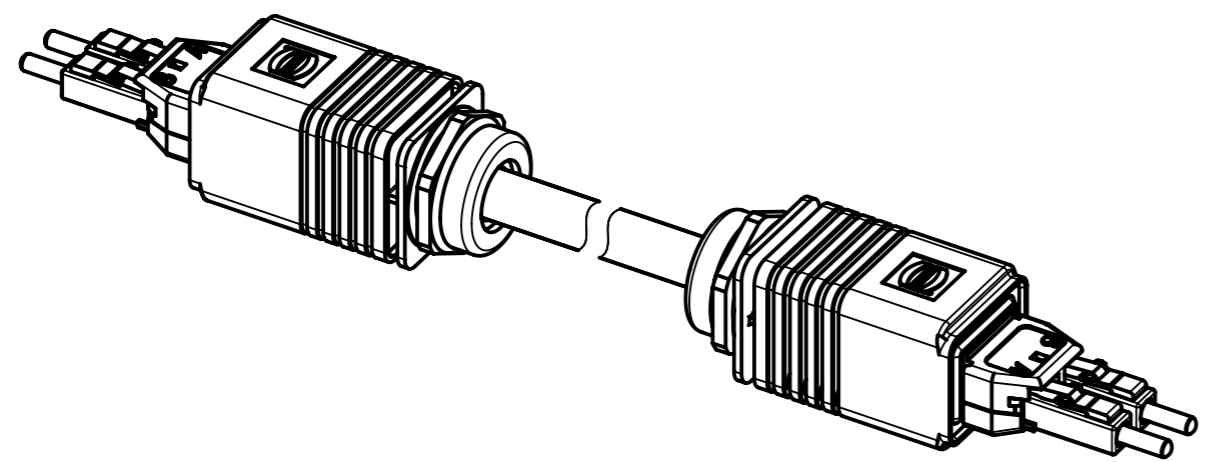
Connector Location A

Connector Location B

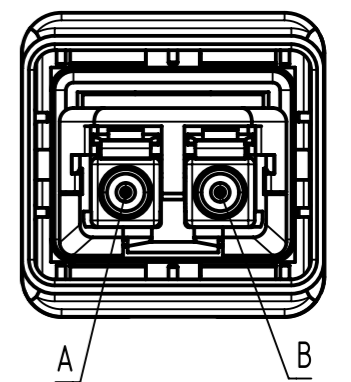


X
male
(without protection cap)

Y
male
(without protection cap)




Loading-Plan
 A — blue — B
 B — orange — A



10	3358211300001	F.O. breakout cable MM 62.5/125µm	300
9	3358211100001		100
8	3358211060001		60
7	3358211050001		50
6	3358211040001		40
5	3358211020001		20
4	3358211010001		10
3	3358211005001		5
2	3358211003001		3
1	3358211001001		1
Cont. no.	HARTING part no.	Type of cable	Dim. a[m]

-Protection level: IP67/65
 -Temperature range: -40°C ... +70°C

 All rights reserved
 Department HCS - RO
 HARTING Customised Solutions
 D-32427 Minden

Tech. Character. Free size tol. According to production drawing
 Created by COSTEA Inspected by MUNTEANV Standardisation AVRAM Date 2017-10-05 State Final Release
 Title HARTING PushPull LC Cable Assembly Doc-Key / ECM-Nr. 100173352/UGD/009/B 500000126136
 Type TB Number 3358211XXX0001 Rev. B Page 1/1

Mouser Electronics

Authorized Distributor

Click to View Pricing, Inventory, Delivery & Lifecycle Information:

HARTING:

[33582110010001](#) [33582110050001](#) [33582110100001](#) [33582110200001](#) [33582110400001](#) [33582110500001](#)
[33582111000001](#)