

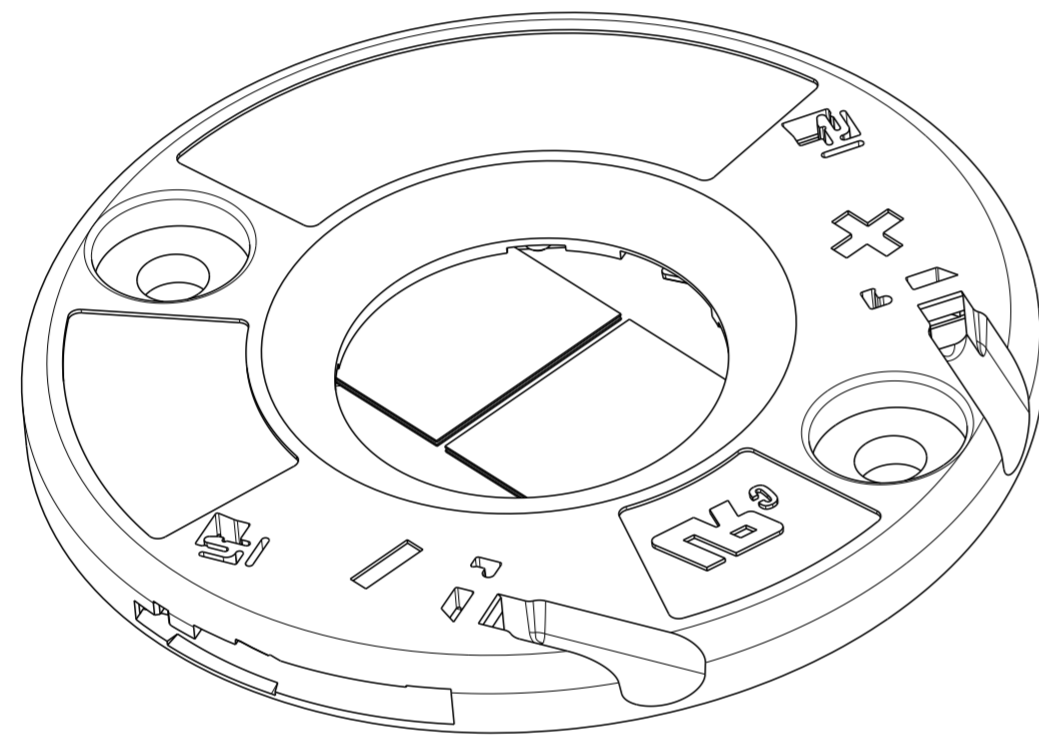
THIS DRAWING IS UNPUBLISHED. RELEASED FOR PUBLICATION 20  
 © COPYRIGHT 20 BY - ALL RIGHTS RESERVED.

REVISIONS					
P	LTR	DESCRIPTION	DATE	DWN	APVD
2		REVISED TITLE	11APR2018	JS	JL
3		ADDED UR LOGO	13APR2018	JS	JL
4		ADDED CREE TO TABLE	26APR2018	JL	MM
A		ECR-18-007369	16MAY2018	GCM	JL

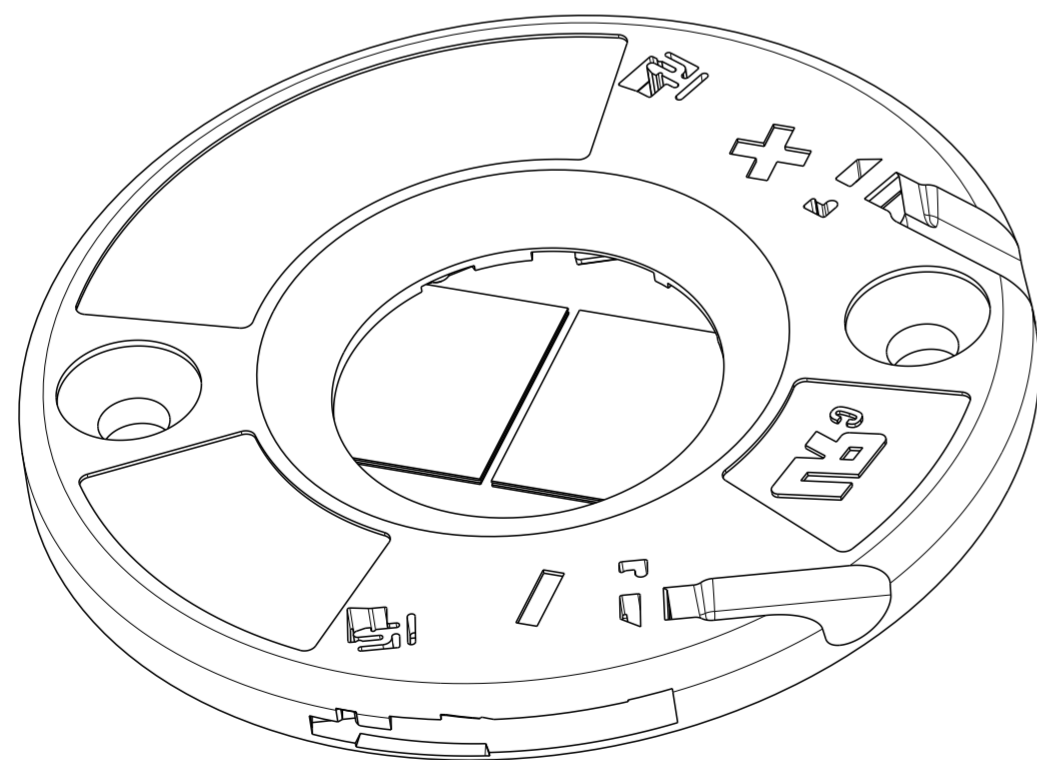
1 MATERIALS:  
 HOLDER: PBT ,COLOR: NATURAL;  
 CONTACTS: COPPER ALLOY, Au/Ni PLATING (LED INTERFACE)

- FOR SOLID, FUSED AND STRANDED CONDUCTOR WIRE TYPES AWG 18 AND 20
- WIRE STRIP LENGTH: 11-12mm
- MAX. WIRE INSULATION OUTER DIA:  $\varnothing 2,3\text{mm}$
- RECOMMENDED SCREW TORQUE: 0.4-0.6 N-m
- SCREWS TO BE USED: M3, #4-40
- LED MATING ON 2 CORNERS WITH ADHESIVE TAPE 3M 468MP.

8 LAYOUTS ON SHEET 3



PAN HEAD  
SCALE 3:1



COUNTERSINK  
SCALE 3:1

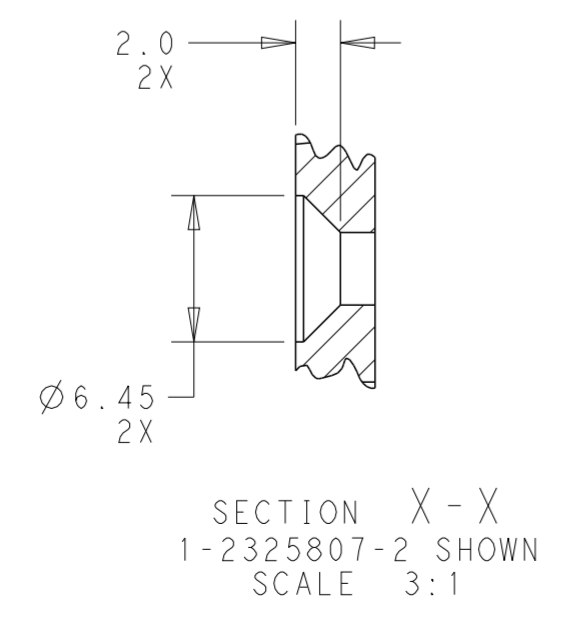
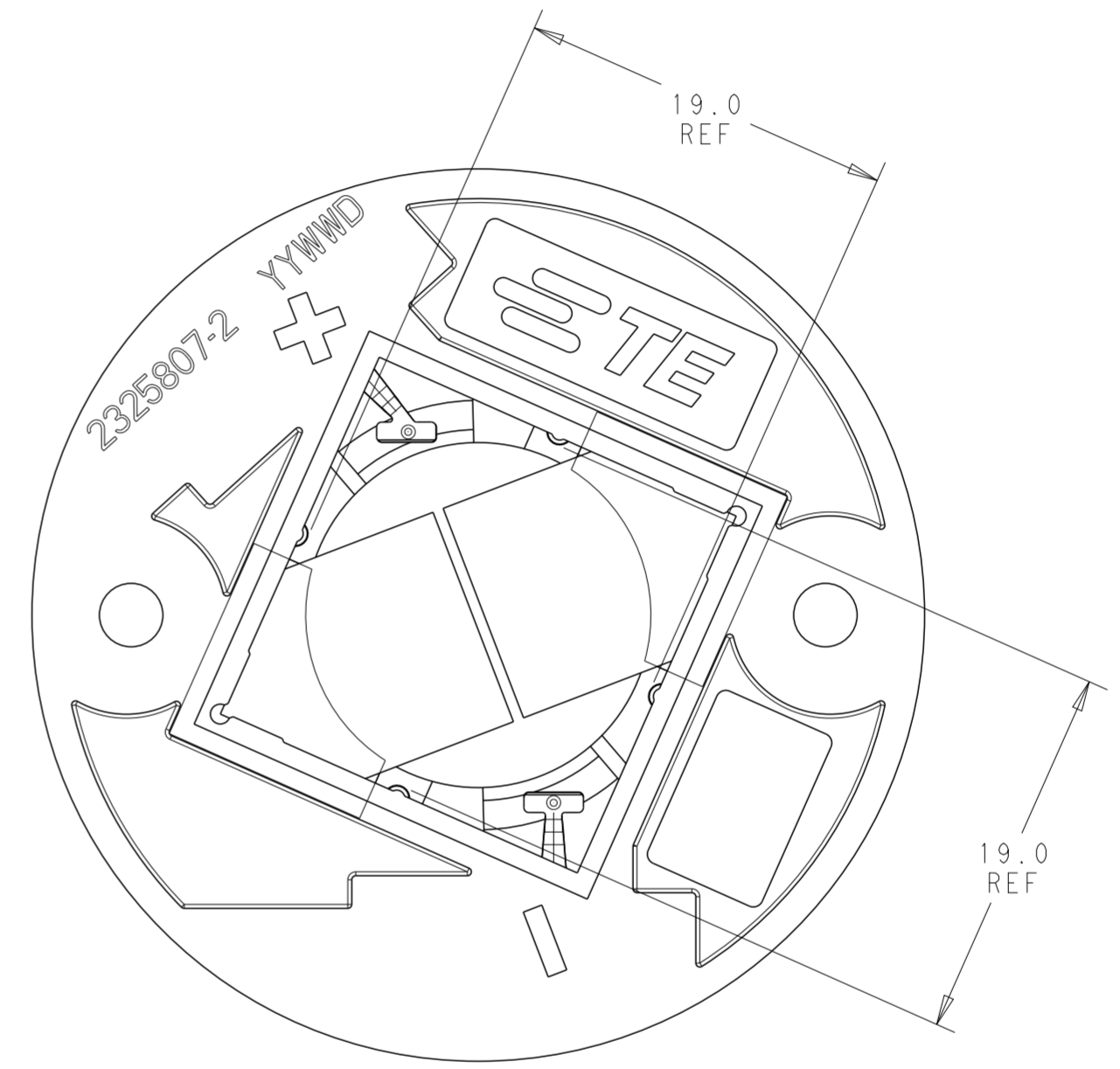
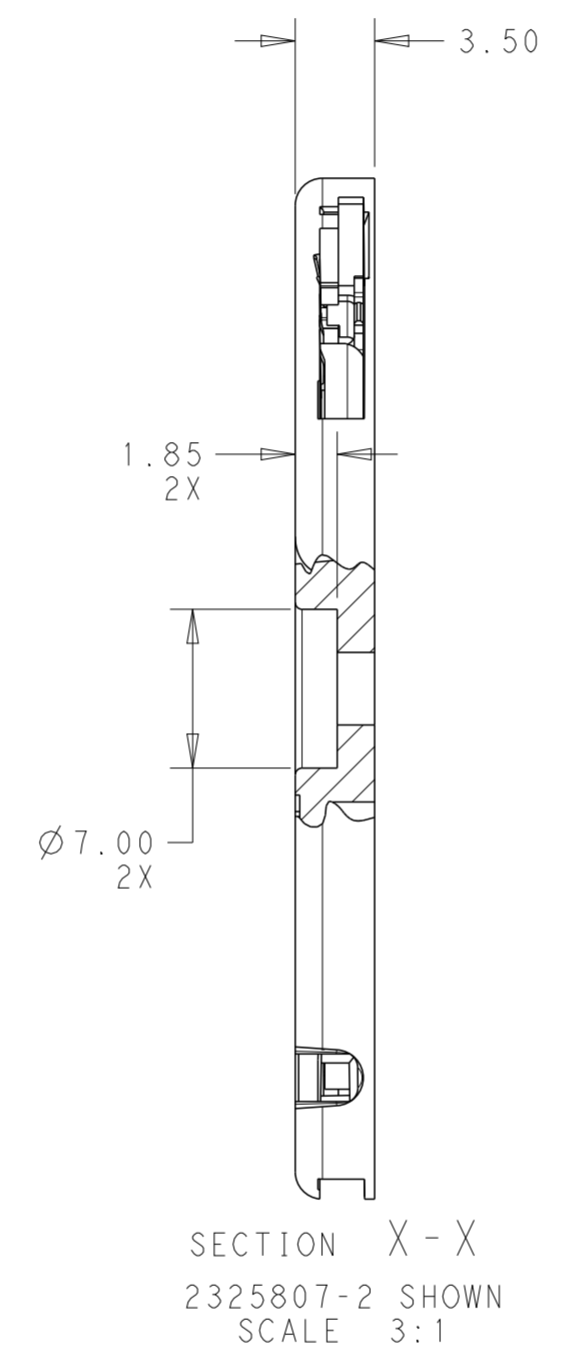
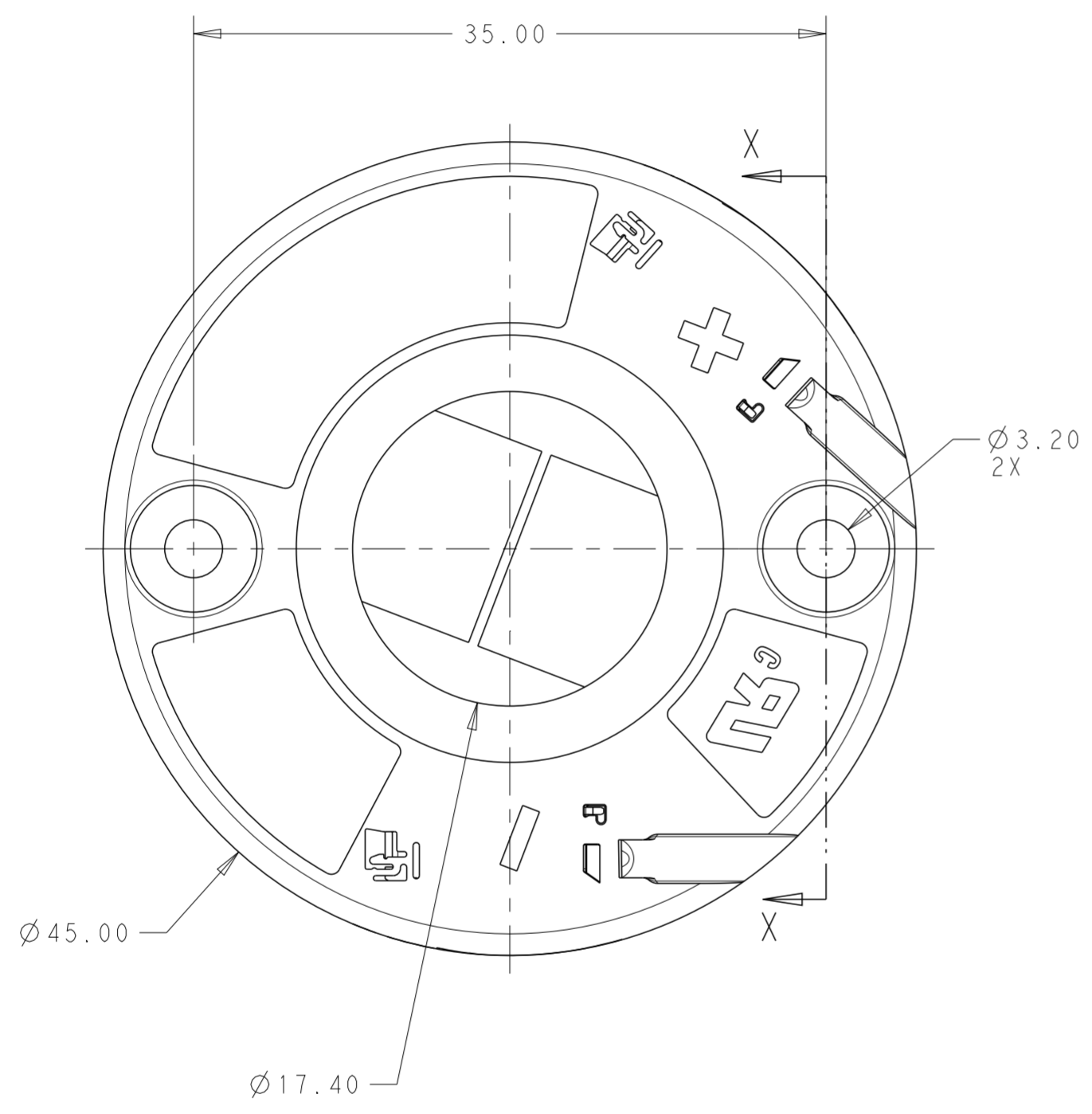
BRIDGELUX	V13	GEN 7	2325807-2	1-2325807-2	A
CITIZEN	CLU, CLL	CLL032 CLU034 CLU036 CLU038 CLU720 CLU721	2325807-3	1-2325807-3	B
		CLU710 CLU711	2325807-2	1-2325807-2	A
CREE	CMT	CMT1930	2325807-3	1-2325807-3	B
EDISON OPTO	EDIPOWER IIII	HE CR180 SERIES HE CR190 SERIES HM CR180 SERIES HM CR190 SERIES	2325807-3	1-2325807-3	B
	EDIPOWER	SL SERIES	2325807-3	1-2325807-3	B
EVERLIGHT		EAHP1919	2325807-2	1-2325807-2	A
LEXTAR	COB SERIES	PB16H PB16U PB19H PB19U PB26H PB26U	2325807-3	1-2325807-3	B
LUMINUS	SENSUS	CHM-14 (AC10) CXM-14 CXM-11-AC00 CHM-14 (AC00) CLM-14 GEN 3 CXM-11-XH00	2325807-3	1-2325807-3	B
		CXM-11	2325807-2	1-2325807-2	A
OSRAM	SOLERIQ	S13	2325807-2	1-2325807-2	A
SAMSUNG	D-SERIES	LC016D LC019D	2325807-2	1-2325807-2	A
SEOUL SEMI	ZC	SDWX3F1C SDWX2F1A	2325807-2	1-2325807-2	A
TRIDONIC	MODULE SLE ESSENCE	SLE G6 SNC	2325807-2	1-2325807-2	A
LED MFG.	LED NAME	LED MODEL	PAN HEAD SCREW P/N	COUNTERSINK SCREW P/N	LAYOUT 8

B	COUNTERSINK	1-2325807-3
B	PAN HEAD	2325807-3
A	COUNTERSINK	1-2325807-2
A	PAN HEAD	2325807-2
LED LAYOUT		DESCRIPTION
		PART NO.

THIS DRAWING IS A CONTROLLED DOCUMENT.		DWN C. DAILY 18DEC2017	TE Connectivity	
		CHK J. LATORRE 18DEC2017		
DIMENSIONS: mm		APVD -	NAME LED HOLDER, 19x19 LUMAWISE Z45 LED	
TOLERANCES UNLESS OTHERWISE SPECIFIED:		PRODUCT SPEC 108-133062	SIZE A2	
0 PLC ±		APPLICATION SPEC 114-133107	CAGE CODE 00779	DRAWING NO C-2325807
1 PLC ±0.2		WEIGHT -	RESTRICTED TO -	
2 PLC ±0.13		CUSTOMER DRAWING		
3 PLC ±		SCALE 2:1 SHEET 1 OF 3 REV A		
4 PLC ±				
ANGLES ±2°				
FINISH				

THIS DRAWING IS UNPUBLISHED. RELEASED FOR PUBLICATION 20  
 © COPYRIGHT 20 BY - ALL RIGHTS RESERVED.

REVISIONS				
P	LTR	DESCRIPTION	DATE	APVD
-	-	SEE SHEET 1	-	-

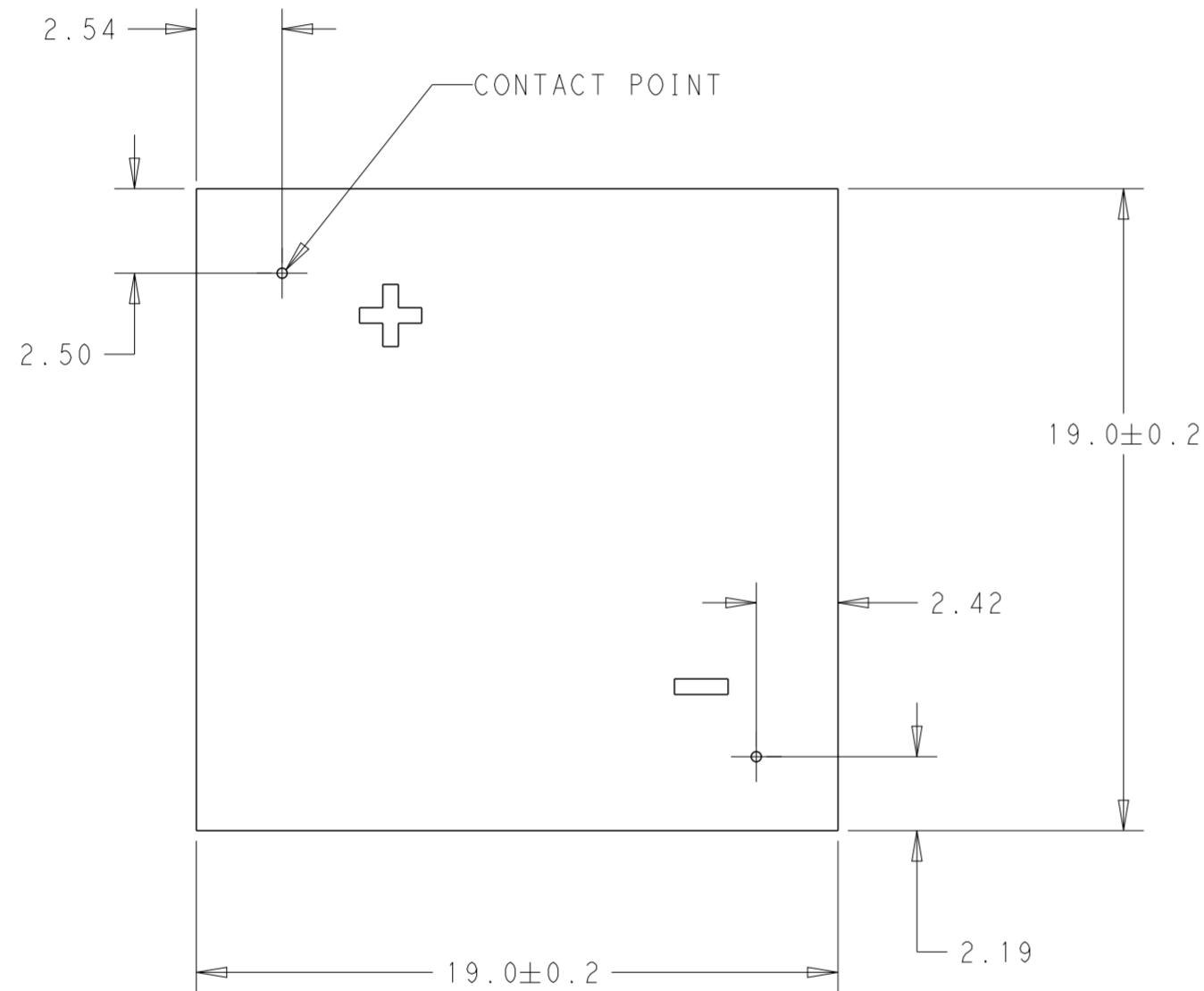


THIS DRAWING IS A CONTROLLED DOCUMENT.		DWN C. DAILY 18DEC2017	<b>STE</b> TE Connectivity	
		CHK J. LATORRE 18DEC2017		
DIMENSIONS:		APVD -	NAME LED HOLDER, 19x19 LUMAWISE Z45 LED	
mm	TOLERANCES UNLESS OTHERWISE SPECIFIED:	PRODUCT SPEC 108-133062	SIZE -	
	0 PLC ±	APPLICATION SPEC 114-133107	CAGE CODE A200779	DRAWING NO C-2325807
	1 PLC ±0.2	WEIGHT -	RESTRICTED TO -	
	2 PLC ±0.13	CUSTOMER DRAWING	SCALE 3:1	SHEET 2 OF 3
	3 PLC ±			REV A
	4 PLC ±			
	ANGLES ±2°			
	FINISH			

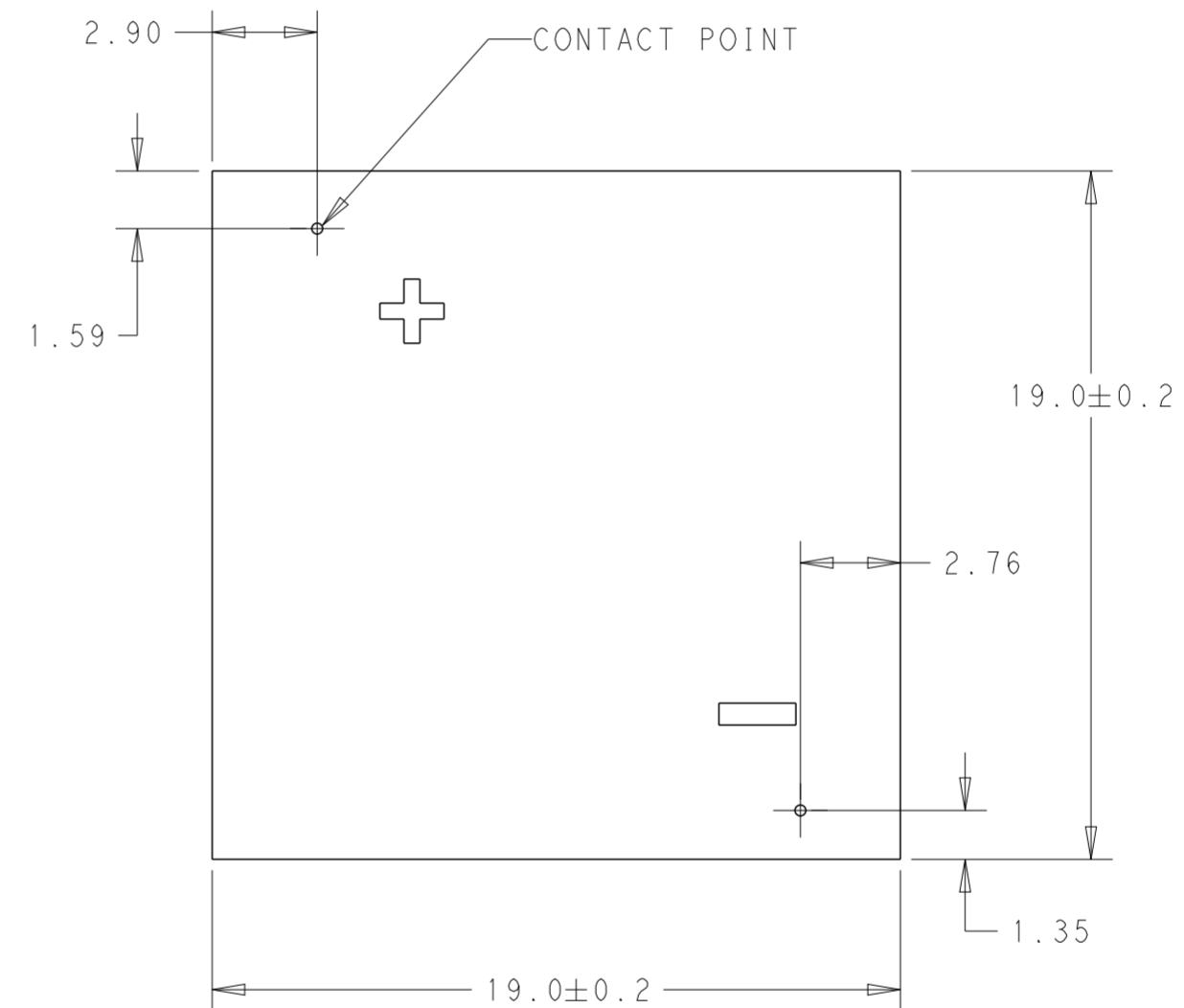
THIS DRAWING IS UNPUBLISHED. RELEASED FOR PUBLICATION 20  
 © COPYRIGHT 20 BY - ALL RIGHTS RESERVED.

REVISIONS				
P	LTR	DESCRIPTION	DATE	APVD
-	-	SEE SHEET 1	-	-

LED SUBSTRATE LAYOUT A  
TOP SIDE OF BOARD



LED SUBSTRATE LAYOUT B  
TOP SIDE OF BOARD



THIS DRAWING IS A CONTROLLED DOCUMENT.		DWN C. DAILY 18DEC2017	<b>STE</b> TE Connectivity	
		CHK J. LATORRE 18DEC2017		
DIMENSIONS: mm		TOLERANCES UNLESS OTHERWISE SPECIFIED:		APVD -
		0 PLC ±	NAME LED HOLDER, 19x19 LUMAWISE Z45 LED	
		1 PLC ±0.2	PRODUCT SPEC 108-133062	
		2 PLC ±0.13	APPLICATION SPEC 114-133107	
		3 PLC ±	SIZE A200779	
MATERIAL		4 PLC ±	CAGE CODE C-2325807	DRAWING NO
		ANGLES ±2°	RESTRICTED TO	
		FINISH	-	
			SCALE 2:1 SHEET 3 OF 3 REV A	
			CUSTOMER DRAWING	