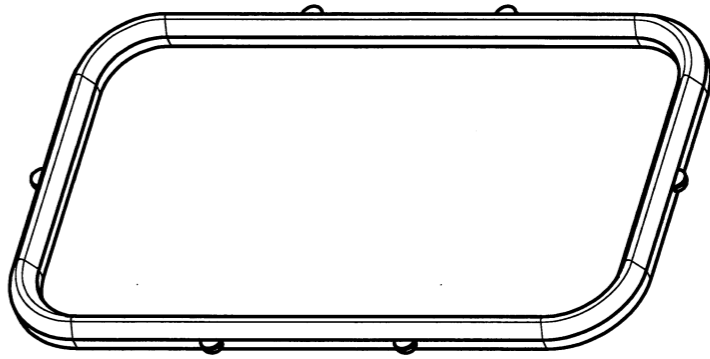
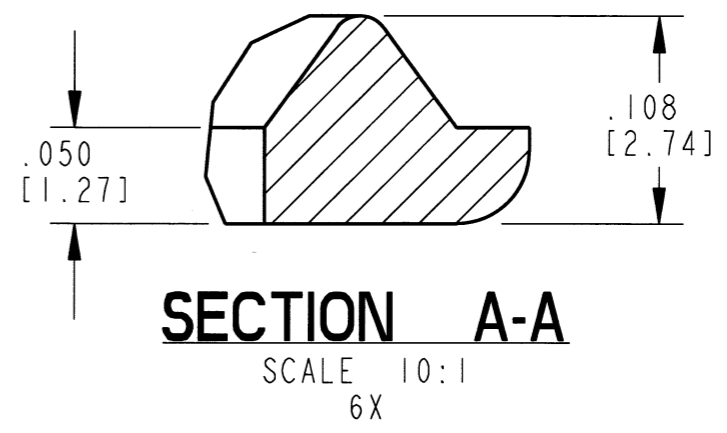
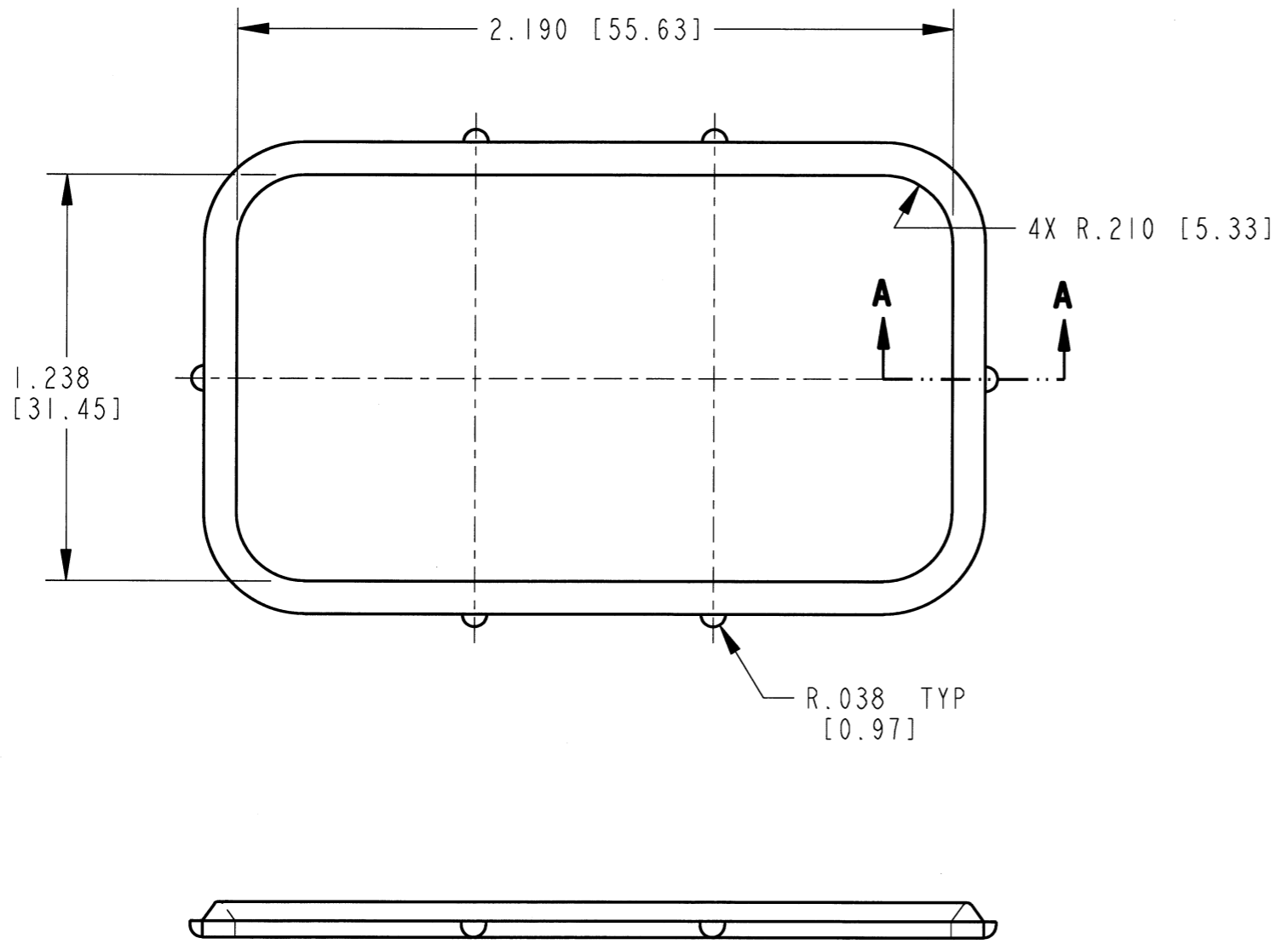


REV
A 0510-014-2406

REVISIONS			
SYM	DESCRIPTION	DATE	APPROVED
NC	NEW RELEASE PER E.O. A09300	2-12-90	J.A.
A	REVISED AND REDRAWN PER E.O. P21320	3-9-12	ADR



3D VIEW

- 4. MATERIAL: SILICONE.
 - 3. THIS PART IS USED ON DRC10-24P*-****.
(* = A, B, C, D KEYS; **** = ALL MODIFICATIONS).
 - 2. DIMENSION TOLERANCE: ±.025 [.64].
 - 1. ALL DIMENSIONS ARE IN INCHES [MM].
- NOTES: UNLESS OTHERWISE SPECIFIED.

SIGNATURE & DATE	
DR	D. HASIBUAN 03/05/12
CHK	<i>[Signature]</i> 3/9/12
PE	D. Hasibuan 3/9/12
APPD	<i>[Signature]</i> 3/9/12
SCALE	NONE WT

**FLANGE SEAL FOR
OUTSIDE MOUNT
RECEPTACLE
24 PIN
DRC SERIES**

ENVELOPE

EP	MATL. CODE
3850 INDUSTRIAL AVE. HEMET, CA 92545	
B	0510-014-2406
DWG SIZE	CODE 11139 SHEET OF

