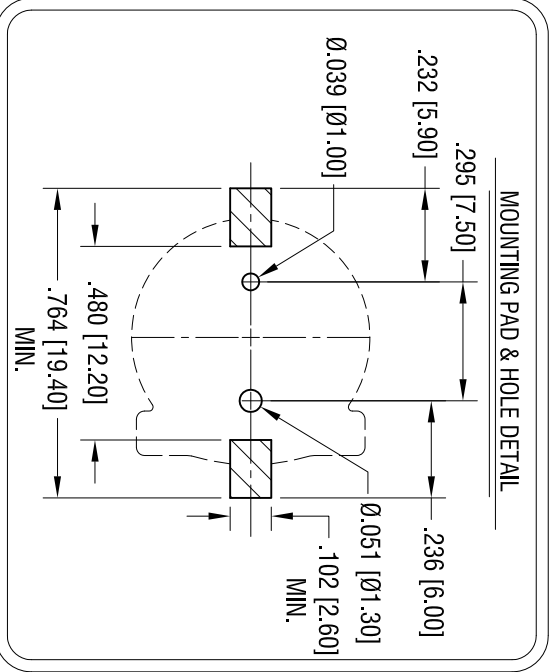
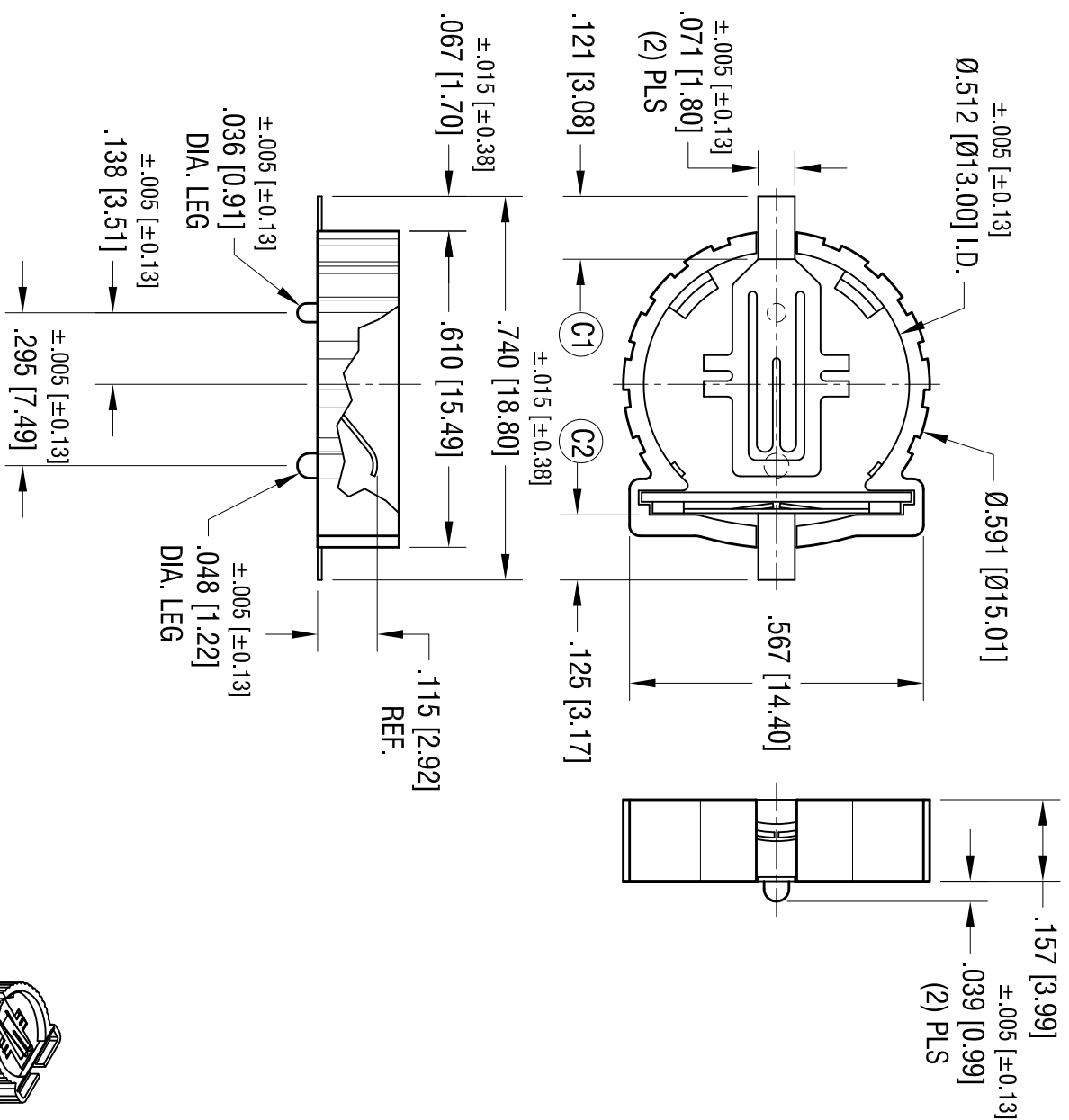


DATE	DESCRIPTION	REV.
12.08.08	CHANGE AS PER ECN 08-188	A
3.09.16	CHANGE AS PER ECN 16-037 UPDATE MTG DETAIL	B
12.22.17	CHANGE AS PER ECN 17-083 ADD DIMENSIONS C1, C2	C



ACTUAL SIZE

THIS DOCUMENT IS THE PROPERTY OF KEYSTONE ELECTRONICS CORP. AND SHALL NOT BE REPRODUCED, DISTRIBUTED OR USED AS A BASIS FOR MANUFACTURE WITHOUT PRIOR WRITTEN PERMISSION FROM KEYSTONE ELECTRONICS CORP.

KEYSTONE ELECTRONICS CORP.
www.keystec.com • ASTORIA, N.Y. 11105-2017 • Tel (718) 956-8900

PART NAME: **1220 BATTERY HOLDER, SMT**

MATERIAL: **AS NOTED**

FINISH: **AS NOTED**

DRN BY: **BOONE** DATE: **9.15.05**

App'd: **LN** SCALE: **3X**

TOLERANCES INCH [MM]

DECIMAL $\pm .010$ [± 0.25]

ANGULAR $\pm 1^\circ$ [± 0.25]

CODE: **C** DWG NO.: **1056**

- NOTES:**
- 1. BASE:
MATERIAL - GLASS FILLED PPS UL 94V-0
 - 2. CONTACTS:
MATERIAL - .008 [0.20] THK PHOSPHOR BRONZE
FINISH - GOLD FLASH , OVER NICKEL PLATE