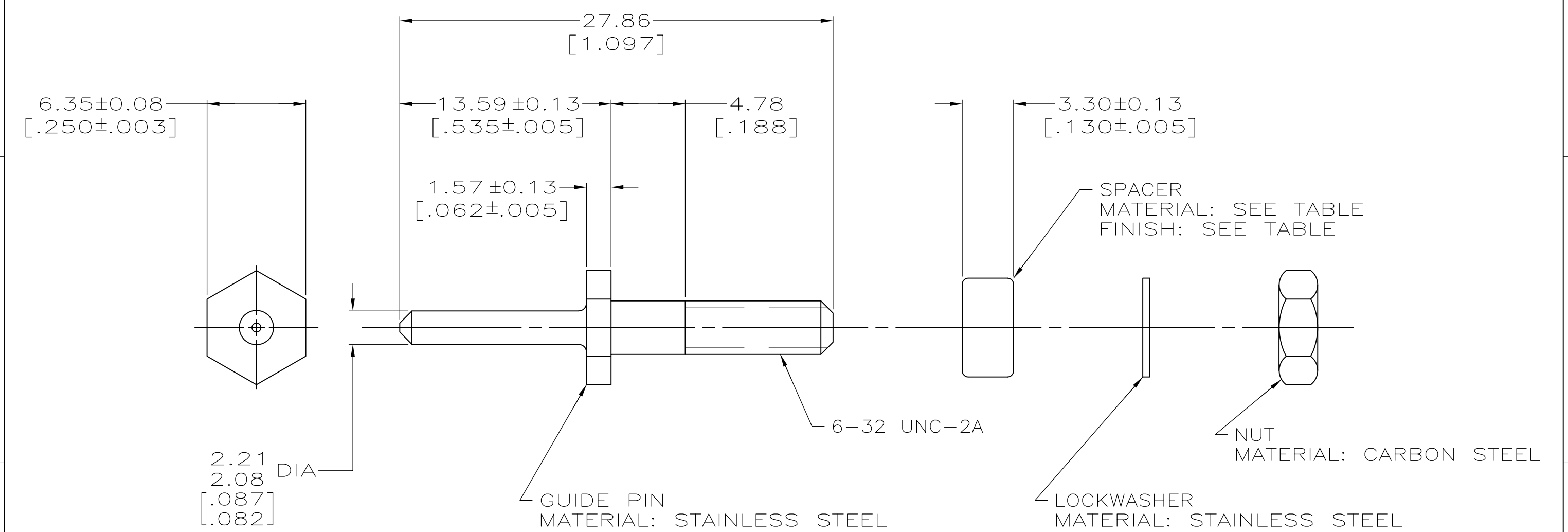


THIS DRAWING IS UNPUBLISHED. RELEASED FOR PUBLICATION
 © COPYRIGHT BY TYCO ELECTRONICS CORPORATION. ALL RIGHTS RESERVED.

LOC	DIST	REVISIONS			
P	LTR	DESCRIPTION	DATE	DWN	APVD
FT	0	T	REVISED PER ECO-10-021995	12JAN11	HMR MG



1	STAINLESS STEEL	YES	202173-8
-	-	NO	202173-7
2	BRASS	YES	202173-6
1	STAINLESS STEEL	YES	202173-5
-	-	NO	202173-1
FINISH		MATERIAL	
SPACER			PART NUMBER

SUPERSEDED BY 202173-8
 SUPERSEDED BY 202173-7

- 1 PASSIVATED.
- 2 2.54um [.000100] MIN ZINC WITH HEXAVALENT CHROMIUM.

THIS DRAWING IS A CONTROLLED DOCUMENT.		DWN C.DORWART 30 AUG 95	Tyco Electronics Corporation Harrisburg, Pa 17105-3608	
DIMENSIONS: mm [INCHES]		CHK R.STONE 31 AUG 95	NAME	
TOLERANCES UNLESS OTHERWISE SPECIFIED:		APVD G.STEINHAUER 05 OCT 95	GUIDE PIN KIT, UNASSEMBLED, M SERIES	
0 PLC ± -		PRODUCT SPEC	SIZE CAGE CODE DRAWING NO RESTRICTED TO	
1 PLC ± -		APPLICATION SPEC	A3 00779 C-202173	
2 PLC ± 0.38 [.015]		WEIGHT -	SCALE 4:1 SHEET 1 OF 1 REV T	
3 PLC ± -		CUSTOMER DRAWING		
4 PLC ± -				
ANGLES ± -				
FINISH -				
MATERIAL SEE CALLOUTS				