

THIS DRAWING IS UNPUBLISHED. RELEASED FOR PUBLICATION
 © COPYRIGHT - BY TYCO ELECTRONICS CORPORATION. ALL RIGHTS RESERVED.

LOC	DIST	REVISIONS					
H	-	P	LTR	DESCRIPTION	DATE	DWN	APVD
		D1		REVISED PER ECR-14-012391	18AUG2014	FD	OL
		B		CHANGE PER ECR-13-006472	17APR2013	PP	OL
		C		REVISED PER ECR-14-000978	22JAN2014	AB	OL
		D		REVISED PER ECR-14-008991	21JUL2014	PP	OL

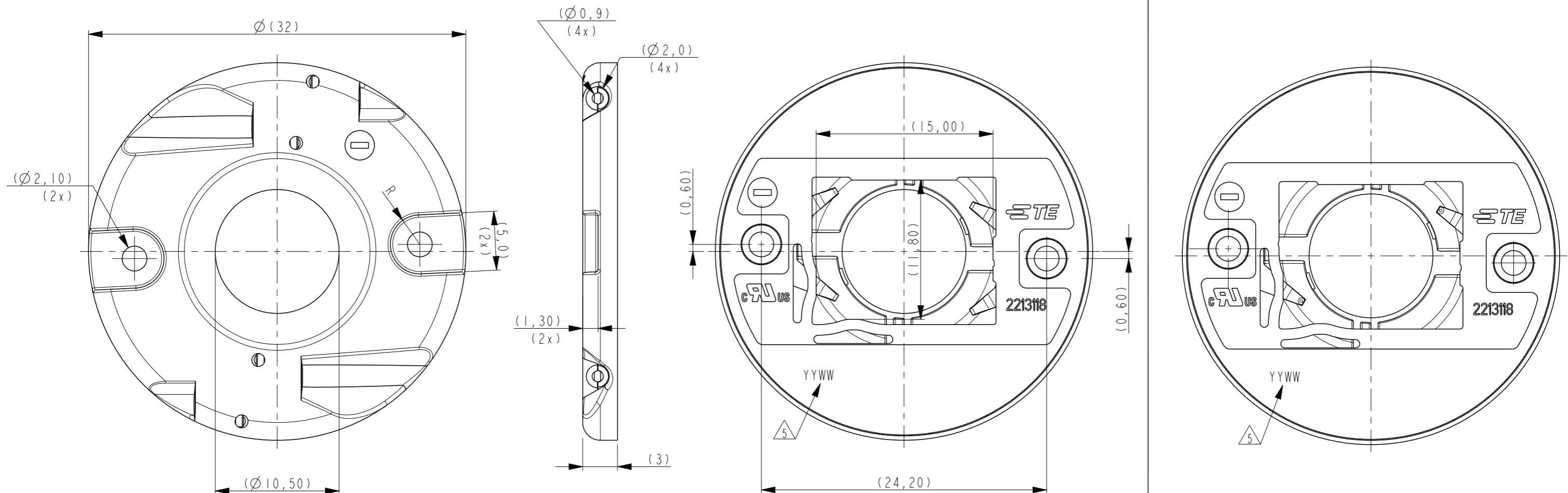
NOTES:

- MATERIALS:
 - BASE & COVER: PBT,
 COLOR: NATURAL,
 - CONTACTS: COPPER ALLOY.
- FOR SOLID AND STRANDED WIRE AWG 22 - 20 USE.
- COMPLIES WITH DIRECTIVE 2002/95/EC (ROHS).
- SREWS TO BE USED: M2x6.

△ YEAR/WEEK CODING

P/N 2213118-1
 2 PARALLEL CONTACT BEAM VERSION
 SHARP MINI ZENIGATA LED

P/N 2213118-2
 SINGLE CONTACT BEAM VERSION
 LUMILEDS

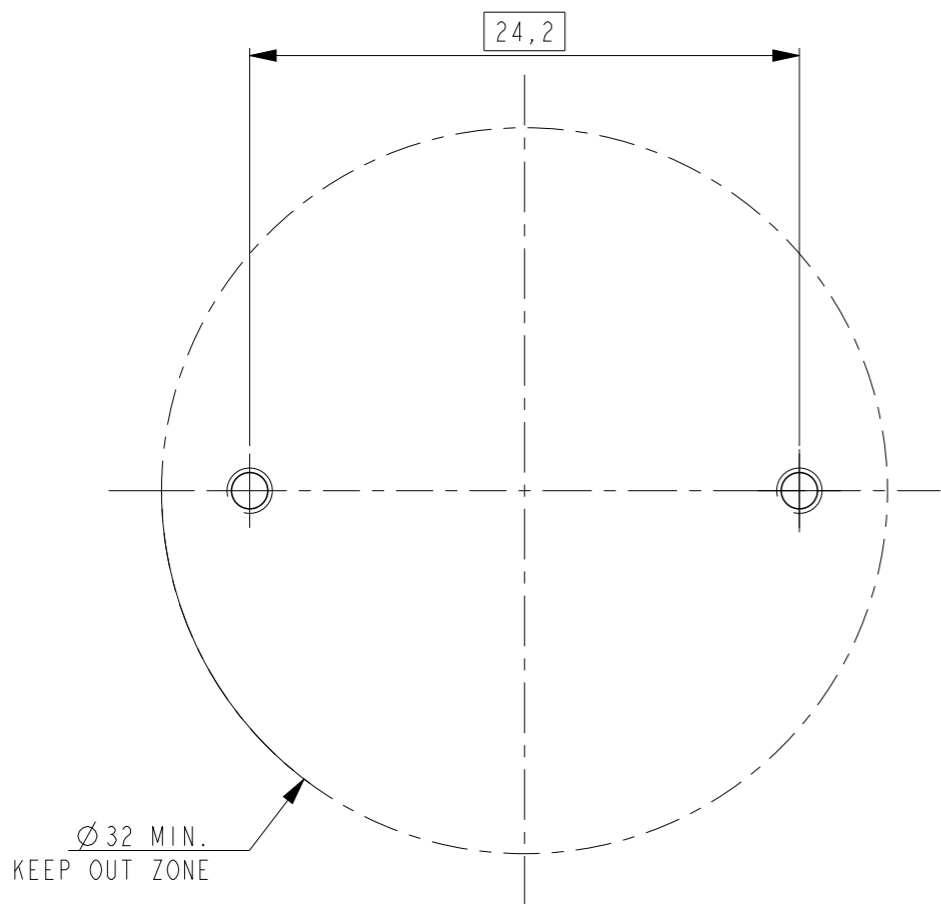


THIS DRAWING IS A CONTROLLED DOCUMENT.		DWN	P. POORTER	19JUL2012	TE Connectivity	
DIMENSIONS: mm		CHK	O. LEIJNSE	19JUL2012		
TOLERANCES UNLESS OTHERWISE SPECIFIED:		APVD	O. LEIJNSE	19JUL2012		
0 PLC ±- 1 PLC ±- 2 PLC ±- 3 PLC ±- 4 PLC ±- ANGLES ±-		PRODUCT SPEC	108-133006			
MATERIAL -		FINISH	-		NAME	LUMAWISE LED HOLDER Z32 LOW PROFILE 1215
		Customer Drawing	WEIGHT	-	SIZE	A3
					CAGE CODE	00779
					DRAWING NO	G-2213118
					RESTRICTED TO	-
					SCALE	3:1
					SHEET	1 OF 2
					REV	D1

THIS DRAWING IS UNPUBLISHED. RELEASED FOR PUBLICATION
 © COPYRIGHT - BY TYCO ELECTRONICS CORPORATION. ALL RIGHTS RESERVED.

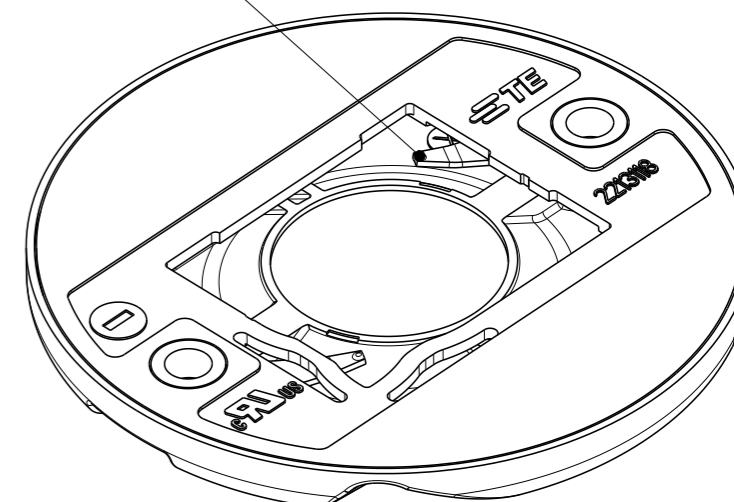
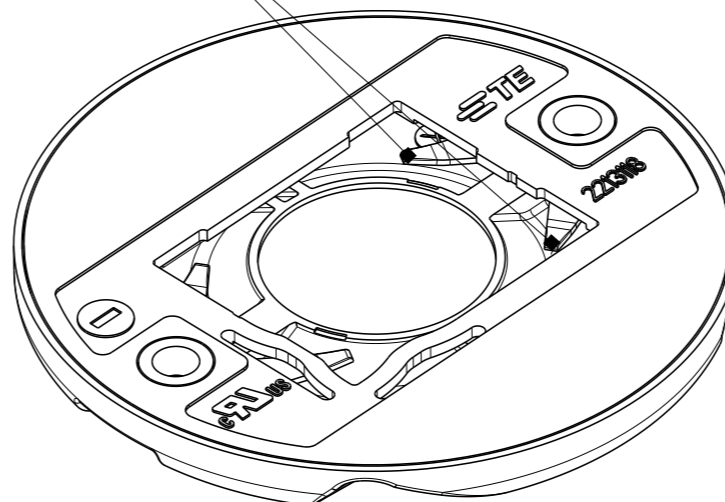
LOC	DIST	REVISIONS			
P	LTR	DESCRIPTION	DATE	DWN	APVD
H	-	SEE SHEET 1	-	-	-

RECOMMENDED DRILLING HOLE PATTERN



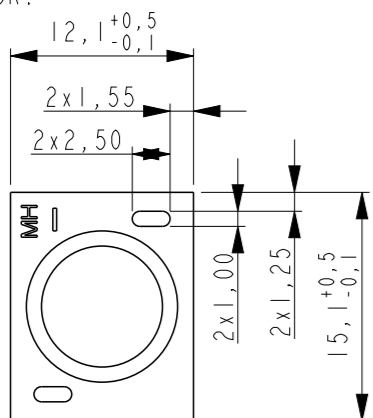
P/N 2213118-1
2 paralel contacts

P/N 2213118-2
single contact

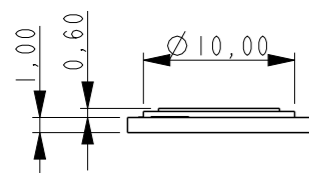
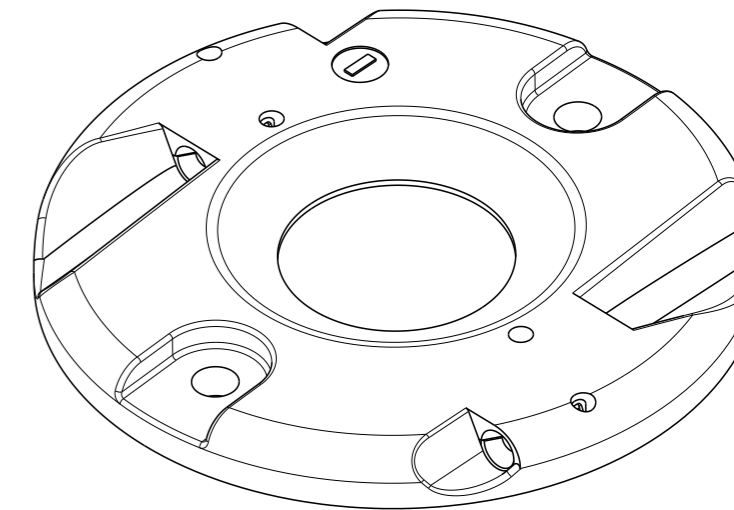
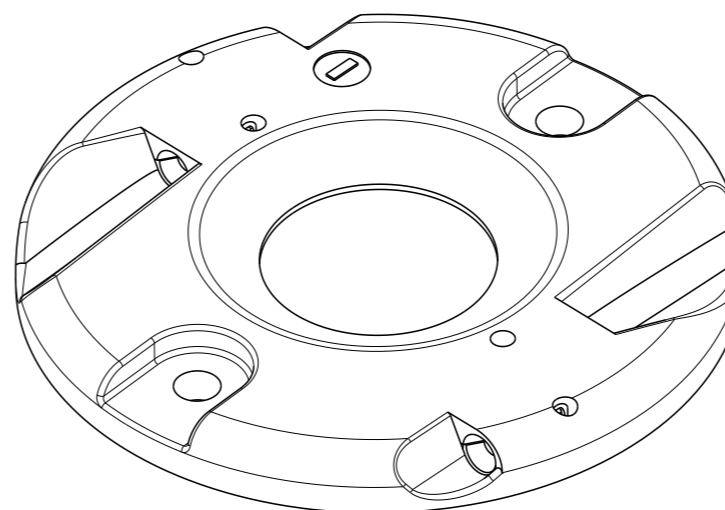
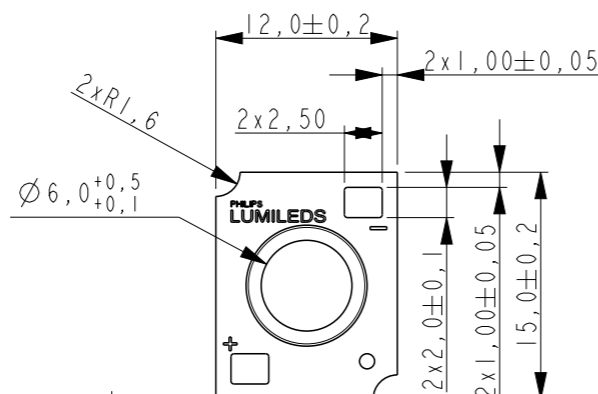


TE CONNECTIVITY IS NOT RESPONSABLE FOR LED LAYOUT DIMENSIONS AS SHOWN BELOW. DIMENSIONS ARE AS RECEIVED BY TE CONNECTIVITY FROM LED MANUFACTURER PRIOR TO THIS REVISION.

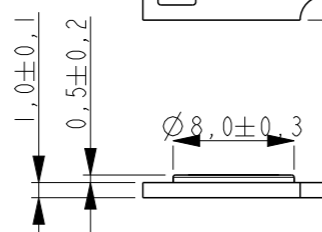
P/N 2213118-1
2 paralel contacts
TO BE USED FOR:



P/N 2213118-2
single contact
TO BE USED FOR:



**SHARP
MINIZENIGATA**



**PHILIPS
LUMILEDS COB 1215**

THIS DRAWING IS A CONTROLLED DOCUMENT.		DWN P. POORTER 19JUL2012	TE Connectivity NAME LUMAWISE LED HOLDER Z32 LOW PROFILE 1215				
DIMENSIONS: mm		CHK O. LEIJNSE 19JUL2012					
TOLERANCES UNLESS OTHERWISE SPECIFIED:		APVD O. LEIJNSE 19JUL2012					
0 PLC ±- 1 PLC ±- 2 PLC ±- 3 PLC ±- 4 PLC ±- ANGLES ±-		PRODUCT SPEC 108-133006					
MATERIAL -		APPLICATION SPEC 114-32045	SIZE A3	CAGE CODE 00779	DRAWING NO C-2213118	RESTRICTED TO -	
		WEIGHT -	Customer Drawing		SCALE 3:1	SHEET 2 OF 2	REV D1