



DIO3303

3:1 USB 2.0 High-Speed (480Mbps) USB Switch

Features

- Low Ron at USB channel:
- Low USB Con: 6.8pF
- USB Switch -3dB Bandwidth: 720MHz
- High Crosstalk and Off-isolation
- Voltage Supply Operation: 2.7V to 4.4V
- 5.25V Tolerant on COM Pin
- Green Packaged: DQFN12
- 4kV HBM ESD Rating, 2kV CDM ESD Rating

Descriptions

The DIO3303 is a SP3T (Single Pole/Triple Throw) switch capable of handling 3 different USB 2.0 high-speed data signal inputs with compliance of USB 2.0 high speed signal eye pattern.

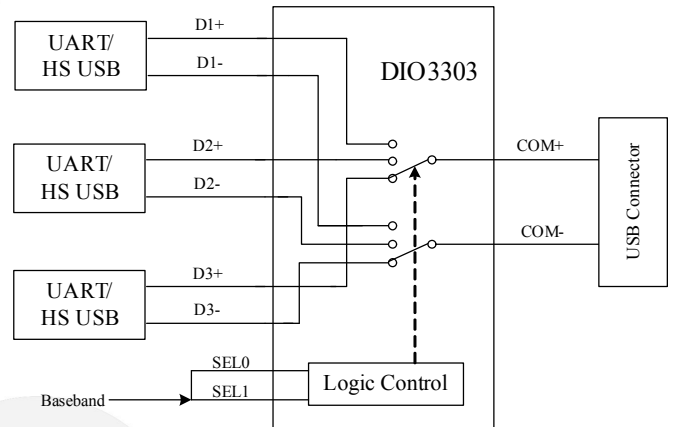
DIO3303 can also handle all USB1.1/2.0 full-speed and UART signals as well with minimum additive distortion.

It is available in DQFN12 packages, and operates over a temperature range of -40°C to 85°C.

Applications

- Cell Phones
- PDAs and MP3s
- Portable Instrumentation
- Battery Powered Communications
- Computer Peripherals

Block Diagram



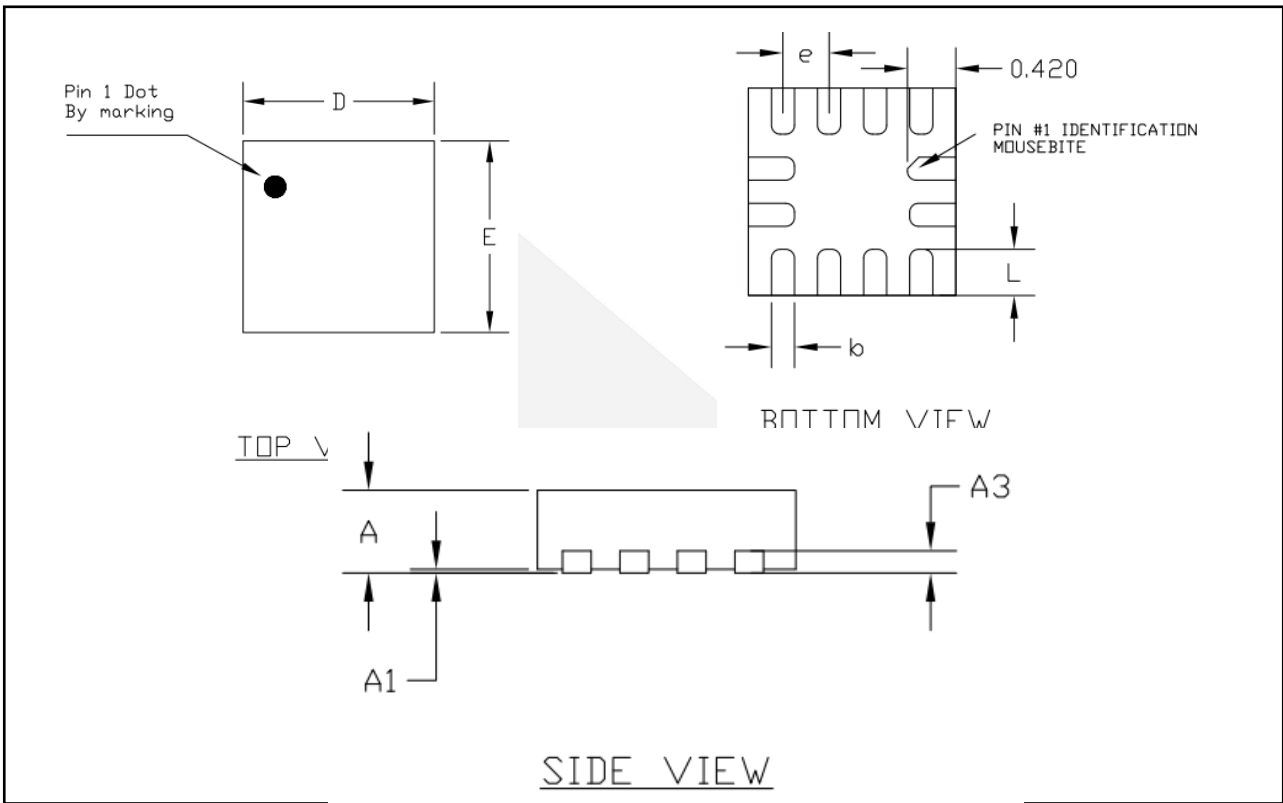
Ordering Information

Order Part Number	Top Marking	Green	T _A	Package	
DIO3303LN12	YWXZ	Yes	-40 to +85°C	DQFN 1.8*1.8-12	Tape & Reel, 3000

DIO3303

3:1 USB 2.0 High-Speed (480Mbps) USB Switch

Physical Dimensions: DQFN-12



COMMON DIMENSIONS (MM)

PKG. REF.	UT ULTRA THIN		
	MIN.	NOM.	MAX.
A	> 0.50	0.55	0.60
A1	0.00	-	0.05
A3	0.15 REF.		
D	1.75	1.8	1.85
E	1.75	1.8	1.85
L	0.35	0.40	0.45
b	0.15	0.20	0.25
e	0.40 BSC		

CONTACT US

Dioo is a professional design and sales corporation for high-quality and performance analog semiconductors. The company focuses on industry markets, such as, cell phone, handheld products, laptop, and medical equipments and so on. Dioo's product families include analog signal processing and amplifying, LED drivers and charger IC. Go to <http://www.dioo.com> for a complete list of Dioo product families.

For additional product information, or full datasheet, please contact with our Sales Department or Representatives.

