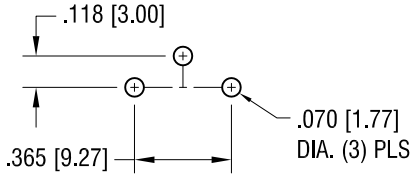
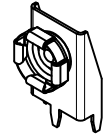
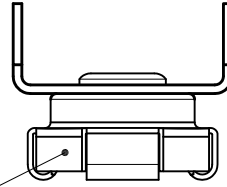


THIS DOCUMENT IS THE PROPERTY OF
KEYSTONE ELECTRONICS CORP. AND
SHALL NOT BE REPRODUCED, DISTRIBUTED
OR USED AS A BASIS FOR MANUFACTURE
WITHOUT PRIOR WRITTEN PERMISSION
FROM KEYSTONE ELECTRONICS CORP.

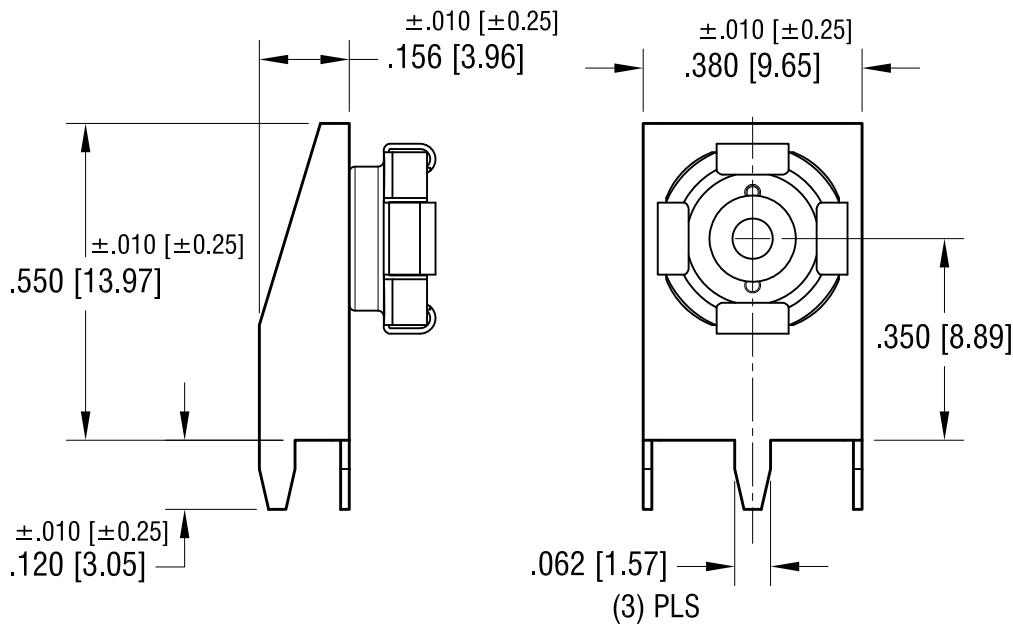
ACTUAL SIZE



MOUNTING DETAIL



SOCKET P/N 269



NOTE:

1. BASE - MAT'L: .015 [0.38] TH'K STEEL
FINISH: MATTE TIN PLATE
2. SOCKET - MAT'L: STEEL
FINISH: NICKEL PLATE

KEYSTONE ELECTRONICS CORP.

www.keyelco.com • NEW HYDE PARK, NY 11040 • Tel (516) 328-7500

PART NAME		9 VOLT FEMALE PC SNAP-ON	
MATERIAL		AS NOTED	
FINISH	AS NOTED	DRN BY	BOONE
		APP'D	LN
		DATE	12.08.98
		SCALE	3X
TOLERANCES	INCH [MM]	CODE	DWG NO.
DECIMAL	± .005 [± 0.13]	C	594
ANGULAR	± 1°		
UNLESS OTHERWISE SPECIFIED			

6.02.09	CHANGE AS PER ECN 09-041	A
DATE	DESCRIPTION	REV.