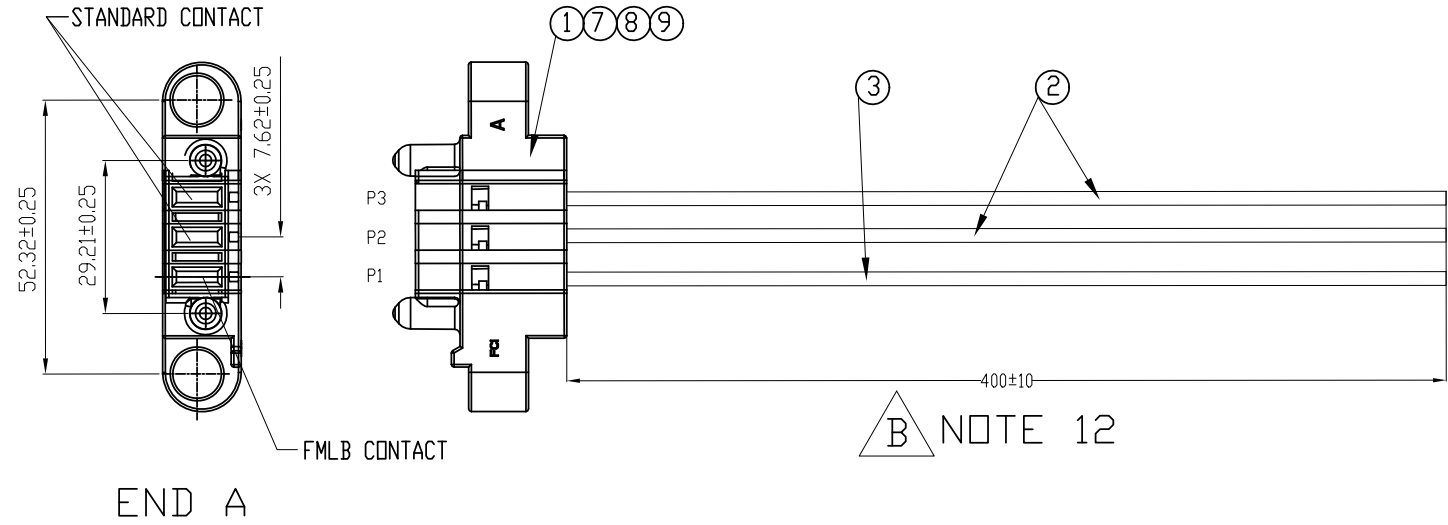


FCI CONFIDENTIAL

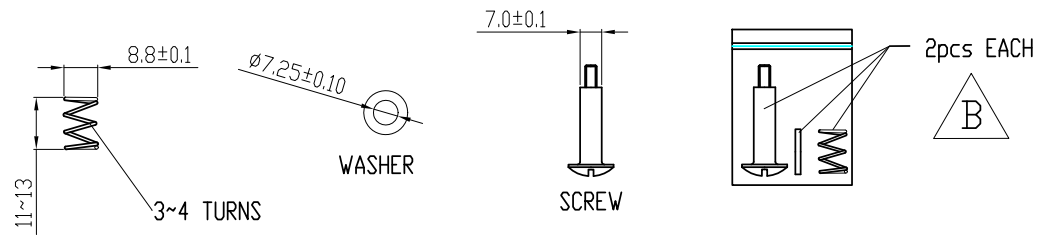
PRODUCT NUMBER
NOTE 3
10080594-4ED0199LF



END A

- P1 UL1015 10awg GREEN/YELLOW
- P2 UL1015 10awg BLACK
- P3 UL1015 10awg BLACK

3	PC	LOCK KEY, BLACK	9
2	PC	SHORT POWER TERMINAL, FOR 10awg WIRE, HIGH COPPER ALLOY, PLATING: Au 0.76um	8
1	PC	LONG POWER TERMINAL, FOR 10awg WIRE, HIGH COPPER ALLOY, PLATING: Au 0.76um	7
2	PC	COMPRESSION SPRING	6
2	PC	FLAT WASHER	5
2	PC	SHOULDER SCREW, #6-32UNC	4
NA	M	UL1015 10awg GREEN/YELLOW	3
NA	M	UL1015 10awg BLACK	2
1	PC	PwrBlade RECEPTACLE 3Acp	1
Qty	Unit	Description	Item



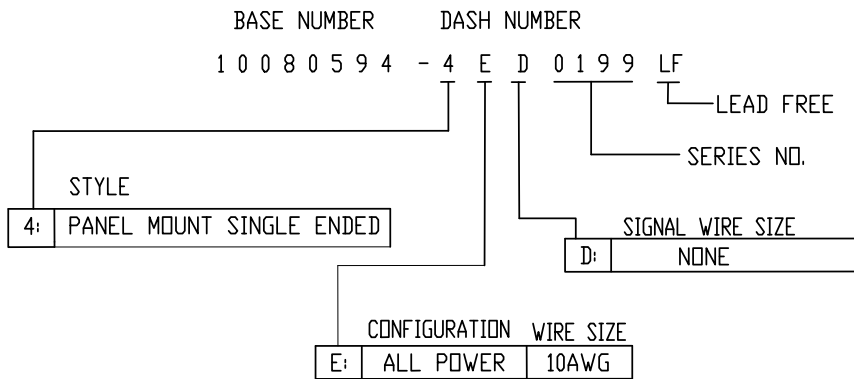
mat'l. code		surface	tolerance	projection	product family
		ISO 1302 ✓	ISO 406 ISO 1101		Power blade
l'tec'n no	dr	date	tolerances unless otherwise specified		title
B	ELX-N-006901	wilson	09-27/11	angles linear	PowerBlade 3Acp Cable Assembly
				MM	
				scale 4	
		dr	wilson	01-05'11	dwg no
		enr	wilson	01-05'11	sheet 1 of 2
		chr	wilson	01-05'11	size
		appd	Jackson		10080594-4ED0199LF
					A3
					Type Customer Drawing
sheet	revision	B			
index	sheet	1			

FCI
Copyright FCI
FCIconnect.com

NOTES:

- 1. END A MATES WITH FCI HEADER PART NUMBER XXXXX.
- 2. UNLESS OTHERWISE SPECIFIED ASSEMBLED LENGTH TOLERANCE =
 - < = 1 METER: ±15.0mm
 - > 1 METER TO 10 METER: ±2% OF L1
 - > 10 METER: +0.00% / -4% OF L1

3. PART NUMBER DESCRIPTION:



- 4. UNLESS OTHERWISE SPECIFIED LABEL POSITION SHALL BE APPROXIMATELY 50mm FROM REAR OF CONNECTOR.
- 5. UNLESS OTHERWISE SPECIFIED STANDARD LABEL SHALL BE BRADY LABEL P/N THT-10-427-3.
 LABEL DETAILS;
 - MANUFACTURER CODE OR NAME
 - FCI P/N
 - REVISION
 - DATE CODE WW/YY FORMAT
 - COUNTRY ORIGIN
 FONT SHALL BE CLEARLY VISABLE AND BLACK IN COLOR.

- 6. ALL CABLE ASSEMBLIES SHALL BE TESTED 100% FOR CONTINUITY AS DEFINED IN WIRING LIST.
- 7. UNLESS OTHERWISE SPECIFIED ALL CABLE ASSEMBLIES SHALL BE 100% HI-POT TESTED BY APPLYING 300V DC FOR MINIMUM OF 10ms, UNLESS ACTIVE COMPONENTS ARE USED IN THIS ASSEMBLY.
- 8. ALL CUSTOMER DRAWINGS ARE SUPPLIED WITH METRIC DIMENSIONS.
- 9. LEAD FREE PRODUCTS MEET EUROPEAN UNION DIRECTIVES AND OTHER COUNTRY REGULATIONS AS DESCRIBED IN GS-22-008.

PACKAGING OF LEAD FREE PRODUCTS MEETS LABELING AND PACKAGING SPECIFICATION GS-14-920.

- 10. CONNECTOR ASSEMBLIES SHOWN ARE FOR REFERENCE ONLY AND MAY NOT SHOW ALL PART DETAIL. REFERENCE CONNECTOR HOUSING DRAWINGS FOR COMPLETE DETAILS.
- 11. CONNECTOR ASSEMBLIES SHOWN ARE FOR REFERENCE ONLY AND MAY NOT SHOW ALL PART DETAIL. REFERENCE CONNECTOR HOUSING DRAWINGS FOR COMPLETE DETAILS.
- 12. ATTACH UL LABEL ON CARTON.
- 13. THIS DIMENSION IS A FINISHED PRODUCT LENGTH.

14. CABLE: UL APPROVED, TEMPERATURE RATING 105°C, 120V MIN.
HOUSING: HIGH TEMP. THERMOPLASTIC, UL94V-0 GLASS FILLED,
COLOR: BLACK
POWER CONTACTS: COPPER ALLOY

mat'l. code		surface ISO 1302 ✓		tolerance ISO 406 ISO 1101		projection		product family Power blade	
l/tec n no		dr		date		tolerances unless otherwise specified		title	
B						linear		PowerBlade 3Acp Cable Assembly	
						angles		MM	
								scale 4	
		dr		wilson		01-05'11		dwg no	
		enr		wilson		01-05'11		sheet 2 of 2	
		chr		wilson		01-05'11		10080594-4ED0199LF	
		appd		Jackson		01-05'11		A3	
sheet		revision		B				Type Customer Drawing	
index		sheet		2					