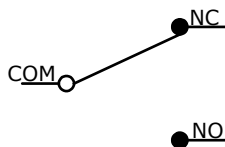


P.C. MOUNTING

O.P. (MM)	P.T. (MM)
9.5 ± 0.8	1.8 MAX.

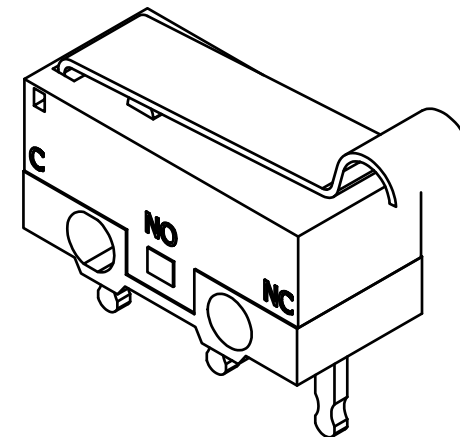
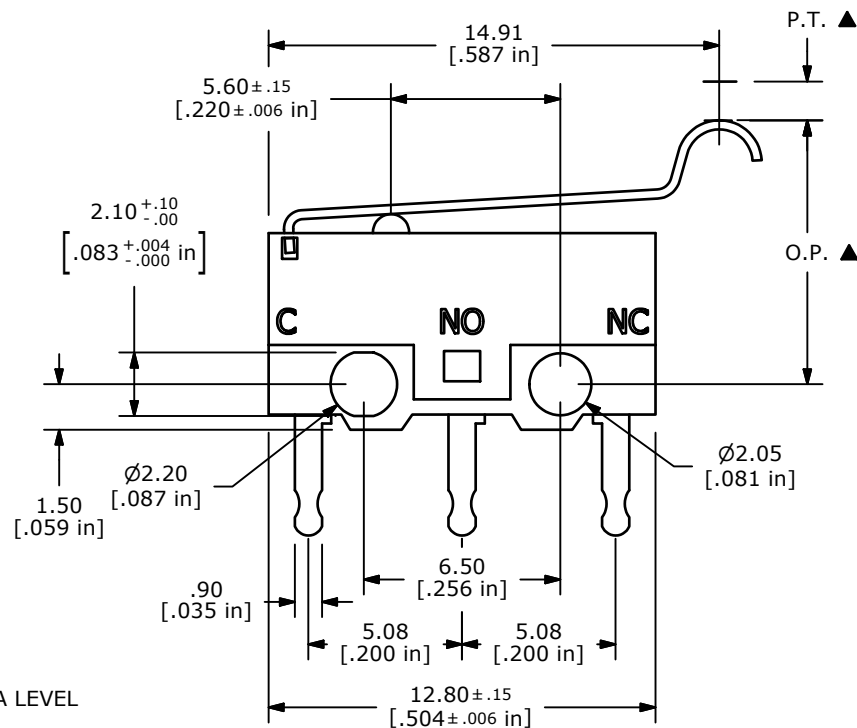
O.P. = OPERATING POINT
P.T. = PRE-TRAVEL



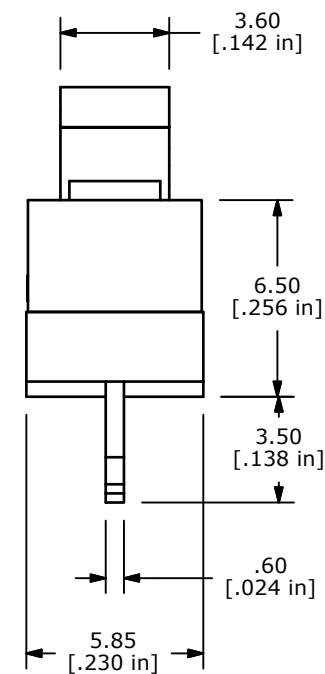
CIRCUIT: SPDT

NOTES:

1. ALL DIMENSIONS IN MM [INCH]
2. GENERAL TOLERANCE: X.X±0.4
X.XX±0.25
- ▲3. RATING: 3A @125VAC UL, CSA APPROVED
4. TERM. NOS. FOR REF. ONLY
- ▲5. OPERATING FORCE: 25±5 GRAMS
6. OPERATING TEMP: -25°C TO 85°C
7. ELECTRICAL LIFE: 10,000 CYCLES MIN.
8. MECHANICAL LIFE: 300,000 CYCLES MIN.
9. INSULATION RESISTANCE: 100 MEGA-OHMS
10. DIELECTRIC STRENGTH: 1000V RMS AT SEA LEVEL
11. ▲ DENOTES CRITICAL PARAMETER.
12. 2002/95/EC (ROHS) COMPLIANT
13. CONTACT MATERIAL SILVER



ISOMETRIC



REV	PCR NO	DESCRIPTION	DATE	BY
C	20204	UPDATE DRAWING	10/11/11	BMA
B	17473	REVISED AND REDRAWN	7/16/07	BF

THE INFORMATION CONTAINED IN THIS DOCUMENT IS PROPRIETARY TO E-SWITCH AND IS NOT TO BE COPIED OR TRANSFERRED



TITLE DM0850302F025P1A				
SCALE 4:1	DATE 7/16/2007	DR BF	DWG P030021	REV C