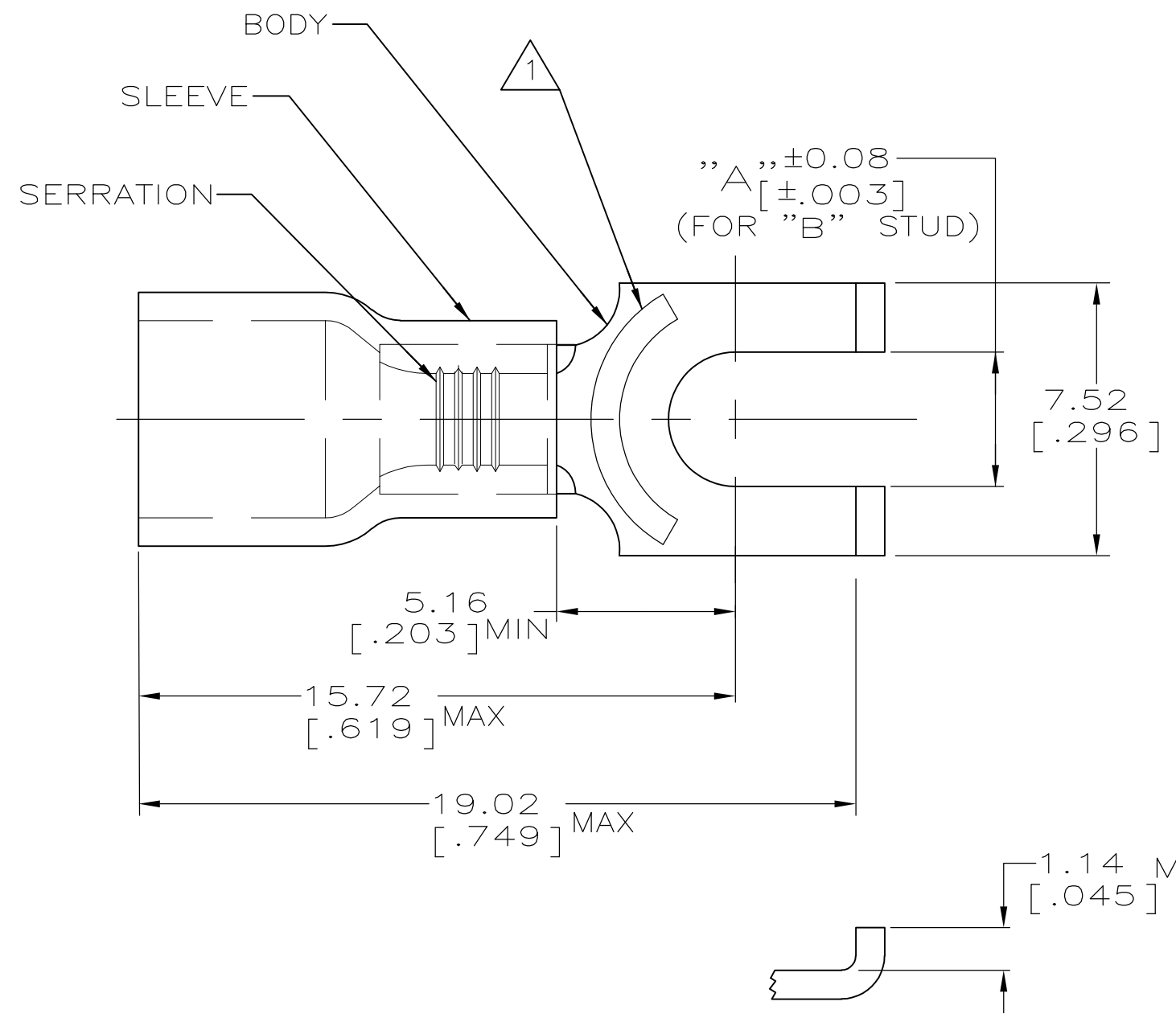


THIS DRAWING IS UNPUBLISHED. RELEASED FOR PUBLICATION
 © COPYRIGHT - By - ALL RIGHTS RESERVED.

| LOC | DIST | REVISIONS | | | | | |
|-----|------|-----------|-----|---------------------------|---------|-----|------|
| G | 14 | P | LTR | DESCRIPTION | DATE | DWN | APVD |
| | | | L1 | REVISED PER ECO-11-004820 | 11MAR11 | RK | HMR |



| | | |
|--------------------------------|--------------------------------|--------------------------------|
| AMP WIRE RANGE | Listed FILE E13288 | LR7189 Certified |
| 22-16 AWG SOLID OR STRANDED | 22-16 AWG SOLID OR STRANDED | 22-16 AWG SOLID OR STRANDED |

- 1 STAMP AMP 22-18* APPROX AS SHOWN
22-16 TERMINALS ARE STAMPED 22-18 IN
ACCORDANCE WITH MILITARY SPEC MIL-T-7928
COMMERCIAL WIRE RANGE IS 22-16
- 2. WIRE INSUL DIA, 2.67-3.56 [.105-.140]
- 3. TONGUE MATL THK, 0.79±0.05 [.031±.002]
- 4 MATERIAL: BODY - CU PER ASTM B152
SLEEVE - PVC, COLOR - RED

| | | | | | |
|-----|------|--------|------|-----------------|------------|
| #6 | 3.68 | [.145] | 100 | LOOSE PIECE,BOX | 8-322249-1 |
| #8 | 4.34 | [.171] | 5000 | ON TAPE,REEL | 1-322249-9 |
| #6 | 3.68 | [.145] | 5000 | ON TAPE,REEL | 1-322249-1 |
| #8 | 4.34 | [.171] | 1000 | LOOSE PIECE | 1-322249-0 |
| #6 | 3.68 | [.145] | 1000 | LOOSE PIECE | 322249 |
| "B" | "A" | | QTY | PACKAGE TYPE | PART NO |

| | | | | | | | |
|--|--|---|--|---|----------------------------|---|--------------------|
| AMP INCORPORATED CUSTOMER SERVICE SYSTEMS | | MAX RECOMMENDED OPERATING TEMPERATURE: 105°C | THIS DRAWING IS A CONTROLLED DOCUMENT. | | DWN L OLMEDA 05SEP95 | TE Connectivity | |
| FOR ADDITIONAL PRODUCT INFORMATION OR COPIES OF DRAWINGS AND TECHNICAL DOCUMENTS | PRODUCT INFORMATION CENTER 1-800-522-6752 | VOLTAGE RATING: 600V MAX (1000V FIXTURE OR SIGN) | DIMENSIONS: mm [INCHES] | TOLERANCES UNLESS OTHERWISE SPECIFIED: | CHK M ELLIS 05SEP95 | NAME | |
| FOR APPLICATION TOOLING INFORMATION | TOOLING ASSISTANCE CENTER 1-800-722-1111 | CIRCULAR MIL AREA: 0.26-1.65mm² [509-3260] SOLID OR STRANDED | | 0 PLC ± - 1 PLC ± - 2 PLC ± 0.20 [.008] 3 PLC ± - 4 PLC ± - ANGLES ± - | APVD G NGO 05SEP95 | TERMINAL, SPADE, FLANGED, PLASTI-GRIP, WIRE SIZE: 22-16 AWG | |
| FOR ORDER ENTRY | 1-800-526-5142 | THIS DRAWING IS A CONTROLLED DOCUMENT FOR AMP INCORPORATED. IT IS SUBJECT TO CHANGE AND THE CONTROLLING ENGINEERING ORGANIZATION SHOULD BE CONTACTED FOR THE LATEST REVISION. | MATERIAL | FINISH TIN PER ASTM B545 | PRODUCT SPEC UL 486A | SIZE A3 | CAGE CODE 00779 |
| | | | | | APPLICATION SPEC - | DRAWING NO C-322249 | RESTRICTED TO - |
| | | | | | WEIGHT - | SCALE 6:1 | SHEET 1 OF 1 |
| | | | | | CUSTOMER DRAWING | REV L1 | |