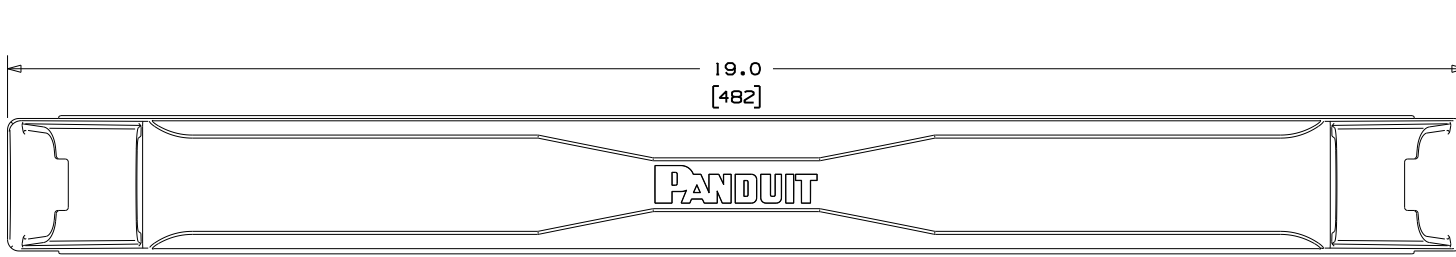
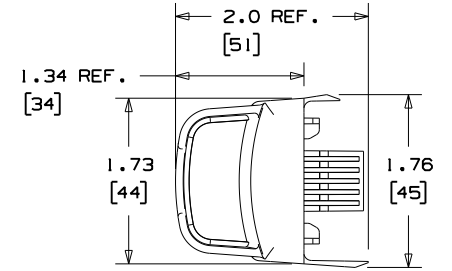


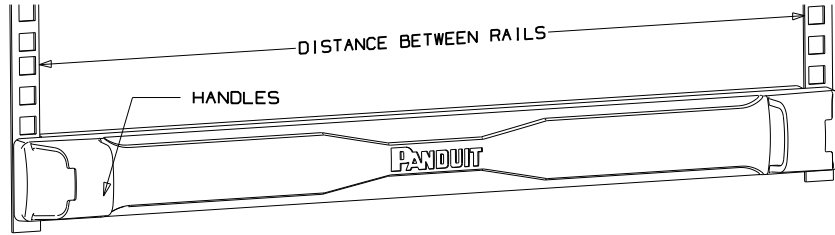
THIS COPY IS PROVIDED ON A RESTRICTED BASIS AND IS NOT TO BE USED IN ANY WAY DETRIMENTAL TO THE INTERESTS OF PANDUIT CORP.



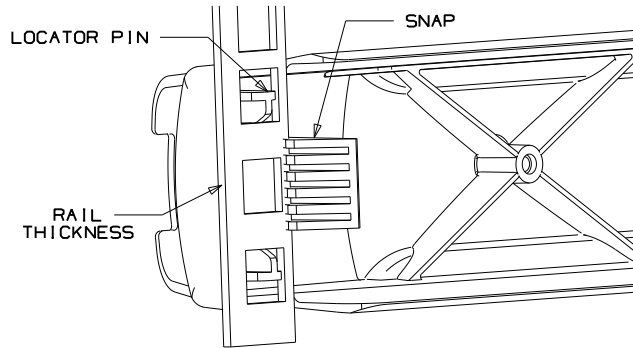
FRONT VIEW



RIGHT VIEW

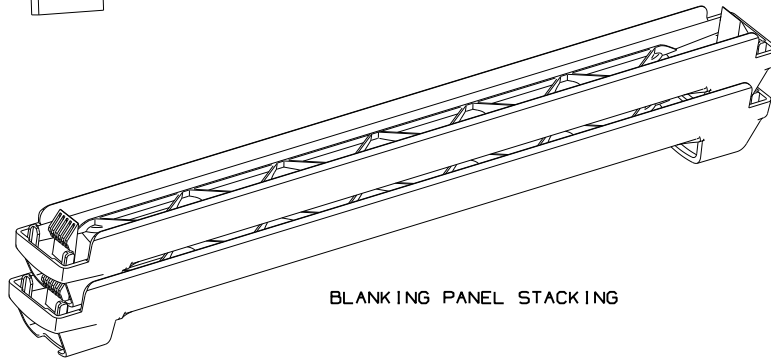


FRONT ISOMETRIC VIEW



NOTES:

- TOOL-LESS BLANKING PANEL TO BE USED IN CEA 310-E COMPLIANT 19" RACKS OR CABINETS.
- BEST IF INSTALLED UNDER THE FOLLOWING CONDITIONS:
 - DISTANCE BETWEEN RAILS: 17.72" - 17.88"
 - RAIL THICKNESS RANGE: .07" - .12"
- INSTALL THE BLANKING PANEL BY ALIGNING THE LOCATING PINS WITH MOUNTING HOLES AND PUSHING IT TOWARDS THE MOUNTING RAILS. THERE IS NO NEED TO REMOVE CAGE NUTS ON THE CABINET BEFORE INSTALLING THE TOOL-LESS BLANKING PANEL.
- VERIFY THAT THE PANEL IS CORRECTLY LOCATED IN A ONE RACK UNIT SPACE OF THE RACK OR CABINET. THE BACK FACE OF THE BLANKING PANELS MUST BE TOUCHING THE FACE OF THE RAILS.
- REMOVE THE BLANKING PANEL FROM THE MOUNTING RAILS BY PULLING FROM THE HANDLES LOCATED ON EACH SIDE OF THE PANEL.
- BLANKING PANELS CAN BE STACKED AS SHOWN FOR STORAGE.
- SEE CURRENT PRICE SHEET FOR PART NUMBER SUFFIX DESIGNATION FOR PACKAGING SIZE AND PRODUCT COLOR.



BLANKING PANEL STACKING

CAD FILENAME/LAYERS	G03634DA_DC_GB3634DA/19A
<h1>PANDUIT</h1> CORP. TINLEY PARK, ILLINOIS	
TLBP1S TOOL-LESS 1U BLANKING PANEL FOR SQUARE HOLES	

UNLESS OTHERWISE SPECIFIED,
 DIMENSIONAL TOLERANCES ARE:
 (.X) ± .1 (.XXX) ± .005
 (.XX) ± .03 ANGLES ± 1°

UNLESS OTHERWISE SPECIFIED,
 ALL DIMENSIONS ARE GIVEN
 IN INCHES, THIRD ANGLE PROJECTION.

19A	11/08/10	CR-MBA	DJW	NEW RELEASE	GB3634DA	19A	KLN			DRAWN BY CR-MBA	MAT'L: BLACK ABS	SCALE NONE
REV	DATE	BY	CHK	DESCRIPTION	ECN	R	CUST	SUP		DATE 11/09/10		DRAWING NO. GB3634DA
										CHK'D KLN		DWG A SIZE