

NOTES:

1. MATERIALS AND FINISHES:

- BODY, REAR BODY - BRASS, NICKEL PLATING
- CONTACT - BeCu, GOLD PLATING
- INSULATOR - PTFE
- INSULATOR REAR - ULTEM
- COUPLING NUT - BRASS, NICKEL PLATING
- CAP - BRASS, NICKEL PLATING
- GASKET, O-RING - SILICONE RUBBER
- FERRULE - SEAMLESS COPPER TUBE, NICKEL PLATING
- HEAT SHRINK TUBING - CROSSLINKED POLYOLEFIN

2. ELECTRICAL:

- A. IMPEDANCE: 50 OHM
- B. FREQUENCY RANGE: DC - 6 GHz
- C. DIELECTRIC WITHSTANDING VOLTAGE: 1000 VRMS, MIN.

3. MECHANICAL:

- A. DURABILITY: 500 CYCLES MIN.
- B. TEMPERATURE RANGE: -40° C TO +85° C

4. PACKAGING:

- A. QUANTITY: SINGLE PACK
- B. MARKING: BAG TO BE MARKED "AMPHENOL RF, 31-6378, AND DATE CODE"

5. CABLE ASSEMBLY INSTRUCTIONS:

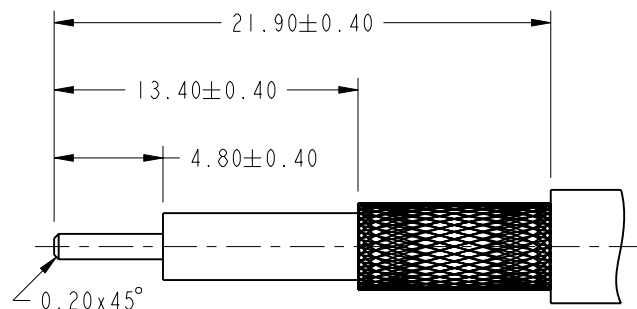
- A. TRIM CABLE AS SHOWN.
- B. SLIDE HEAT SHRINK TUBING, FERRULE & INSULATOR REAR ONTO CABLE.
- C. INSERT CABLE WITH FOIL ENTERING CONNECTOR AND BRAID OVER KNURL.
- D. SOLDER CONTACT TO CABLE CENTER CONDUCTOR.
- E. CRIMP FERRULE OVER BRAID WITH 0.213" HEX DIE.
- F. APPLY HEAT SHRINK TUBING OVER FERRULE.
- G. HEAT SHRINK TUBING SHOULD FULLY (360 DEG) COVER THE BUMP ON BODY AND END WITHIN AREA "A"

6. CAP ASSEMBLY INSTRUCTIONS:

- A. PLACE O-RING ON CAP AS SHOWN.
- B. ASSEMBLE CAP TO BODY WITH 16-32 IN-OZ TORQUE.

7. RECOMMENDED COUPLING TORQUE : 4-6 IN-LBS.

8. SHOWS CABLE ENTRY DIMENSIONS.

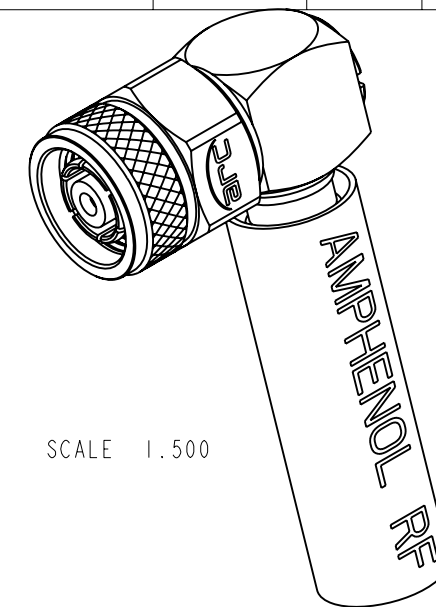
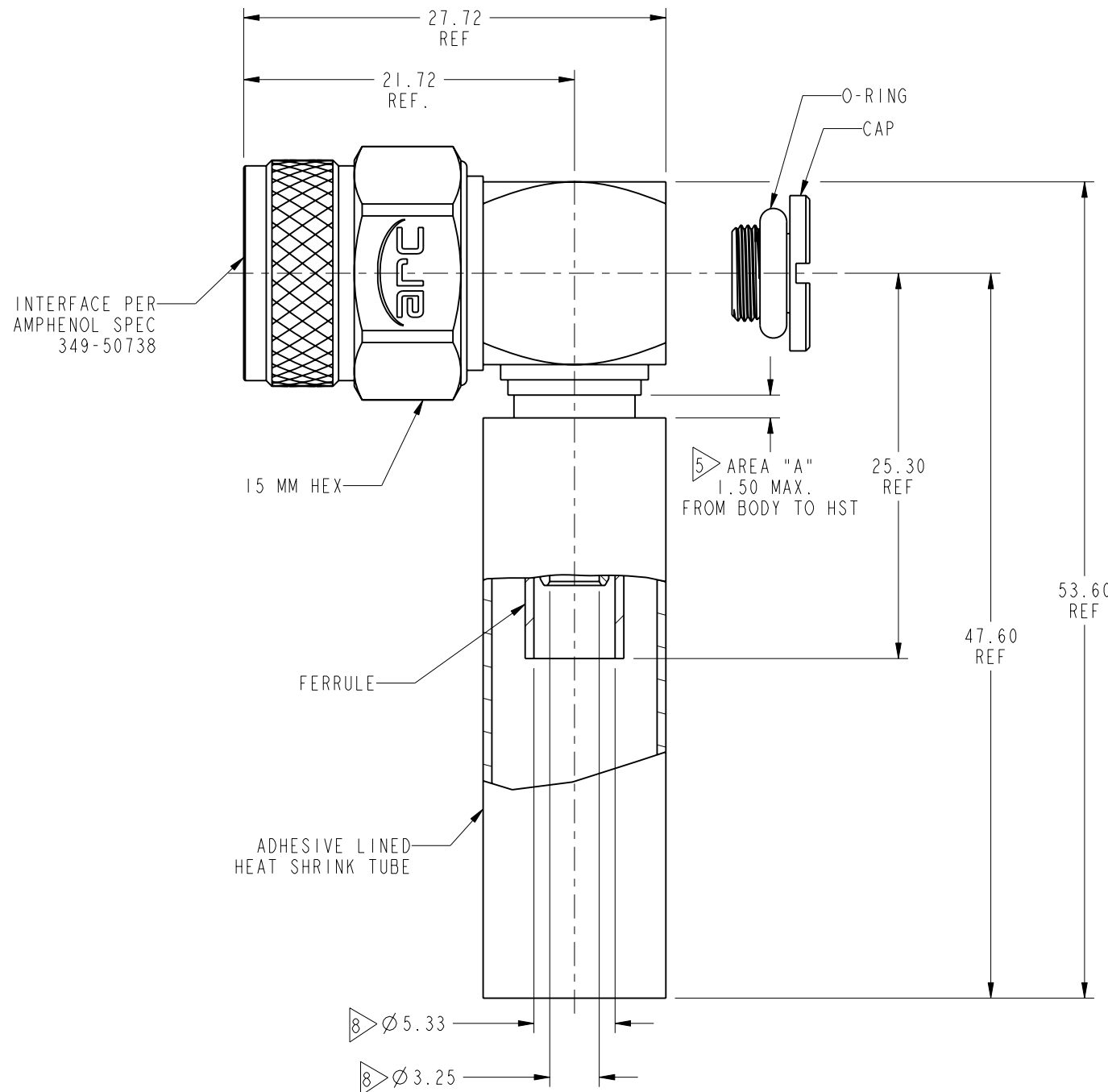


RECOMMENDED CABLE STRIPPING DIMENSIONS

THIRD ANGLE PROJ.

REVISIONS

REV	DESCRIPTION	DATE	ECO	APPR
A	RELEASE TO MFG.	18-Jul-12	48949	DD
B	ADDED ARC LOGO TO COUPLING NUT&HENOL RF TO HST RD-DM13022001R3	1-Mar-13	49418	RM



SCALE 1.500

CUSTOMER OUTLINE DRAWING

ALL OTHER SHEETS ARE FOR INTERNAL USE ONLY

<p>UNLESS OTHERWISE SPECIFIED, DIMENSIONS ARE IN METRIC AND TOLERANCES ARE: <0.5mm ±0.05mm 0.5 - 6mm ±0.1mm 6 - 30mm ±0.2mm 30 - 120mm ±0.3mm ANGLES ±1°</p>	MATERIAL	DRAWN R. MAO	DATE 27-Feb-13	<p>TITLE TNC R/A RP PLUG, IP-67 FOR LMR-200 CABLE</p>	<p>Amphenol RF www.amphenolrf.com</p>	
	REFERENCE	ENGINEER D. DAVE	DATE 09-Sep-11			DRAWING NO. 31-6504
<p>NOTICE - These drawings, specifications, or other data (1) are, and remain the property of Amphenol corp. (2) must be returned upon request; and (3) are confidential and not to be disclosed to any person other than those to whom they are given by Amphenol Corp. the furnishing of these drawings, specifications, or other data by Amphenol Corp., or to any other person to anyone for any purpose is not to be regarded by implication or otherwise in any manner licensing, granting rights to permitting such holder or any other person to manufacture, use or sell any product, process or design, patented or otherwise, that may in any way be related to or disclosed by said drawings, specifications, or other data.</p>	FINISH	APPROVED S. HSIEH	DATE 27-Feb-13	SCALE: 2.5:1.0 SHEET 2 OF 2	ITEM NO. 31-6504	
			CAD FILE		DWG SIZE B	REV B