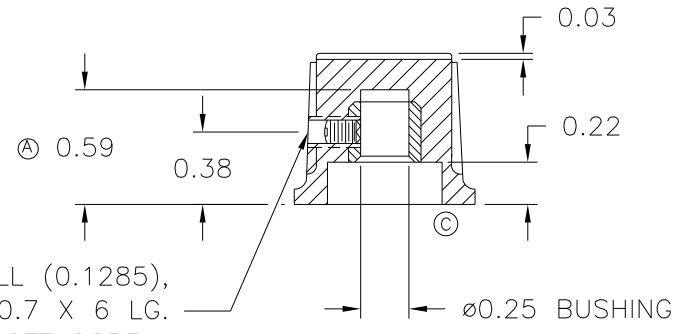


MATERIAL: PHENOLIC
COLOR: BLACK

USE #30 DRILL (0.1285),
M4 X 0.7 TAP, M4 X 0.7 X 6 LG.
(1) SLOTTED TYPE SET SCREW,

SECTION A-A



ⓑ

TOLERANCES: UNLESS OTHERWISE SPECIFIED	DO NOT SCALE DRAWING	C	REMOVED CBORE	JAM	1/24/03
		-	REMOVED ALTERNATE SET SCREW	JAM	8/6/01
DECIMALS: X.XXX ± .005 X.XX ± .015	MM: X.XX ± 0.15MM X.X ± 0.4MM	B	ALTERNATE WAS METRIC	JAM	6/5/01
		A	Added 19/32 Dim.	RP	7/8/97
FRACTIONS ± 1/64	ANG. ± 1°	CHANGES			