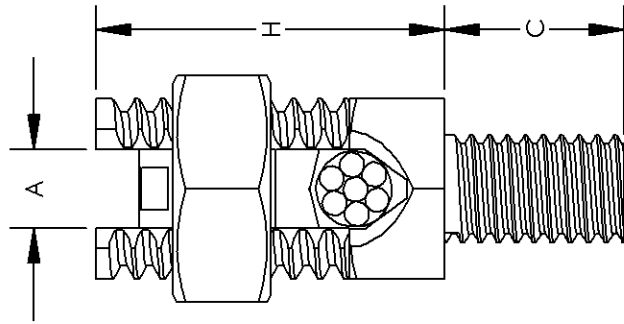


THIS COPY IS PROVIDED ON A RESTRICTED BASIS AND IS NOT TO BE USED IN ANY WAY DETRIMENTAL TO THE INTERESTS OF PANDUIT CORP.



LISTED  
SUITABLE FOR  
DIRECT BURIAL



CATALOG NUMBER	A CONDUCTOR RANGE	WIRE DIAMETER RANGE	STUD SIZE	HEX NUT		C		H		BODY HEX	
				IN	MM	IN	MM	IN	MM	IN	MM
SPI-8-C	12 SOL. - 8 STR.	.081 - .146	1/4-20	0.50	13	0.50	13	0.63	16	0.38	9
SPI-8L-C	12 SOL. - 8 STR.	.081 - .146	1/4-20	0.50	13	1.00	25	0.63	16	0.38	9
SPI-7-C	8 SOL. - 7 STR.	.128 - .164	1/4-20	0.69	17	0.50	13	0.88	22	0.50	13
SPI-7L-C	8 SOL. - 7 STR.	.128 - .164	1/4-20	0.69	17	1.00	25	0.88	22	0.50	13
SPI-4-C	10 SOL. - 4 STR.	.102 - .232	5/16-18	0.75	19	0.56	14	0.94	24	0.56	14
SPI-4L-C	10 SOL. - 4 STR.	.102 - .232	5/16-18	0.75	19	1.00	25	0.94	24	0.56	14
SPI-3-C	6 SOL. - 3 STR.	.162 - .260	3/8-16	0.81	21	0.63	16	1.06	27	0.63	16
SPI-3L-C	6 SOL. - 3 STR.	.162 - .260	3/8-16	0.81	21	1.13	29	1.06	27	0.63	16
SPI-2-C	4 STR. - 2 STR.	.232 - .292	3/8-16	0.88	22	0.63	16	1.06	27	0.69	17
SPI-2L-C	4 STR. - 2 STR.	.232 - .292	3/8-16	0.88	22	1.13	29	1.06	27	0.69	17
SPI-1/0-L	6 SOL. - 1/0 STR.	.162 - .375	1/2-13	1.00	25	0.75	19	1.31	33	0.75	19
SPI-1/0L-L	6 SOL. - 1/0 STR.	.162 - .375	1/2-13	1.00	25	1.25	32	1.31	33	0.75	19
SPI-2/0-Q	1 SOL. - 2/0 STR.	.289 - .419	1/2-13	1.13	29	0.75	19	1.44	37	0.88	22
SPI-2/0L-Q	1 SOL. - 2/0 STR.	.289 - .419	1/2-13	1.13	29	1.25	32	1.44	37	0.88	22
SPI-4/0-Q	3/0 SOL. - 4/0 STR.	.410 - .528	5/8-11	1.38	35	1.00	25	1.69	43	1.13	29
SPI-4/0L-Q	3/0 SOL. - 4/0 STR.	.410 - .528	5/8-11	1.38	35	1.50	38	1.69	43	1.13	29
SPI-350-12	4/0 STR. - 350 kcmil	.528 - .682	5/8-11	1.50	38	1.00	25	2.00	51	1.25	32
SPI-350L-12	4/0 STR. - 350 kcmil	.528 - .682	5/8-11	1.50	38	1.50	38	2.00	51	1.25	32
SPI-500-12	250 kcmil - 500 kcmil	.575 - .815	3/4-10	1.81	46	1.38	35	2.31	59	1.50	38
SPI-500L-12	250 kcmil - 500 kcmil	.575 - .815	3/4-10	1.81	46	1.75	44	2.31	59	1.50	38

**NOTES:**

1. MATERIAL: HIGH COPPER CONTENT  
HARD DRAWN ROD
2. USED FOR CONNECTING CONDUCTORS  
TO VARIOUS SIZES OF TAPPED HOLE

02	10/08	JHNU JHNU	REVISED UL LISTING CONVERTED DWG. TO SOLIDWORKS									
01	9/97	JKD	REMOVED SSS-11, SSS-11 AT, SSS-12, SSS-12 AT REPLACED CATALOG NUMBERS WITH FINISHED PART NUMBERS									
00	7/97	TM	DWG. RELEASED									
REV	DATE	BY	CHK	DESCRIPTION	ECN	SCALE	N/A	DRAWING NO / CAD FILE	C41213_02			

**PANDUIT CORP. TINLEY PARK, ILLINOIS**  
BRONZE SERVICE POST CONNECTORS, TYPE SPI  
CUSTOMER DRAWING