

4

3

2

1

THIS DRAWING IS UNPUBLISHED.

RELEASED FOR PUBLICATION

© COPYRIGHT - By -

ALL RIGHTS RESERVED.

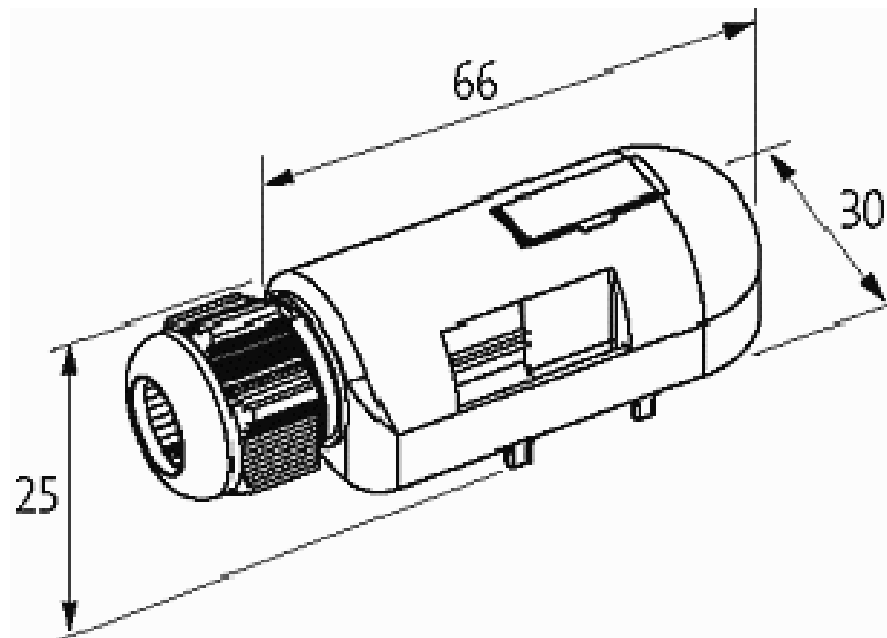
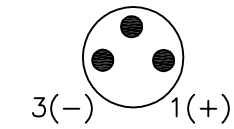
LOC	DIST	REVISIONS			
P	LTR	DESCRIPTION	DATE	DWN	APVD
H	-	A	INITIAL RELEASE	14JAN2014	GSK BvH

NOTE:
Pre-wired cap for 8xM8 Cable 8x0.34+2x0.75

Contact Layout

M8-Females 3-pole

4(N/O)



121110987654321

PUR cable 5m	2273145-1
DESCRIPTION	TE PN

THIS DRAWING IS A CONTROLLED DOCUMENT.		DWN	14JAN2014	STE TE Connectivity	
		CHK	14JAN2014		
DIMENSIONS: mm		TOLERANCES UNLESS OTHERWISE SPECIFIED:		NAME	
		0 PLC ± -		A.VAN ZANDVOORT	
		1 PLC ± -		PRODUCT SPEC	
		2 PLC ± -		APPLICATION SPEC	
		3 PLC ± -		SIZE	
		4 PLC ± -		CAGE CODE	
		ANGLES ± -		DRAWING NO	
MATERIAL		FINISH		RESTRICTED TO	
				A3 00779 C=2273145	
		WEIGHT		SCALE	
				NTS	
CUSTOMER DRAWING		SHEET		1 of 1	
		REV		A	