

### DESCRIPTION

The MP4026 is a primary-side-control, offline LED controller that achieves high-power factor and accurate LED current for isolated, single-power-stage lighting applications in a tiny TSOT23-6 package. It is the next generation of the successful MP4021A. The proprietary real-current-control method accurately controls LED current from primary-side information with good line and load regulation. The primary-side-control eliminates the secondary-side feedback components and the opto-coupler to significantly simplify LED-lighting-system design.

The MP4026 integrates power-factor correction and works in valley switching mode to reduce MOSFET switching losses.

The MP4026's multiple protection features greatly enhance system reliability and safety. These features include over-voltage protection, short-circuit protection, primary-side over-current protection, brown out protection, cycle-by-cycle current limiting,  $V_{CC}$  under-voltage lockout, and auto-restart over-temperature protection.

### FEATURES

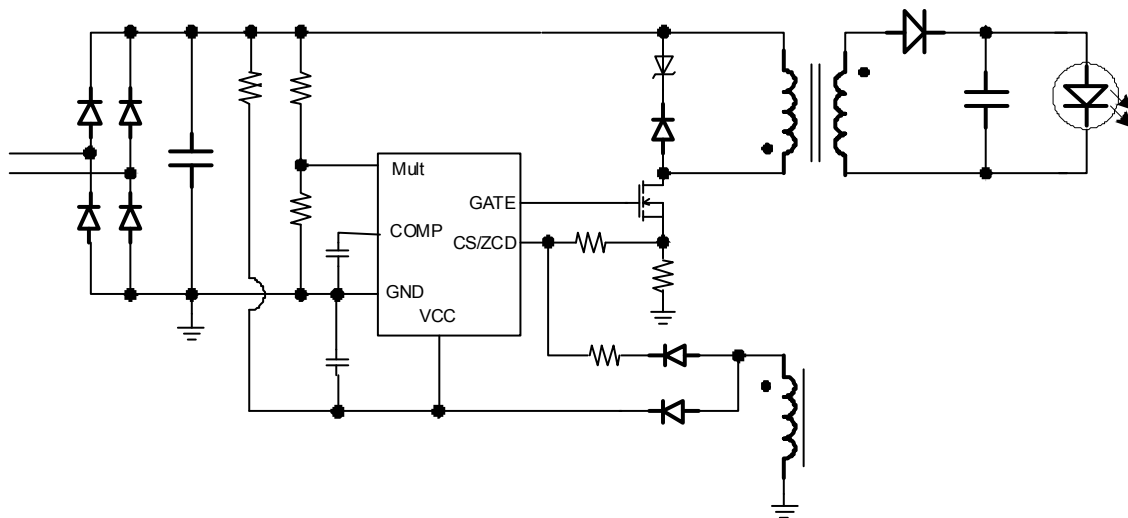
- Real-Current Control without Secondary-Feedback Circuit
- Good Line/Load Regulation
- High Power Factor ( $\geq 0.9$ ) over Universal Input Voltage
- Valley Switching Mode for Improved Efficiency
- Brown-Out Protection
- Over-Voltage Protection
- Short-Circuit Protection
- Over-Temperature Protection
- Primary-Side Over-Current Protection
- Cycle-by-Cycle Current Limit
- Input UVLO
- Available in TSOT23-6

### APPLICATIONS

- Industrial and Commercial Lighting
- Residential Lighting

All MPS parts are lead-free, halogen free, and adhere to the RoHS directive. For MPS green status, please visit MPS website under Quality Assurance. "MPS" and "The Future of Analog IC Technology" are Registered Trademarks of Monolithic Power Systems, Inc.

### TYPICAL APPLICATION CIRCUIT



### ORDERING INFORMATION

Part Number	Package	Top Marking
MP4026GJ*	TSOT23-6	See Below

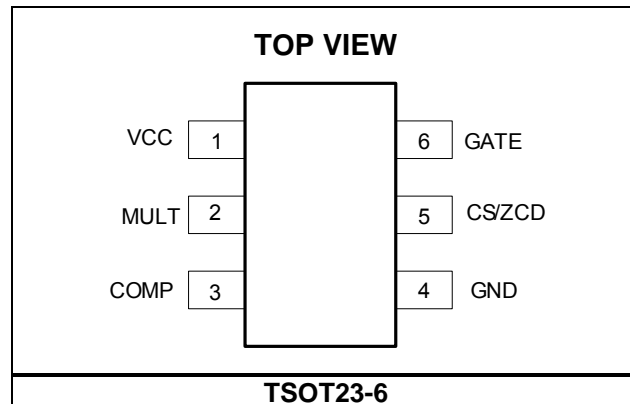
\* For Tape & Reel, add suffix -Z (e.g. MP4026GJ-Z);

### TOP MARKING

**|AFSY**

AFS: product code of MP4026GJ;  
Y: year code.

### PACKAGE REFERENCE



**ABSOLUTE MAXIMUM RATINGS <sup>(1)</sup>**

Input Voltage $V_{CC}$ .....	-0.3V to +30V
Gate Drive Voltage .....	-0.3V to +17V
ZCD Pin .....	-0.3V to 6.5V
Other Analog Inputs and Outputs ..	-0.3V to 6.5V
Max. Gate Source Current .....	0.8A
Max. Gate Sink Current .....	-1A
Continuous Power Dissipation ( $T_A = +25^\circ\text{C}$ ) <sup>(2)</sup>	
TSOT23-6 .....	1.25W
Junction Temperature .....	150°C
Lead Temperature .....	260°C
Storage Temperature .....	-65°C to +150°C

**Recommended Operating Conditions <sup>(3)</sup>**

Supply Voltage $V_{CC}$ .....	12V to 28V
Operating Junction Temp. ( $T_J$ ) ..	-40°C to +125°C

<b>Thermal Resistance <sup>(4)</sup></b>	<b><math>\theta_{JA}</math></b>	<b><math>\theta_{JC}</math></b>
TSOT23-6 .....	100....	55.. °C/W

**Notes:**

- 1) Exceeding these ratings may damage the device.
- 2) The maximum allowable power dissipation is a function of the maximum junction temperature  $T_J$  (MAX), the junction-to-ambient thermal resistance  $\theta_{JA}$ , and the ambient temperature  $T_A$ . The maximum allowable continuous power dissipation at any ambient temperature is calculated by  $P_D$  (MAX) =  $(T_J$  (MAX) -  $T_A$ ) /  $\theta_{JA}$ . Exceeding the maximum allowable power dissipation will cause excessive die temperature, and the regulator will go into thermal shutdown. Internal thermal shutdown circuitry protects the device from permanent damage.
- 3) The device is not guaranteed to function outside of its operating conditions.
- 4) Measured on JESD51-7, 4-layer PCB.

## ELECTRICAL CHARACTERISTICS

Typical values are at  $V_{CC} = 20V$ ,  $T_J = +25^{\circ}C$ , unless otherwise noted.

Minimum and maximum values are at  $V_{CC} = 20V$ ,  $T_J = -40^{\circ}C$  to  $+125^{\circ}C$ , unless otherwise noted, guaranteed by characterization.

Parameter	Symbol	Condition	Min	Typ	Max	Units
<b>Supply Voltage</b>						
Operating Range	$V_{CC}$	After turn on	12		28	V
Turn-On Threshold	$V_{CC\_ON}$	$V_{CC}$ rising edge	23	24.9	28	V
Turn-Off Threshold	$V_{CC\_OFF}$	$V_{CC}$ falling edge	8.2	9.3	10.8	V
Hysteretic Voltage	$V_{CC\_HYS}$		14.2	15.6	17.3	V
<b>Supply Current</b>						
Start-up Current	$I_{STARTUP}$	$V_{CC} = V_{CC\_ON} - 1V$		20	50	$\mu A$
Quiescent Current	$I_Q$	No switching		0.6	0.82	mA
Operating Current Under Fault Condition		No switching		2		mA
Operating Current	$I_{CC}$	$f_s = 70kHz$ , $C_{GATE} = 1nF$		2	3	mA
<b>Multiplier</b>						
Linear Operation Range	$V_{MULT}$		0		3	V
Gain	$K^{(5)}$			1.3		1/V
Brown-Out Protection Threshold			280	300	316	mV
Brown-Out Detection Time			25	42	60	ms
Brown-Out-Protection-Hysteretic Voltage			90	100	110	mV
<b>Error Amplifier</b>						
Feedback Voltage	$V_{FB}$		0.401	0.413	0.425	V
Transconductance <sup>(6)</sup>	$G_{EA}$			125		$\mu A/V$
Upper Clamp Voltage	$V_{COMP\_H}$		4.5	4.75	5.1	V
Lower Clamp Voltage	$V_{COMP\_L}$		1.42	1.5	1.58	V
Max. Source Current <sup>(6)</sup>	$I_{COMP}$			50		$\mu A$
Max. Sink Current <sup>(6)</sup>	$I_{COMP}$			-200		$\mu A$
<b>Current Sense Comparator and Zero Current Detector</b>						
CS/ZCD Bias Current	$I_{BIAS\_CS/ZCD}$				500	nA
Leading-Edge-Blanking Time	$t_{LEB\_CS}$		200	320	550	ns
Current-Sense-Clamp Voltage	$V_{CS\_CLAMP}$		1.9	2.0	2.1	V
Over-Current-Protection, Leading-Edge-Blanking Time	$t_{LEB\_CSOCP}$		130	200	380	ns
Over-Current-Protection Threshold	$V_{CS\_OCP}$		2.4	2.5	2.6	V
Zero-Current-Detection Threshold	$V_{ZCD\_T}$	$V_{ZCD}$ falling edge	0.270	0.295	0.318	V
Zero-Current-Detect Hysteresis	$V_{ZCD\_HYS}$		562	595	628	mV

**ELECTRICAL CHARACTERISTICS** *(continued)*

 Typical values are at  $V_{CC} = 20V$ ,  $T_J = +25^{\circ}C$ , unless otherwise noted.

 Minimum and maximum values are at  $V_{CC} = 20V$ ,  $T_J = -40^{\circ}C$  to  $+125^{\circ}C$ , unless otherwise noted, guaranteed by characterization.

Parameter	Symbol	Condition	Min	Typ	Max	Units
ZCD Blanking Time	$t_{LEB\_ZCD}$	After turn-off, $V_{MULT\_O} > 0.3V$	1.2	1.6	2.1	$\mu s$
	$t_{LEB\_ZCD}$	After turn-off, $V_{MULT\_O} \leq 0.3V$	0.6	0.8	1.1	$\mu s$
Over-Voltage Blanking Time	$t_{LEB\_OVP}$	After turn-off, $V_{MULT\_O} > 0.3V$	1.2	1.6	2.1	$\mu s$
	$t_{LEB\_OVP}$	After turn-off, $V_{MULT\_O} \leq 0.3V$	0.6	0.8	1.1	$\mu s$
Over-Voltage Threshold	$V_{ZCD\_OVP}$	1.6 $\mu s$ delay after turn-off	4.9	5.1	5.4	V
Minimum Off Time	$t_{OFF\_MIN}$		4	5.5	8	$\mu s$
<b>Starter</b>						
Start-Timer Period	$t_{START}$			190		$\mu s$
<b>Gate Driver</b>						
Output-Clamp Voltage	$V_{GATE\_CLAMP}$	$V_{CC} = 28V$	13	14.5	17	V
Minimum-Output Voltage	$V_{GATE\_MIN}$	$V_{CC} = V_{CC\_OFF} + 50mV$	6.7			V
Max. Source Current <sup>(6)</sup>	$I_{GATE\_SOURCE}$			0.8		A
Max. Sink Current <sup>(6)</sup>	$I_{GATE\_SINK}$			-1		A
<b>Thermal Shutdown</b>						
Thermal Shutdown Threshold <sup>(7)</sup>	$T_{SD}$			150		$^{\circ}C$
Thermal Shutdown Recovery Hysteresis <sup>(7)</sup>	$T_{HYS}$			25		$^{\circ}C$

**Notes:**

 5) The multiplier output is given by:  $V_{CS} = k * V_{MULT} * (V_{COMP} - 1.5)$ 

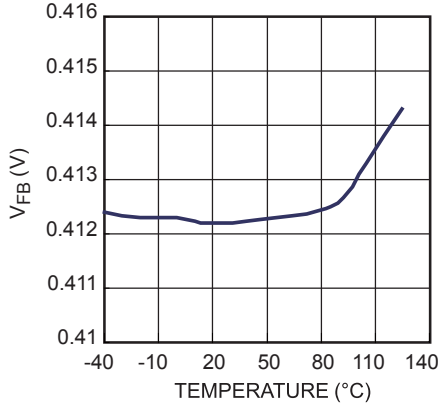
6). Guaranteed by design.

7). Guaranteed by characterization.

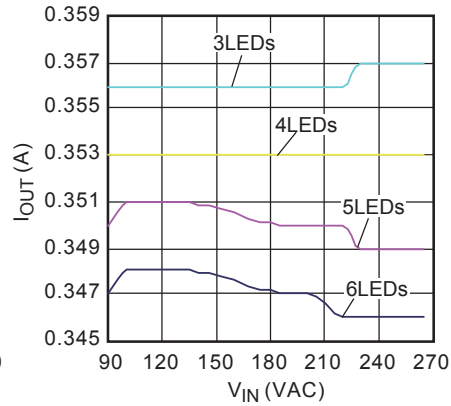
## TYPICAL PERFORMANCE CHARACTERISTICS

$V_{IN} = 90V-265V$ ,  $V_{OUT} = 10-20V$ ,  $I_{LED}=350mA$ ,  $T_A = 25^\circ C$ , unless otherwise noted.

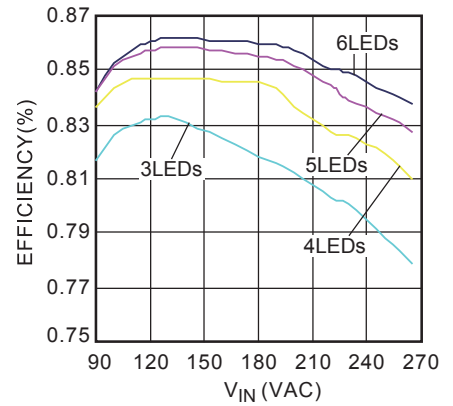
$V_{FB}$  Temperature Tendency



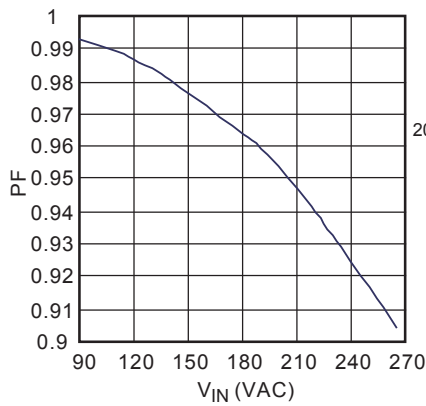
Line/Load Regulation



Efficiency

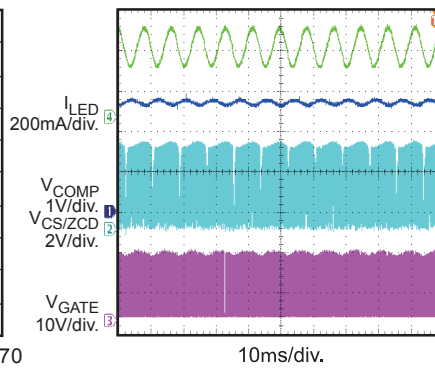


PF @Full Load



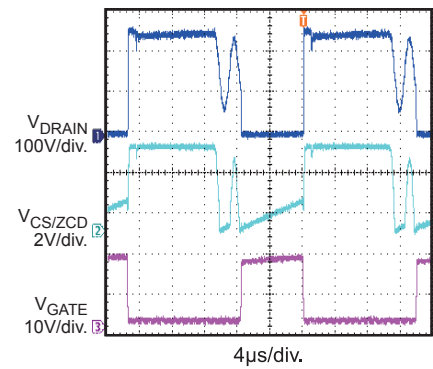
Steady State

$V_{IN} = 110V$



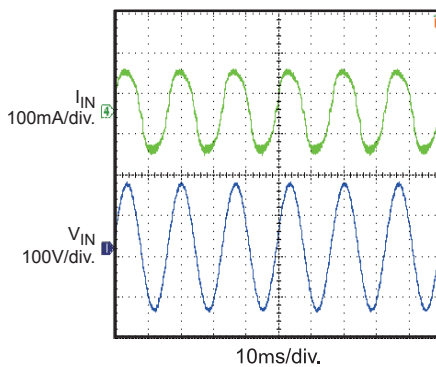
Steady State

$V_{IN} = 110V$



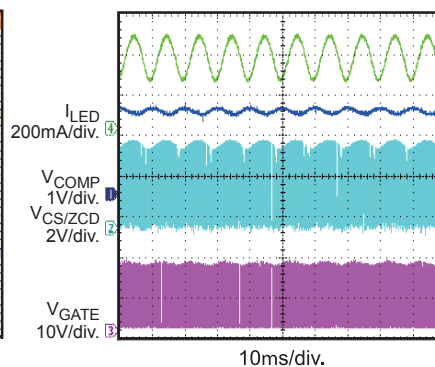
Steady State

$V_{IN} = 110V$



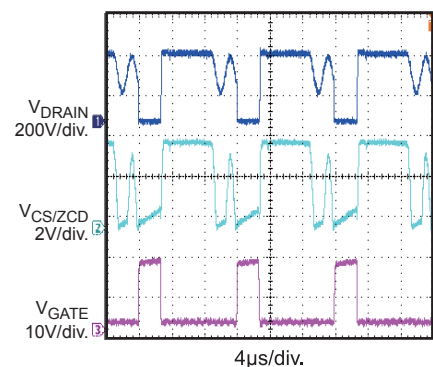
Steady State

$V_{IN} = 230V$

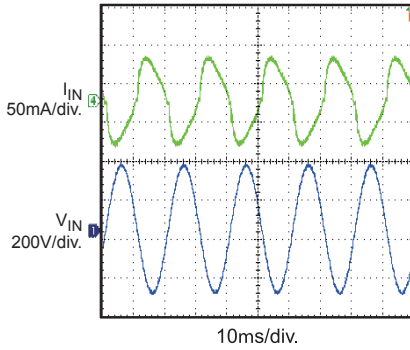
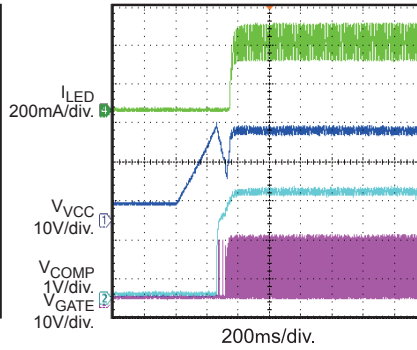
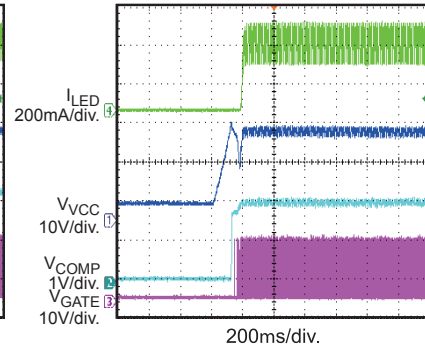
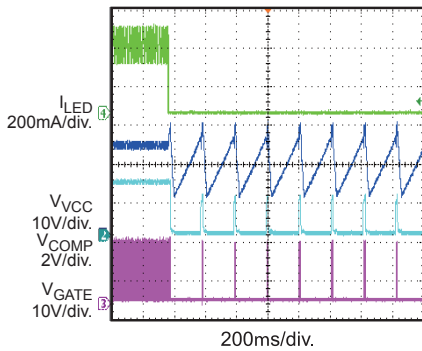
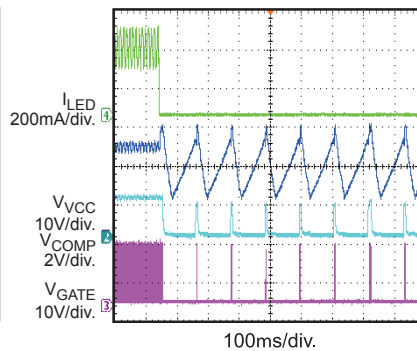
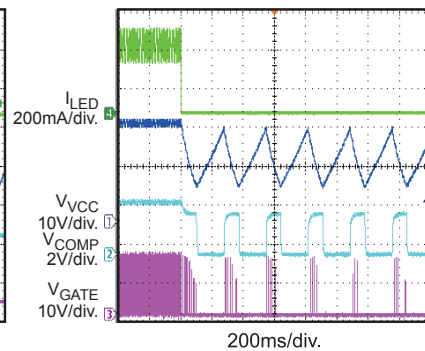
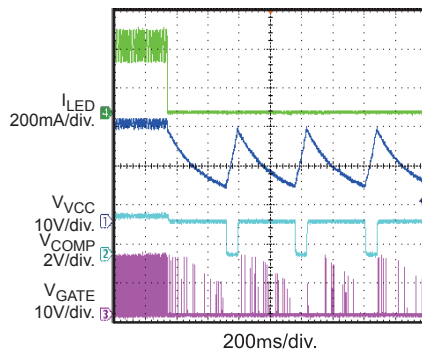
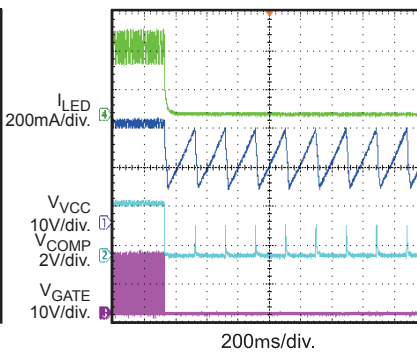
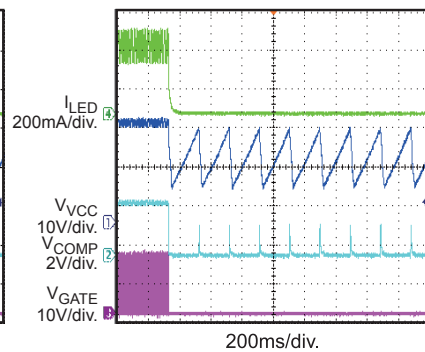


Steady State

$V_{IN} = 230V$



**TYPICAL PERFORMANCE CHARACTERISTICS (continued)**
 $V_{IN} = 90V-265V$ ,  $V_{OUT} = 10-20V$ ,  $I_{LED}=350mA$ ,  $T_A = 25^{\circ}C$ , unless otherwise noted.

**Steady State**  
 $V_{IN} = 230V$ 

**VIN Start up**  
 $V_{IN} = 110V$ 

**VIN Start up**  
 $V_{IN} = 230V$ 

**Open LED Protection**  
 $V_{IN} = 110V$ , Open LED @ Working

**Open LED Protection**  
 $V_{IN} = 230V$ , Open LED @ Working

**Short Circuit Protection**  
 $V_{IN} = 110V$   
 Short LED+ to LED- @ Working

**Short Circuit Protection**  
 $V_{IN} = 230V$   
 Short LED+ to LED- @ Working

**Primary-Side OCP Protection**  
 $V_{IN} = 110V$   
 Short primary winding @ Working

**Primary-Side OCP Protection**  
 $V_{IN} = 230V$   
 Short primary winding @ Working


## PIN FUNCTIONS

Pin	Name	Description
1	VCC	Power Supply. Supplies power for the control signals and the high-current MOSFET. Bypass to ground with an external bulk capacitor (typically 4.7 $\mu$ F).
2	MULT	Input Voltage Sense. Connect to the tap of resistor divider between the rectified AC line and GND. The half-wave sinusoid provides a reference signal for the internal-current-control loop. The MULT pin is also used for brown-out protection detection.
3	COMP	Loop Compensation. Connect a compensation network to stabilize the LED driver and maintain an accurate LED current.
4	GND	Ground. Current return for the control signal and the gate-drive signal.
5	CS/ZCD	Current Sense or Zero-Current Detection. When the gate driver turns on, a sensing resistor senses the MOSFET current. The comparison between the sensed voltage and the internal sinusoidal-current reference determines when the MOSFET turns off. If the pin voltage exceeds the current limit (2.0V, after turn-on blanking) the gate drive turns off. When the gate driver turns off, the negative falling-edge (after the blanking time) triggers the external MOSFET's turn-on signal. Connect this pin to a resistor divider through a diode between the auxiliary winding and GND. Over-voltage condition is detected through ZCD. For every turn-off interval, if the ZCD voltage exceeds the over-voltage-protection threshold after the 1.6 $\mu$ s ( $V_{mult\_o} > 0.3V$ ) or 0.8 $\mu$ s ( $V_{mult\_o} \leq 0.3V$ ) blanking time, over-voltage protection triggers and the system stops switching until auto-restart. CS/ZCD is also used for primary-side over-current-protection, if the sensing voltage reaches to 2.5V after a blanking time at gate turn-on interval, the primary-side over-current-protection triggers and the system stops switching until auto-restart. A 10pF ceramic cap is recommended to connect from CS/ZCD to GND to bypass the high frequency noise. In order to reduce the RC delay influence to the sample accuracy of the current sensing signal, the CS/ZCD down side resistance ( $R_{ZCD2}$ in figure 7) is suggested to be selected as small as 1k $\Omega$ .
6	GATE	Gate Drive Output. This totem-pole output stage can drive a high-power MOSFET with a peak current of 0.8A source and 1A sink. The high-voltage limit is clamped to 14.5V to avoid excessive gate-drive voltage. The low-voltage is higher than 6.7V to guarantee a sufficient drive capacity.



FUNCTION DIAGRAM

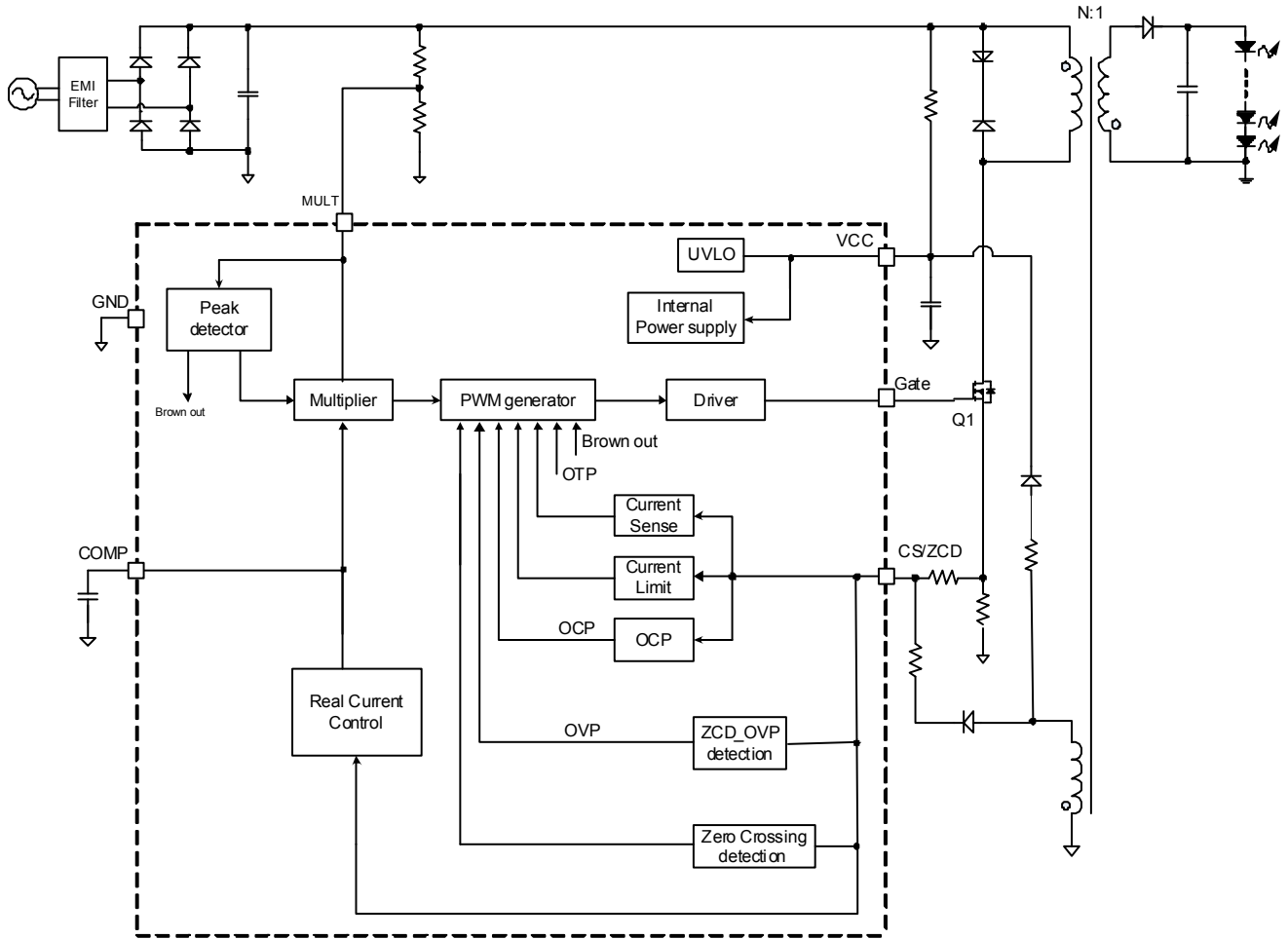


Figure 1—MP4026 Function Block Diagram

## OPERATION

The MP4026 is a primary-side-controlled, offline LED controller for high-performance LED lighting. It has primary-side real-current control for accurate LED current regulation. It also has active power factor correction (PFC) to eliminate harmonic noise on the AC line. The rich protections can achieve a high safety and reliability in real application.

### Start Up

Initially, AC line charges up  $V_{CC}$  through the start-up resistor. When  $V_{CC}$  reaches 24.9V, the control logic starts. Then the power supply is taken over by the auxiliary winding when the voltage of auxiliary winding builds up.

The MP4026 will shut down when  $V_{CC}$  drops below 9.3V.

The high hysteretic voltage allows for a small VCC capacitor (typically 4.7 $\mu$ F) to shorten the start-up time.

### Valley Switching Mode

During the external MOSFET ON-time ( $t_{ON}$ ), the rectified-input voltage ( $V_{BUS}$ ) charges the primary-side inductor ( $L_P$ ) causing the primary-side current ( $I_{PRI}$ ) to increase linearly from zero to peak value ( $I_{PK}$ ). When the MOSFET turns off, the energy stored in the inductor is transferred to the secondary-side, which activates the secondary-side diode to power the load. The secondary current ( $I_{SEC}$ ) decreases linearly from its peak value to zero. When the secondary current decreases to zero, the MOSFET drain-source voltage starts oscillating, which is caused by the primary-side magnetizing inductance and parasitic capacitances—the voltage ring also is reflected on the auxiliary winding (see Figure 2). To improve primary-control precision, the chip monitors when ZCD voltage falls to zero twice before the next switching period. The zero-current detector from CS/ZCD generates GATE turn-on signal when the ZCD voltage falls below 0.295V the second time (see Figure 3).

This virtually eliminates switch turn-on loss and diode reverse-recovery losses, ensuring high efficiency and low EMI noise.

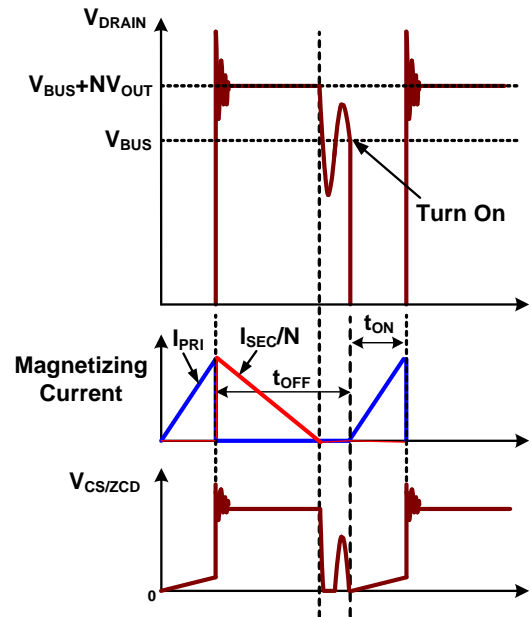


Figure 2: Valley Switching Mode

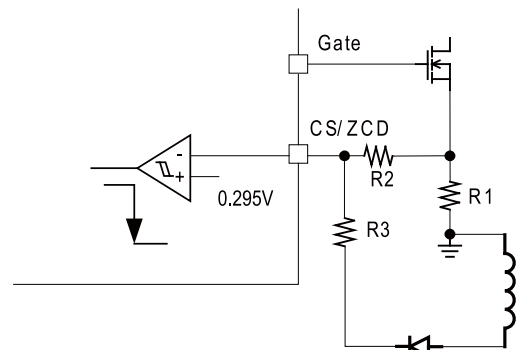


Figure 3: Zero-Current Detector

### Real-Current Control

The proprietary real-current-control method allows the MP4026 to control the secondary-side LED current using primary-side information. The mean output LED current is approximately:

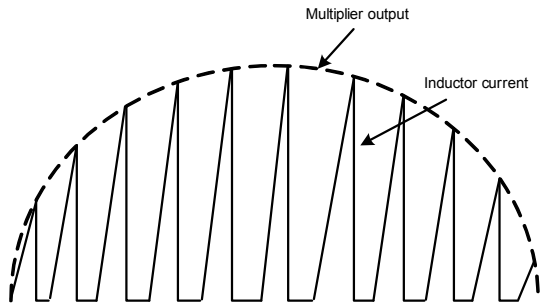
$$I_o \approx \frac{N \cdot V_{FB}}{2 \cdot R_s}$$

Where:

- $N$  is the primary-side-to-secondary-side turn ratio,
- $V_{FB}$  is the feedback reference voltage (typically 0.413V), and
- $R_s$  is the sensing resistor connected between the MOSFET source and GND.

### Power-Factor Correction

The MULT pin is connected to a pull up resistor from the rectified-instantaneous-line voltage and fed as one input of the Multiplier. The multiplier output is sinusoidal. This signal provides the reference for the current comparator and comparing with the primary-side-inductor current, which sets the sinusoidal primary-peak current. This helps to achieve a high-power factor.

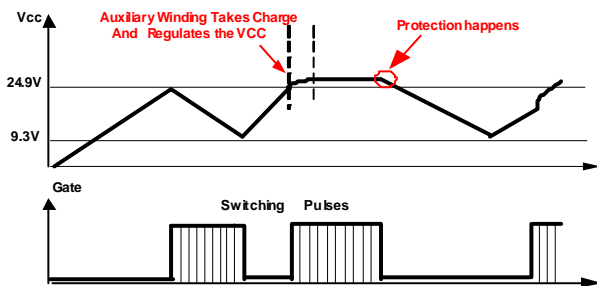


**Figure 4: Power-Factor Correction**

The maximum voltage of the multiplier output to the current comparator is clamped at 2V for a cycle-by-cycle current limit.

### VCC Under-Voltage Lockout

When  $V_{CC}$  drops below the UVLO threshold (9.3V), the MP4026 stops switching and shuts down. The operating current is very low under this condition, the  $V_{CC}$  will be charged up again by the external start up resistor from AC line. Figure 5 shows the typical  $V_{CC}$  under-voltage lockout waveform.



**Figure 5: VCC Start-Up Waveform**

### Auto Starter

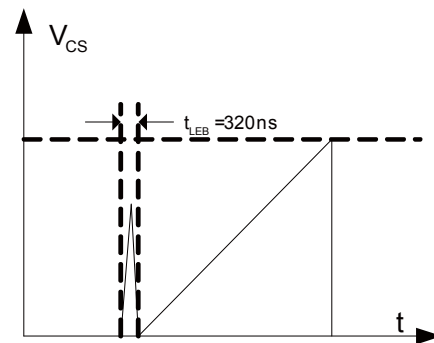
The MP4026 has an integrated auto starter. The starter times when the MOSFET is OFF: If ZCD fails to send out another turn-on signal after 190 $\mu$ s, the starter will automatically send out the turn-on signal to avoid unnecessary shutdowns due to missing ZCD detections.

### Minimum Off Time

The MP4026 operates with a variable switching frequency; the frequency changes with the instantaneous-input-line voltage. To limit the maximum frequency and get a good EMI performance, the MP4026 employs an internal, minimum-off-time limiter—5.5 $\mu$ s.

### Leading-Edge Blanking

To avoid premature switching-pulse termination due to the parasitic capacitances discharging when the MOSFET turns on at normal operation, the MP4026 uses an internal-leading edge blanking (LEB) unit between the CS/ZCD pin and the current-comparator input. During the blanking time, the path from the CS/ZCD pin to the current comparator input is blocked. Figure 6 shows the leading-edge blanking. The LEB time of primary-side OCP detection is relatively short, 200ns.



**Figure 6: Leading-Edge Blanking**

### Output Over-Voltage Protection

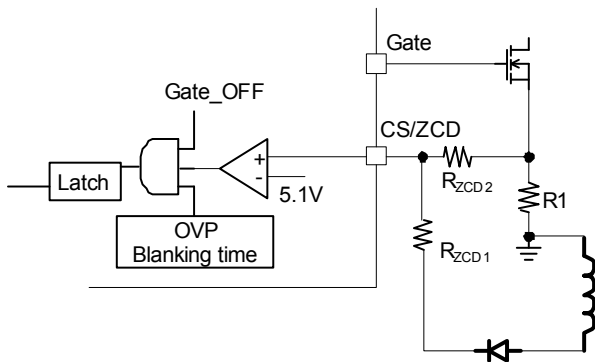
Output over-voltage protection prevents component damage during an over-voltage condition. The auxiliary-winding voltage's positive plateau is proportional to the output voltage: the OVP uses the auxiliary winding voltage instead of directly monitoring the output voltage. Figure 7 shows the OVP sampling unit. Once the ZCD voltage exceeds 5.1V at gate turn off interval, the OVP signal will be triggered and latched, the gate driver will be turned off and the IC works at quiescent mode, the  $V_{CC}$  voltage dropped below the UVLO which will make the IC shut down, and the system restarts again.

The output-OVP-set point is then:

$$V_{OUT\_OVP} \cdot \frac{N_{AUX}}{N_{SEC}} \cdot \frac{R_{ZCD2}}{R_{ZCD1} + R_{ZCD2}} = 5.1V$$

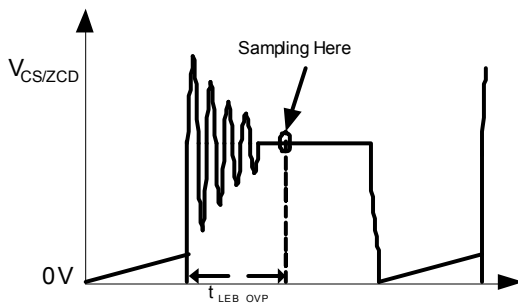
Where:

- $V_{OUT\_OVP}$  is the output-over-voltage-protection point,
- $N_{AUX}$  is the number of auxiliary-winding turns, and
- $N_{SEC}$  is the number of secondary-winding turns.



**Figure 7: OVP Sampling Unit**

To prevent a voltage spike from mis-triggering OVP after the switch turns off, OVP sampling has a  $t_{LEB\_OVP}$  blanking period (typically  $1.6\mu s$  when  $V_{MULT\_O} > 0.3V$  and  $0.8\mu s$  when  $V_{MULT\_O} \leq 0.3V$ ) as shown in Figure 8.



**Figure 8: ZCD Voltage and OVP Sampler**

### Output Short-Circuit Protection

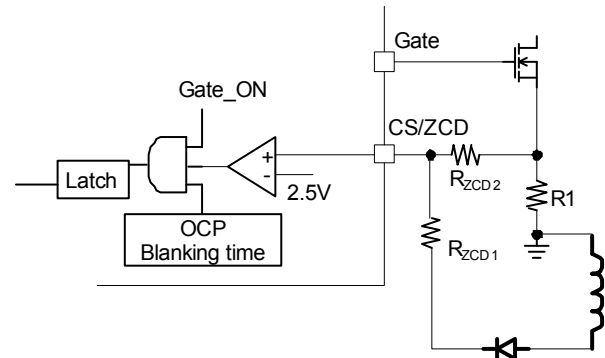
If an output short occurs, the ZCD can not detect the transformer's zero-current-crossing point, so the  $190\mu s$  auto-restart timer triggers the power MOSFET's turn-on signal. Then the switching frequency of the power circuit drops to about 5kHz, and the output current is limited to its nominal current. The auxiliary-winding

voltage drops to follow the secondary-winding voltage,  $V_{CC}$  drops to less than the UV threshold, and the system restarts. This sequence limits the output power and IC temperature rise if an output short occurs.

### Primary-Side Over-Current Protection

The primary-side over-current protection prevents device damage caused by extremely excessive current, like primary winding short. If the CS/ZCD pin voltage rising to 2.5V at gate turn on interval, as shown in Figure 9, the primary-side over-current protection signal will be triggered and latched, the gate driver will be turned off and the IC works at quiescent mode, the  $V_{CC}$  voltage dropped below the UVLO which will make the IC shut down, and the system restarts again.

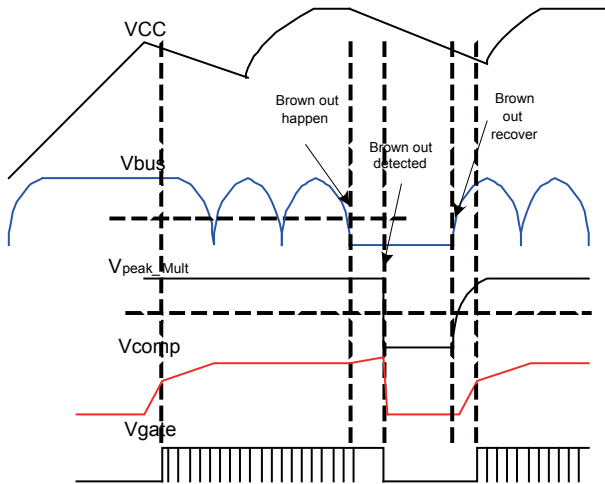
To avoid mis-trigger by the parasitic capacitances discharging when the MOSFET turns on, a LEB time is needed, this LEB time is relatively smaller than current regulation sensing LEB time, typical 200ns.



**Figure 9: Primary-side OCP Sampling Unit**

### Brown-Out Protection

The MP4026 has brown-out protection: the internal peak detector detects the peak value of the rectified sinusoid waveform in MULT pin. If the peak value is less than the brown-out-protection threshold 0.3V for 42ms, the IC recognizes this condition as a brown-out, quickly drops the COMP voltage to zero, and disables the power circuit. If the peak value exceeds 0.4V, the IC restarts and the COMP voltage rises softly again. This feature prevents both the transformer and LED currents from saturating during fast ON/OFF switching. Figure 10 shows the brown-out waveforms.



**Figure 10: Brown-Out Protection Waveforms**

### IC Thermal Shut Down

To prevent from any lethal thermal damage, when the inner temperature exceeds the OTP threshold, the MP4026 shuts down switching cycle and latched until VCC drop below UVLO and restart again.

### Design Example

For the design example, please refer to MPS application note AN076 for the detailed design procedure.

## NON-ISOLATED APPLICATIONS

The isolated solution can prevent human body from an electric shock by grid when touching the load. But the power loss and the cost are increased. Recur to safety enclosure frame of the lamp, compared with isolated solution, the non-isolated solution can achieve higher efficiency and highly cost-effective.

Generally, the Flyback converter is common for the offline isolated applications. As topology transmutation, the non-isolated low-side Buck-boost converter is also popular. Besides fitting in isolated application, the MP4026 can also operate in the offline non-isolated LED lighting applications.

Figure 16 is a 30W low-side Buck-boost LED driver with MP4026.

### Operation of Low-side Buck-boost

The low-side Buck-boost can be treated as Flyback converter with 1:1 turn ratio transformer. So, the whole operation is absolutely same as the description above. Different from isolated solution, there are no separate primary- and secondary-winding, so a smaller core size is available for design. Without the impact of the leakage inductance, the snubber is unnecessary. All of these can save cost and improve the efficiency of the driver.

### The Selection of FET & Rectifier Diode

Since it is just an inductor for non-isolated solution, compared with isolated solution, at same output voltage, the power FET can be selected with lower voltage rating. But, oppositely, the voltage rating of rectifier diodes for output and aux-winding must be increased.

### Improvement of RF EMI

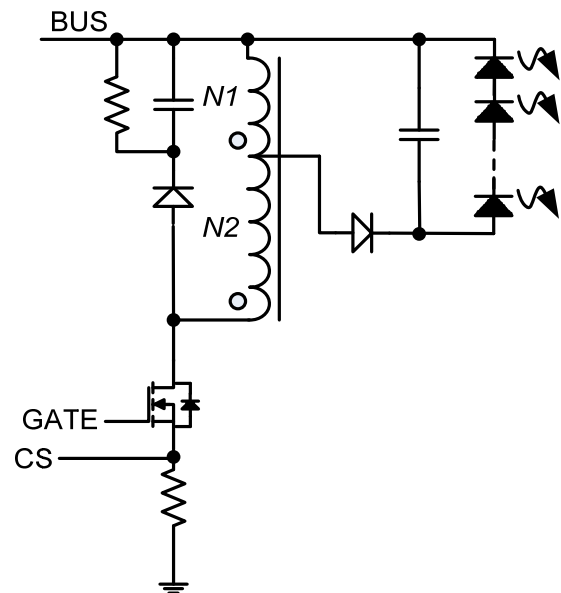
CY1 in Figure 16 is added for RF EMI improvement. The recommended value is from 10nF to 47nF with 630V rating.

### Improvement of PFC & THD

The impact of non-turn-ratio is that the duty cycle of the converter becomes smaller at same spec. Based on MP4026 PFC principle, the PF and THD of the converter drops compared with isolated solution. So, generally, the non-isolated solution is especially suitable for high output

voltage, since the higher output voltage can extend the duty cycle to improve the PF and THD and the efficiency can also be improved meanwhile.

For the non-isolated solution with low output voltage, the tapped-inductor can be applied to improve the PF and THD.



**Figure 11: Tapped-inductor for Low-side Buck-boost Solution**

Shown in Figure 11, the tapped-inductor includes two windings (N1 & N2) and a tap to connect the rectifier diode. When the power FET is turned on, the current goes thru both of the windings. But when the power FET is off, just N1 conducts the current thru the rectifier diode. The stored energy of N2 is released by flux couple. So, the tapped-inductor features a similar turn-ratio like the transformer in isolated solution.

The nominal turn-ratio is

$$n = \frac{N1+N2}{N1} > 1$$

The duty cycle of the converter is obviously extended by tapped-inductor, and then the better PF and THD are available.

But, like transformer, the snubber is necessary to clamp the voltage spike caused by leakage inductance.

On the other hand, the non-dimmable solution usually needs to cover universal input range. The input range is very wide, from 85VAC to 264VAC. The MULT pin is used to detect the input voltage signal, but the resistor divider of MULT is fixed. So, at high line input, the signal for MULT input is very low, which results in adverse effect for internal multiplier sampling, then affect the PFC performance.

Figure 12 shows an improved circuitry on MULT resistor divider to adjust the ratio of the divider to achieve better THD.

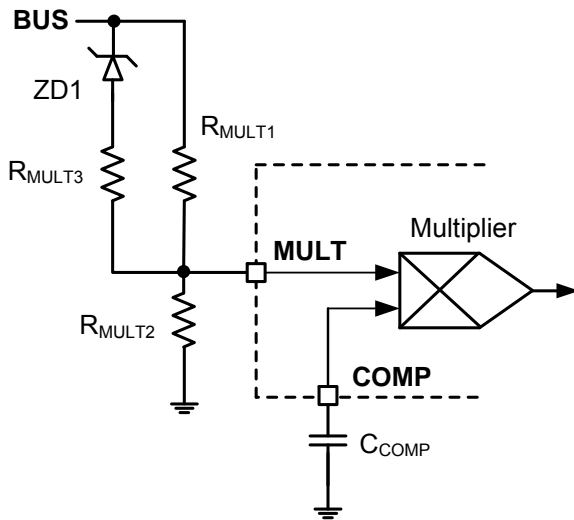


Figure 12: THD Improved Circuitry

The ZD1 is a HV Zener diode. The common voltage rating is from 80V to 130V.

At low line input, the BUS can not breaks down ZD1, the MULT pin signal is

$$V_{MULT} = V_{BUS} \times \frac{R_{MULT2}}{R_{MULT1} + R_{MULT2}}$$

When the input voltage rises up, once the BUS breaks down ZD1,  $R_{MULT3}$  is paralleled with  $R_{MULT1}$  to increase the ratio of the divider to raise the MULT signal.

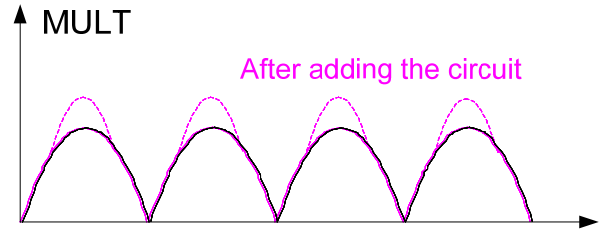
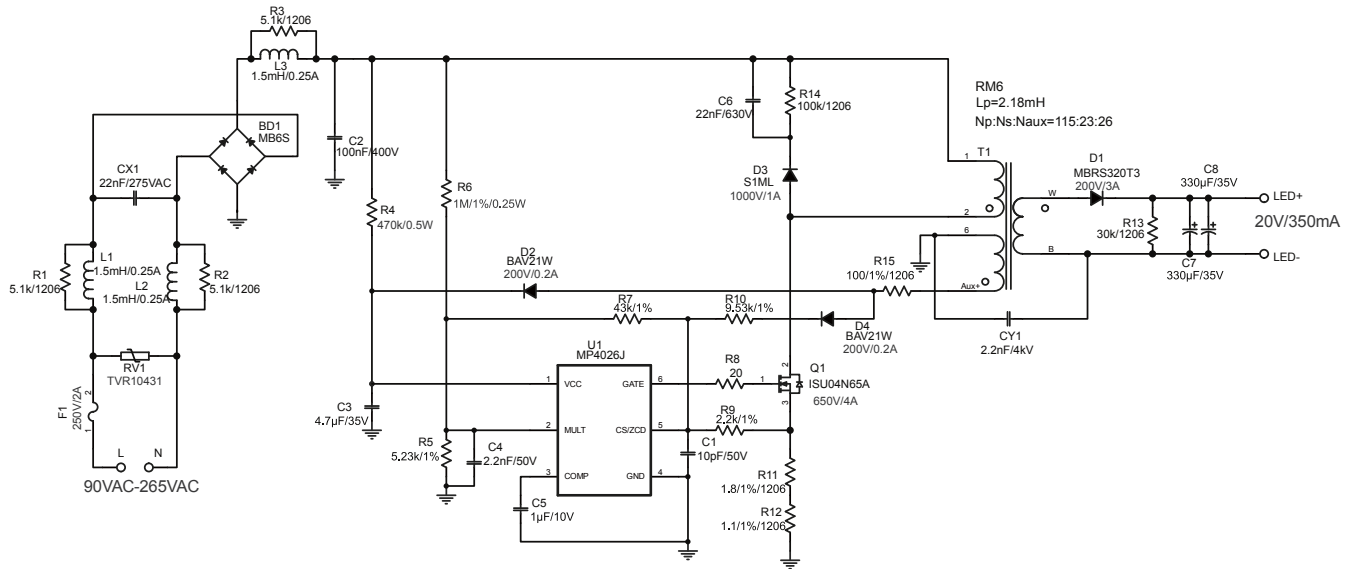


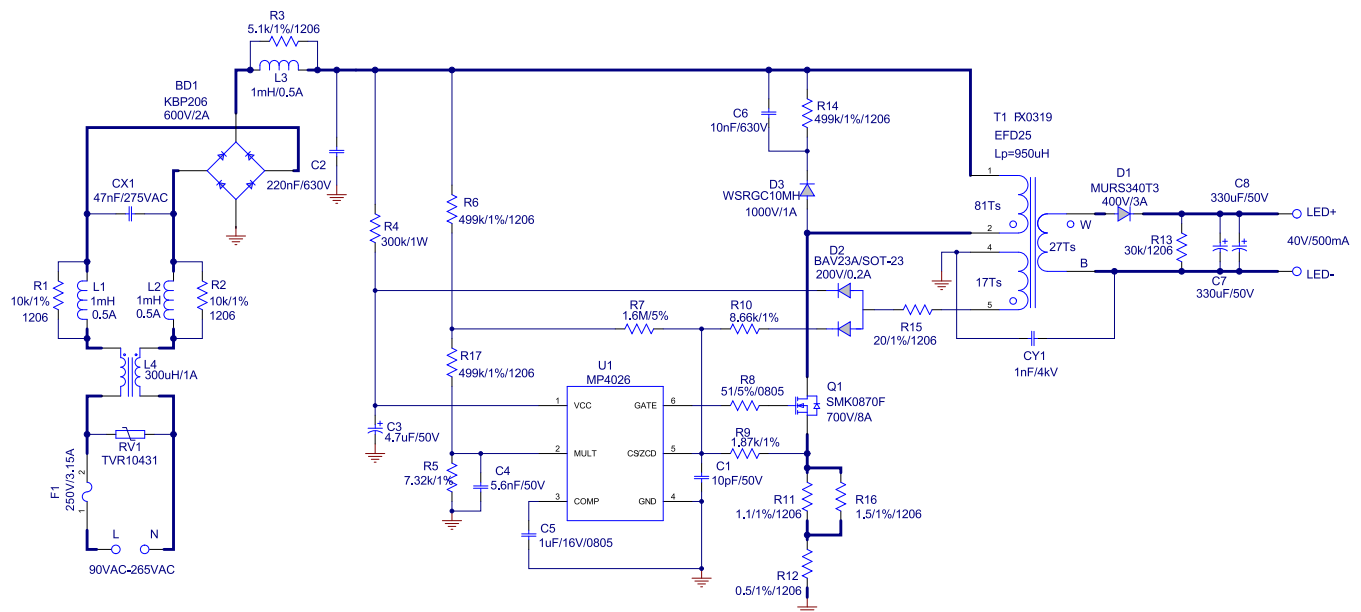
Figure 13: The MULT Signal with THD Improved Circuitry

As Figure 13 shown, after adding the THD improved circuitry, the top part of the MULT voltage rises up as the dashed line. Then the input current at top of BUS is increased while the input current at the zero-crossing is reduced, which results in the input current more like sinusoid and then the THD is improved.

## TYPICAL APPLICATION CIRCUITS

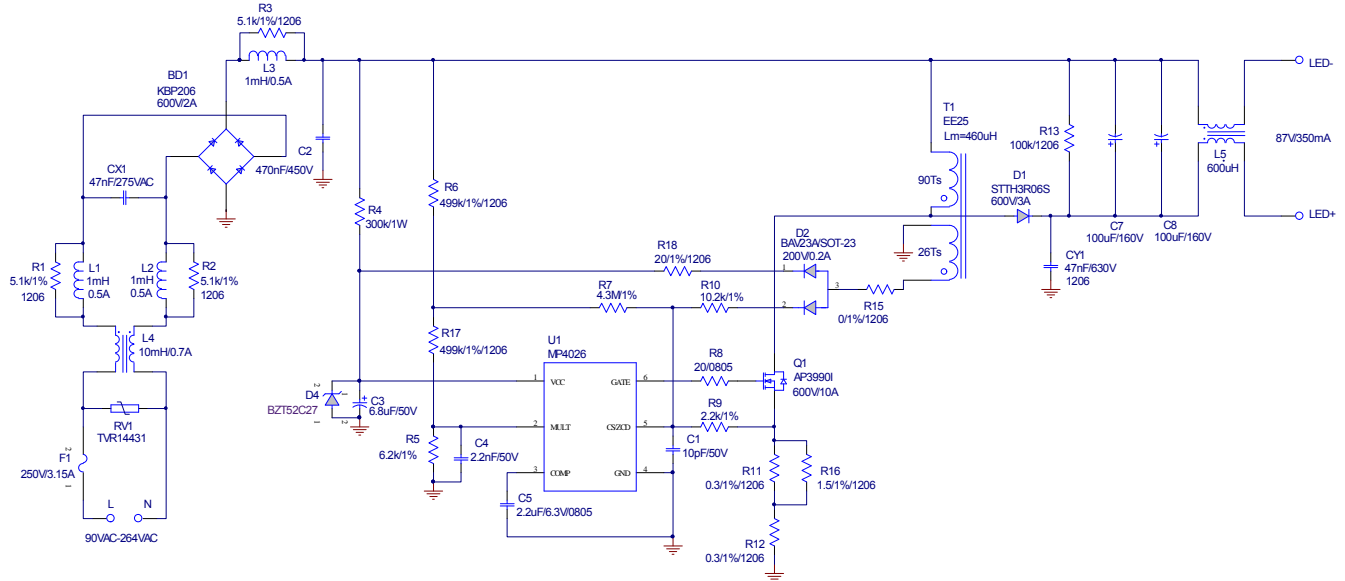


**Figure 14: A19 Bulb Driver, 90-265VAC Input, Isolated Flyback Converter,  $V_O = 20V$ ,  $I_O = 350mA$   
EVB Model: EV4026-J-00A**



**Figure 15: PAR38 Driver, 90-265VAC Input, Isolated Flyback Converter,  $V_O = 40V$ ,  $I_O = 500mA$   
EVB Model: EV4026-J-00B**

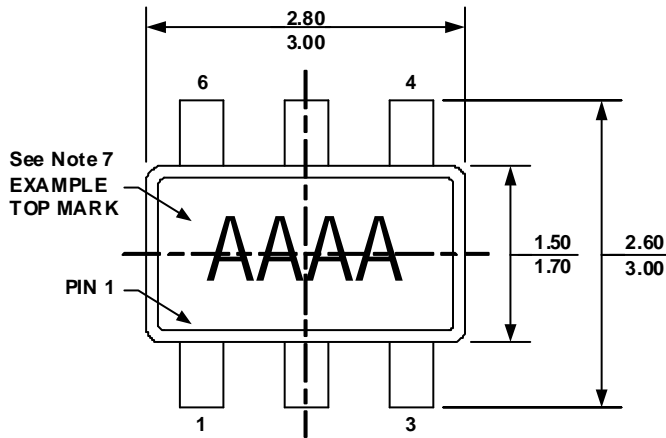




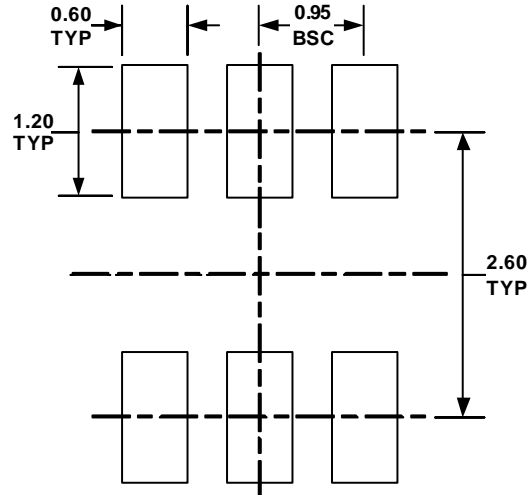
**Figure 16: 90-264VAC Input, Non-isolated Low-side Buck-boost Converter,  $V_o = 87V$ ,  $I_o = 350mA$**

# PACKAGE INFORMATION

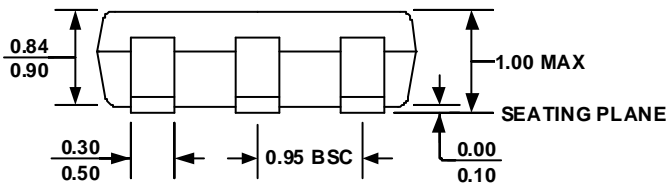
## TSOT23-6



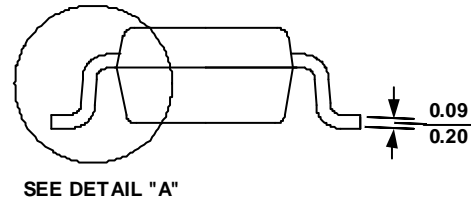
**TOP VIEW**



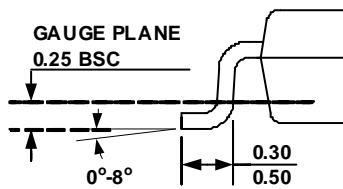
**RECOMMENDED LAND PATTERN**



**FRONT VIEW**



**SIDE VIEW**



**DETAIL "A"**

### NOTE:

- 1) ALL DIMENSIONS ARE IN MILLIMETERS
- 2) PACKAGE LENGTH DOES NOT INCLUDE MOLD FLASH, PROTRUSION OR GATE BURR
- 3) PACKAGE WIDTH DOES NOT INCLUDE INTERLEAD FLASH OR PROTRUSION.
- 4) LEAD COPLANARITY (BOTTOM OF LEADS AFTER FORMING) SHALL BE 0.10 MILLIMETERS MAX
- 5) DRAWING CONFORMS TO JEDEC MO-193, VARIATION AB.
- 6) DRAWING IS NOT TO SCALE
- 7) PIN 1 IS LOWER LEFT PIN WHEN READING TOP MARK FROM LEFT TO RIGHT, (SEE EXAMPLE TOP MARK)

**NOTICE:** The information in this document is subject to change without notice. Users should warrant and guarantee that third party Intellectual Property rights are not infringed upon when integrating MPS products into any application. MPS will not assume any legal responsibility for any said applications.