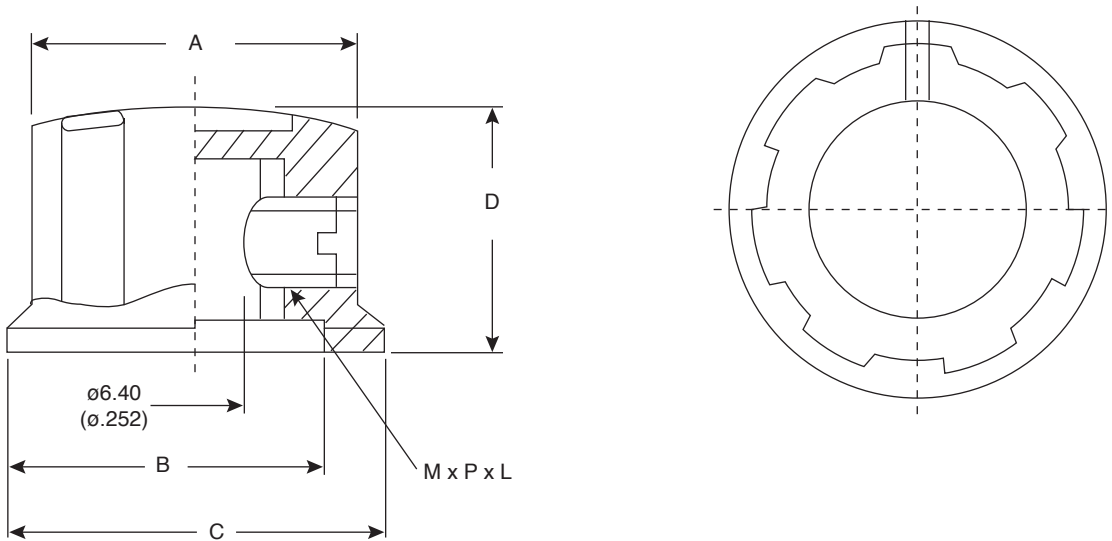
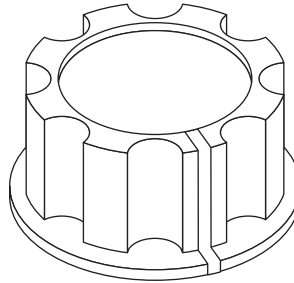


# Rotary Knobs

45KN016-GRX, 45KN017-GRX, 45KN018-GRX

Date Last Revised: 03-10-15



Dimensions: mm (in.)

SPECIFICATIONS	
Body of Color:	black
Indicator Type:	painted line
Indicator Color:	white
Shaft Hole:	ø.25
Fitting:	screw type
Inserts:	Zinc
Set Screw:	Brass
RoHS Compliant by Exemption	

	45KN016-GRX	45KN017-GRX	45KN018-GRX
A (in.)	ø1.18	ø.921	ø.618
B (in.)	ø1.02	ø.866	ø.472
C (in.)	ø1.30	ø1.06	ø.772
D (in.)	.630	.622	.453
MxPxL (in.)	.158x.028x.315	.158x.028x.236	.158x.020x.158

Available from Mouser Electronics  
1-800-346-6873 / www.mouser.com

EPD-200537