

PART NAME: KNOB

SCALE: 1:1

DATE: 11/4/71

DR. BY HD



DESIGNERS & MANUFACTURERS  
OF KNOBS, HANDLES, CASES &  
CUSTOM PLASTIC COMPONENTS

P/N 3050

THIS DRAWING IS THE PROPERTY OF DAVIES MOLDING COMPANY, IS SUBMITTED SOLELY AS A DESIGN OR ENGINEERING PROJECT.  
WE ACCEPT NO RESPONSIBILITY WHATSOEVER FOR THE PRACTICAL APPLICATION OF THE PIECES MADE TO THIS DESIGN.

M<sup>NO.</sup> 3050

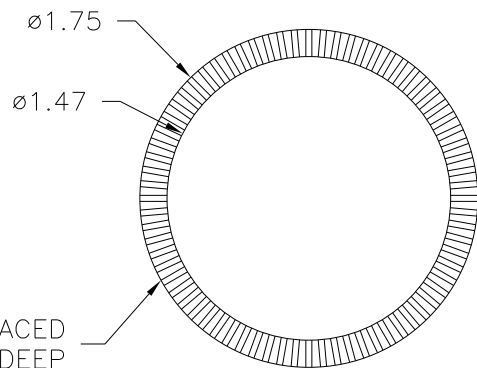
CAVITY 3050

PLUNGER 3050

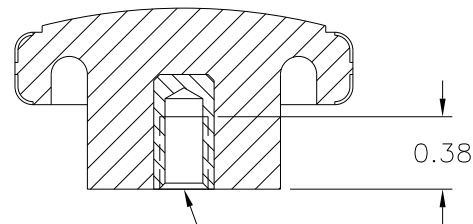
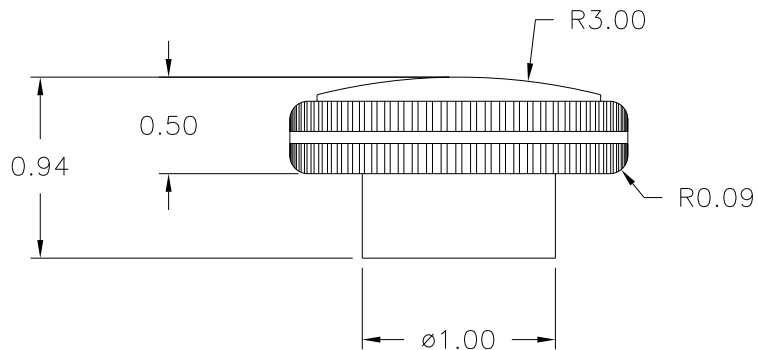
PINS 3050-1&A

PIN BAR SHIM .018

INSERT I0035



72 KNURLS EQUALLY SPACED  
0.03 WIDE X 0.02 DEEP



1/4-20 UNC-2B THREADED  
I0035, H.H. BRASS

MATERIAL: G.P. PHENOLIC (B41)  
COLOR: BLACK

TOLERANCES: UNLESS OTHERWISE SPECIFIED	DO NOT SCALE DRAWING	-	RE-DID REDRAW	TL	12/1/99
DECIMALS: X.XXX ± .005 X.XX ± .015	MM: X.XX ± 0.15MM X.X ± 0.4MM	-	DWG UPDATED	HD	9/24/97
FRACTIONS ± 1/64	ANG. ± 1°	-	CAD REDRAW	HD	3/2/94
CHANGES					