

PLEASE CHECK WWW.MOLEX.COM FOR LATEST PART INFORMATION

Part Number: [104092-2000](#)
Status: **Active**
Description: IllumiMate™ 1.25mm Pitch Wire-to-Board Crimp Housing, Right-Angle Single Row, 20 Circuits

Documents:

[Drawing \(PDF\)](#) [Packaging Specification PK-104092-001 \(PDF\)](#)
[Product Specification PS-104091-001 \(PDF\)](#) [RoHS Certificate of Compliance \(PDF\)](#)

General

Product Family	Crimp Housings
Series	104092
Application	Signal, Wire-to-Board
Product Name	IllumiMate™
UPC	884982407121

Physical

Circuits (maximum)	20
Color - Resin	Natural
Gender	Receptacle
Glow-Wire Compliant	No
Keying to Mating Part	None
Lock to Mating Part	Yes
Material - Resin	High Temperature Thermoplastic
Net Weight	0.470/g
Number of Rows	1
Packaging Type	Embossed Tape on Reel
Panel Mount	No
Pitch - Mating Interface	1.25mm
Polarized to Mating Part	Yes
Temperature Range - Operating	-25°C to +130°C

Electrical

Current - Maximum per Contact	1.5A
-------------------------------	------

Material Info

Reference - Drawing Numbers

Packaging Specification	PK-104092-001
Product Specification	PS-104091-001
Sales Drawing	SD-104092-001

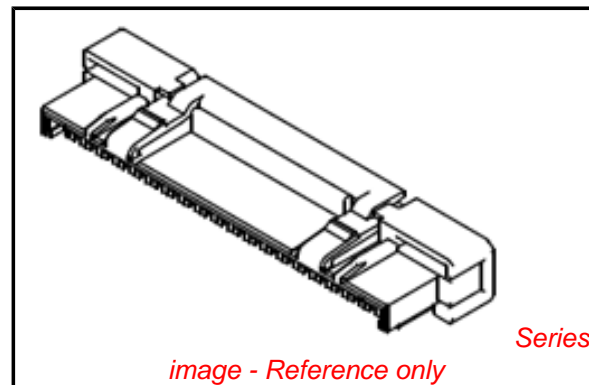


image - Reference only

EU RoHS

ELV and RoHS Compliant
REACH SVHC Contains SVHC: No
Low-Halogen Status Low-Halogen

China RoHS



Need more information on product environmental compliance?

Email productcompliance@molex.com
 For a multiple part number RoHS Certificate of Compliance, [click here](#)

Please visit the [Contact Us](#) section for any non-product compliance questions.

Search Parts in this Series

[104092Series](#)

Mates With

[104091-2020](#)

Use With

[104521-6001](#)