

RG 160-28/56S

# AC centrifugal compact fan

single inlet



## ebm-papst St. Georgen GmbH & Co. KG

Hermann-Papst-Straße 1

D-78112 St. Georgen

Phone +49 7724 81-0

Fax +49 7724 81-1309

info2@de.ebmpapst.com

www.ebmpapst.com

## Nominal data

Type	RG 160-28/56S	
Phase		1~
Nominal voltage	VAC	230
Frequency	Hz	50
Speed	min <sup>-1</sup>	2750
Power input	W	47.0
Min. ambient temperature	°C	-30
Max. ambient temperature	°C	70
Air flow	m <sup>3</sup> /h	202
Sound power level	B	6.6

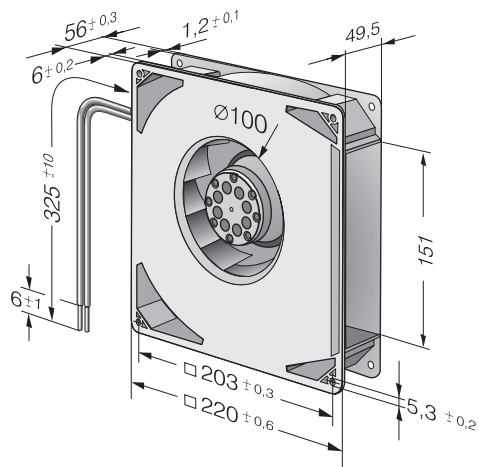
ml = max. load · me = max. efficiency · rfa = running at free air · cs = customer specs · cu = customer unit  
Subject to alterations



## Technical features

<b>Dimensions</b>	220 x 220 x 56 mm
<b>General description</b>	<p>AC voltage fan with external rotor motor shaded-pole motor. Protected from overload by a thermal switch</p> <p>Scroll housing and impeller made of fibreglass-reinforced plastic. Housing base of galvanized sheet steel.</p> <p>Centrifugal direction of air flow, air outlet from the housing window. Direction of rotation counter-clockwise seen on rotor.</p> <p>Electrical connection to single strands AWG 18. Strand ends bared and tin-plated.</p> <p>Mass: 1.7 g.</p>
<b>Connection line</b>	Single strands AWG18
<b>Direction of rotation</b>	Left, looking at rotor
<b>Direction of air flow</b>	Centrifugal, air exhaust out of housing window
<b>Bearing</b>	Ball bearings
<b>Lifetime L10 at 40 °C</b>	30000 h
<b>Lifetime L10 at maximum temperature</b>	15000 h
<b>Mass</b>	1.700 kg
<b>Housing material</b>	Spiral housing of fiberglass-reinforced plastic, housing base of galvanized sheet steel.
<b>Material of impeller</b>	Fiberglass-reinforced plastic
<b>Motor protection</b>	Protected from overload by a thermal switch
<b>Approval</b>	VDE, CSA, UL, CE

## Product drawing



Charts: Air flow

