

A durable three pin, fused panel plug, with 0,5mm solder lug / spade terminals. Can be mounted above the panel on any thickness of material or below the panel for up to 2,5mm thick material. Suitable for use on measuring instruments, SMPS, ITE and OA.

For panel cut-out, use punch number 074-0040 (pull through) or 024-0010 (punch and die).

Weight approximately 10g.

Approvals TUV and NRTL/C

**MATERIAL**

**HOUSING** : Nylon 66, black  
UB 04 V0

**CONTACTS** : Brass, nickel plate

**ELECTRICAL**

**Current Rating** : 10 Amps

**Voltage Rating** : 250 V<sub>ac</sub>

**Insulation** : 1000 MM @ 500 V<sub>ac</sub>

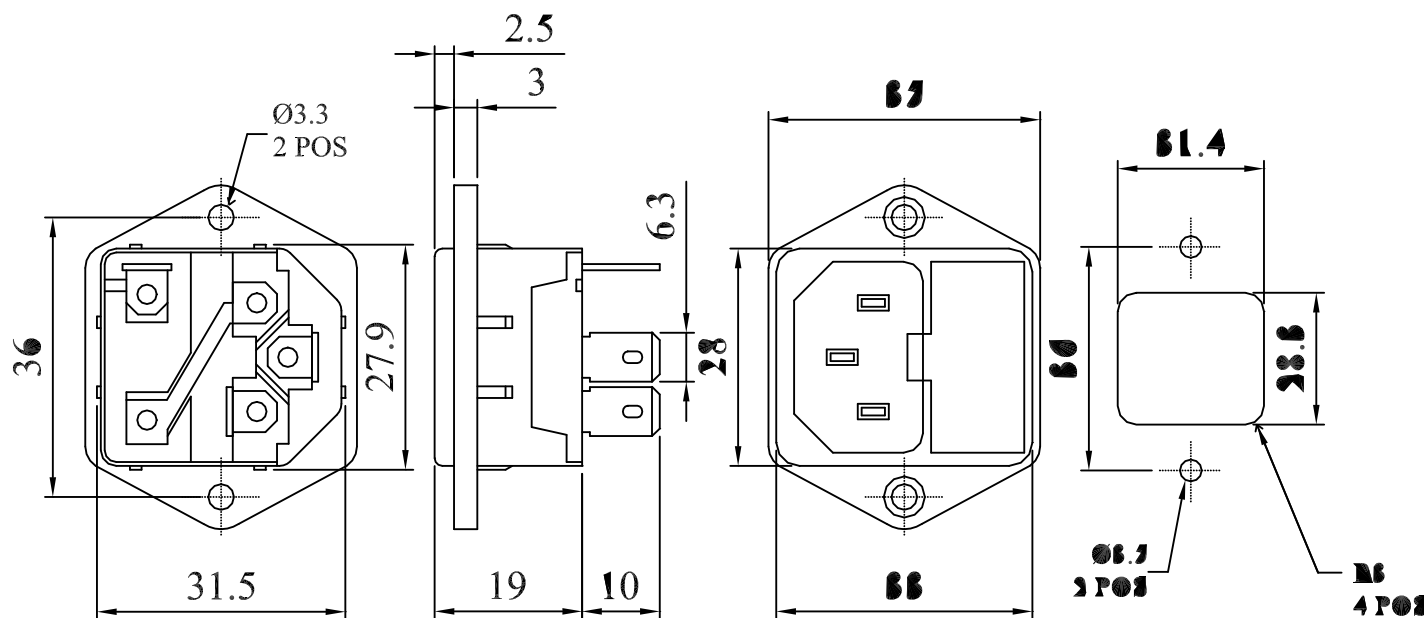
**Resistance**

**Withstanding Voltage** : 2000 V<sub>ac</sub> for 1 minute  
between line to gnd.

**Temperature Range** : -20°C to +80°C

**Range**

**Dimensions**



CONVERTED FROM PS0901 ISS2 (22.06.98) IN JAN 2003

DrgNo 522-0010

TITLE FUSED MAINS CONNECTOR - PANEL PLUG

ALL DIMENSIONS IN MM  
ANGLES IN DECIMAL DEGREES



ISSUE 3

GENERAL SPECIFICATION  
FOR 522-0010

CUSTOMER

FILTER REF

Aprvd Date 19.02.08

Aprvd By MC

Drwn by BS

Scale: NTS

Sheet 1/ 1