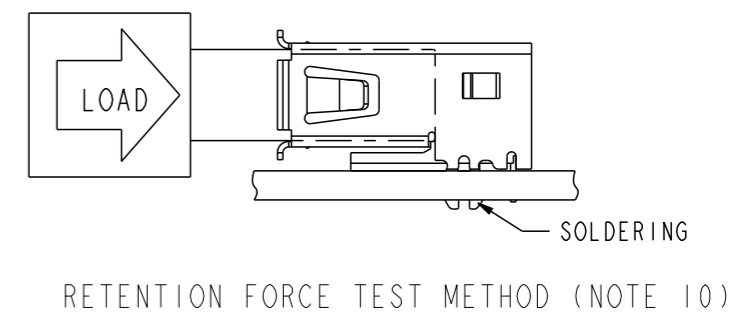
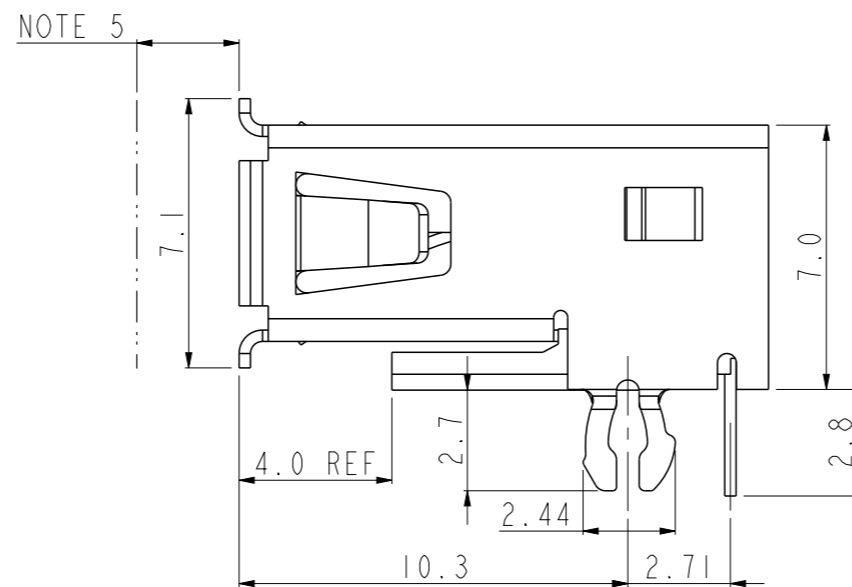
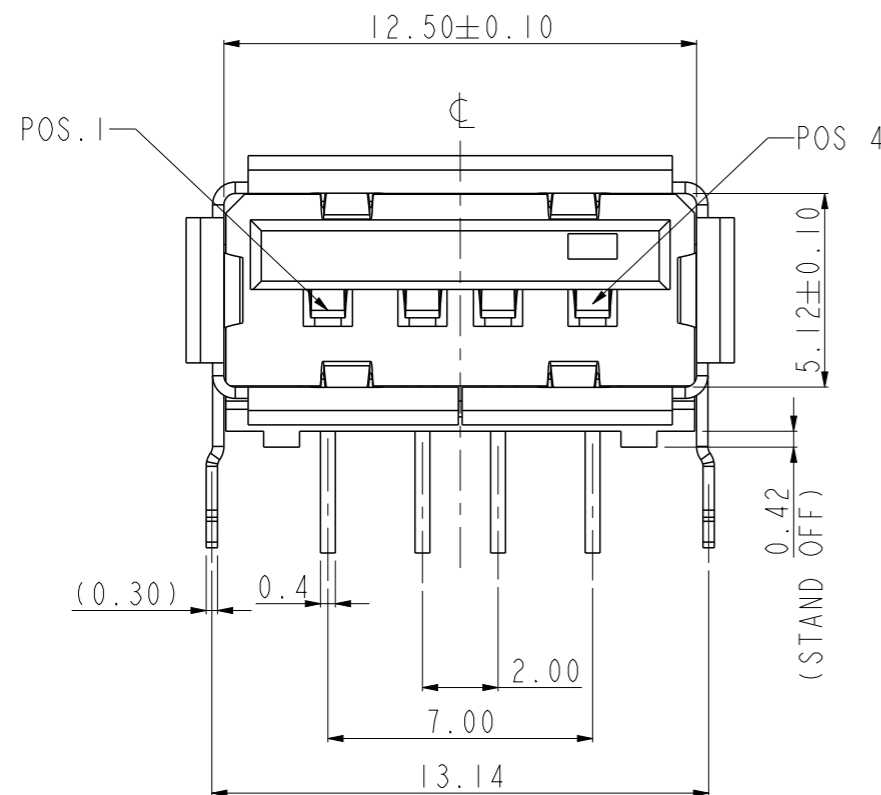


NOTES:

- MATERIAL:
CONTACTS: COPPER ALLOY
SHELL: COPPER ALLOY
HOUSING: UL 94V-0 RATED, HIGHT TEMPERATURE THERMOPLASTIC;
- PLATING:
CONTACTS: SEE PRODUCT NUMBER CODE
SHELL: SEE PRODUCT NUMBER CODE;
- DATUM AND BASIC DIMENSIONS ESTABLISHED BY CUSTOMER;
- RECOMMENDED PC BOARD THICKNESS OF 1.57mm
- 2.67mm MAXIMUM PANEL THICKNESS IF MOUNTED BEHIND PANEL;
- PRODUCT SPEC GS-12-095
- PACKING STANDARD GS-14-920, WILL BE APPLIED FOR LEAD FREE P/N'S;
- THE PRODUCT MEET EUROPEAN UNION DIRECTIVES AND OTHER COUNTRY REGULATION AS DESCRIBED IN GS-22-008;
- THE HOUSING WILL WITHSTAND EXPOSURE TO 260~C PEAK TERMERATURE FOR 20 SECONDS IN A CONVECTION, INFRO-RED OR VAPOR PHASE REFLOW OVEN;
- HOUSING PULL OFF THE SHELL RETENTION FORCE: 250N MIN;
- THE PRODUCT CAN BE USED PIP PROCESS.



spec ref	dr	Li-Qing Lei	2014/04/20	projection	MM	size	A3	scale	5.000
tolerance std	eng	Li-Qing Lei	2014/04/24			ecn no		rel level	
TOLERANCES UNLESS OTHERWISE SPECIFIED						product family	-		Released
surface ✓	linear	0.X	±0.3		title USB RECECPTACLE R/A, T/H, A TYPE	dwg no 10129475	rev A	appr	
		0.XX	±0.2					Rick Bian	
		0.XXX	±0.1					2014/04/24	
	angular	0°	±3°	www.fci.com	cat. no.	Product - Customer Drw		sheet 1 of 2	

A

B

C

D

A

B

C

D

PRODUCT NUMBER DESCRIPTION

10129475- X X X X X X LF

BASE PRODUCT NUMBER

HOUSING COLOR
0 - BLACK

SHELL TYPE AND SHELL PLATING OPTIONS
1 - NO BACK SHIELD, NICKEL PLATING ONLY

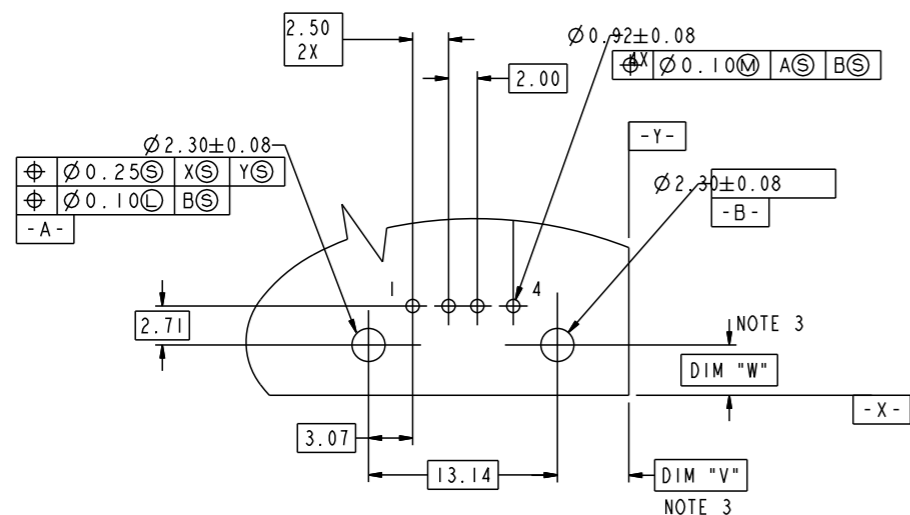
EXTENSION
0 - NONE

TERMINAL PLATING OPTION
0 - 1.25um Ni UNDERPLATE
0.76um GXT CONTACT AREA
2.50um MATTE TIN TAIL AREA FOR P/N'S

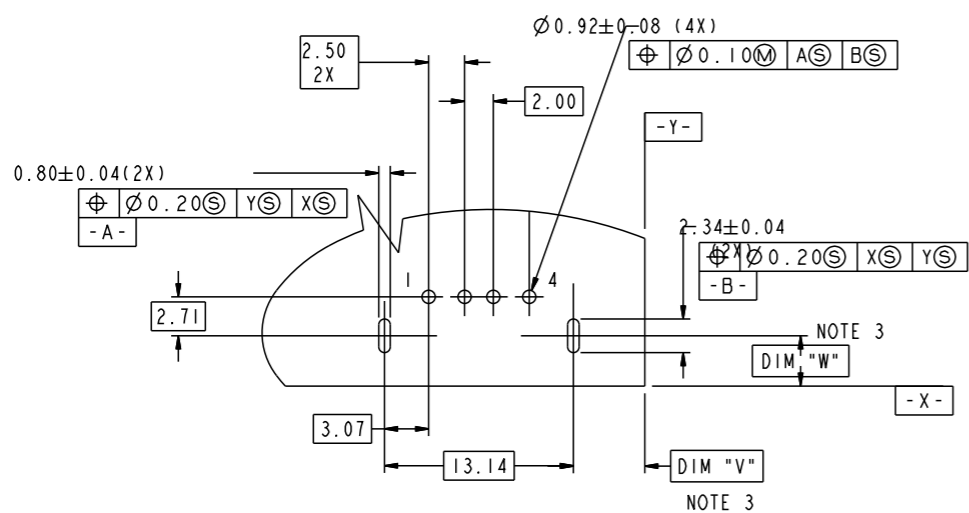
PACKAGING OPTIONS
A - TAPE AND REEL
B - TUBES
T - TRAY

DATE CODE
P - PRINT DATECODE
N - WHITHOUT DATECODE

LEAD FREE



RECOMMENDED PCB LAYOUT
TYPE 1



RECOMMENDED PCB LAYOUT
TYPE 2

spec ref	dr	Li-Qing Lei	2014/04/20	projection	MM	size	A3	scale	5.000
tolerance std	eng	Li-Qing Lei	2014/04/24			ecn no		-	
TOLERANCES UNLESS OTHERWISE SPECIFIED						product family		rel level	
surface ✓	chr	-	-	product family		rel level		Released	
	appr	Rick Bian	2014/04/24	product family		rel level		Released	
	linear	0.X	±0.3	product family		rel level		Released	
		0.XX	±0.2	product family		rel level		Released	
		0.XXX	±0.1	product family		rel level		Released	
	angular	0°	±3°	product family		rel level		Released	

USB RECEPTACLE
 R/A, T/H, A TYPE
 www.fci.com

cat. no. _____
 Product - Customer Drw
 sheet 2 of 2

dwg no 10129475
 rev A



Copyright FCI.