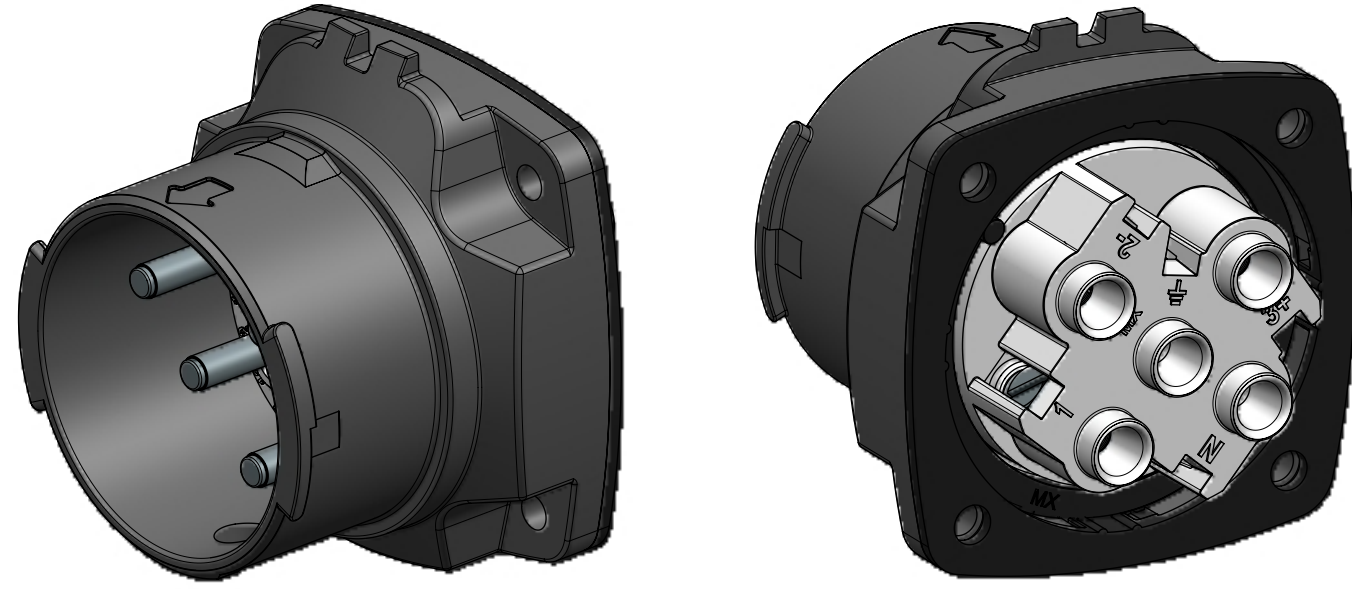
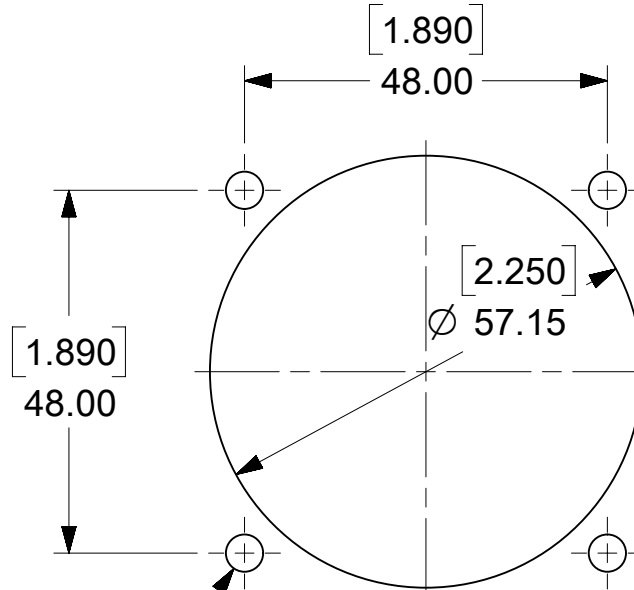
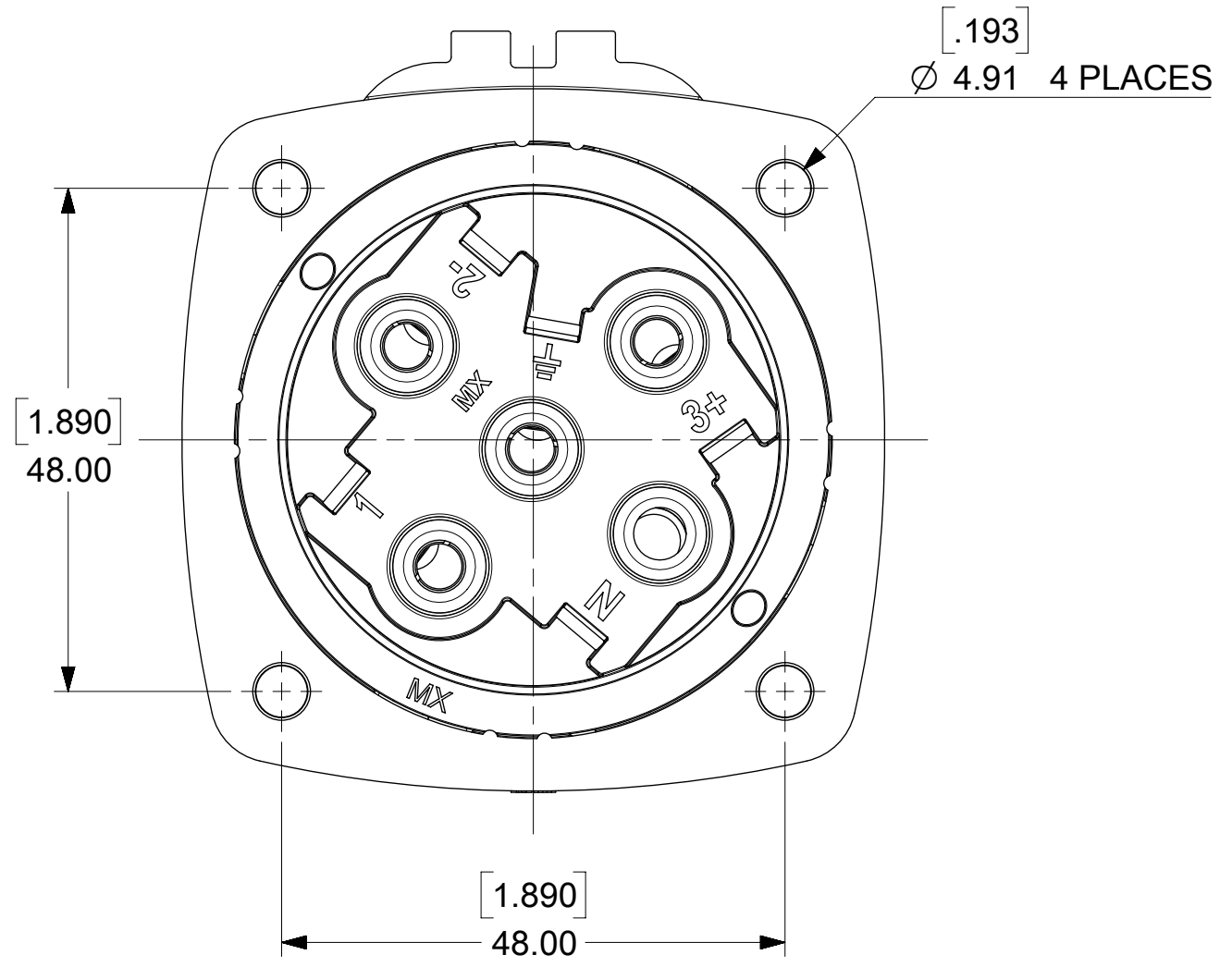
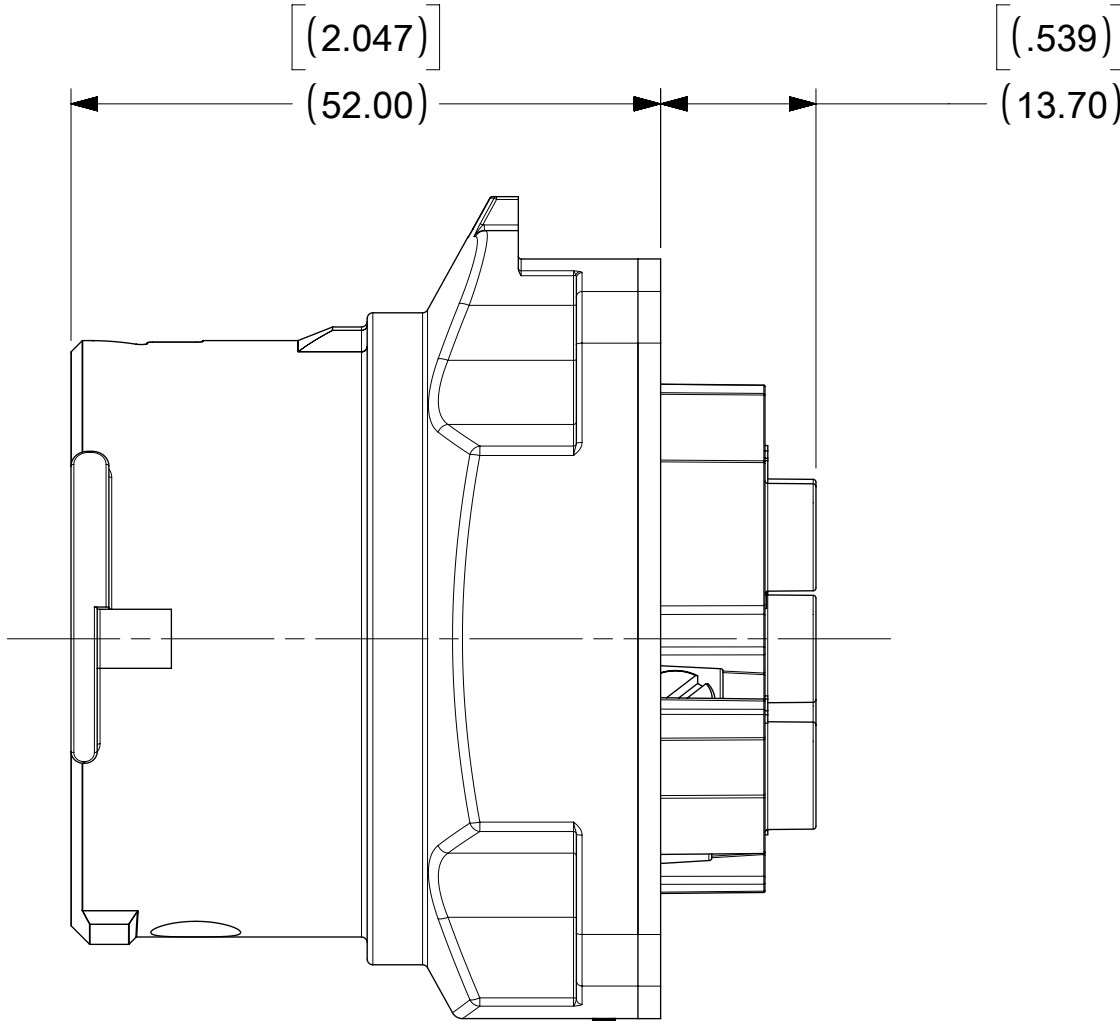
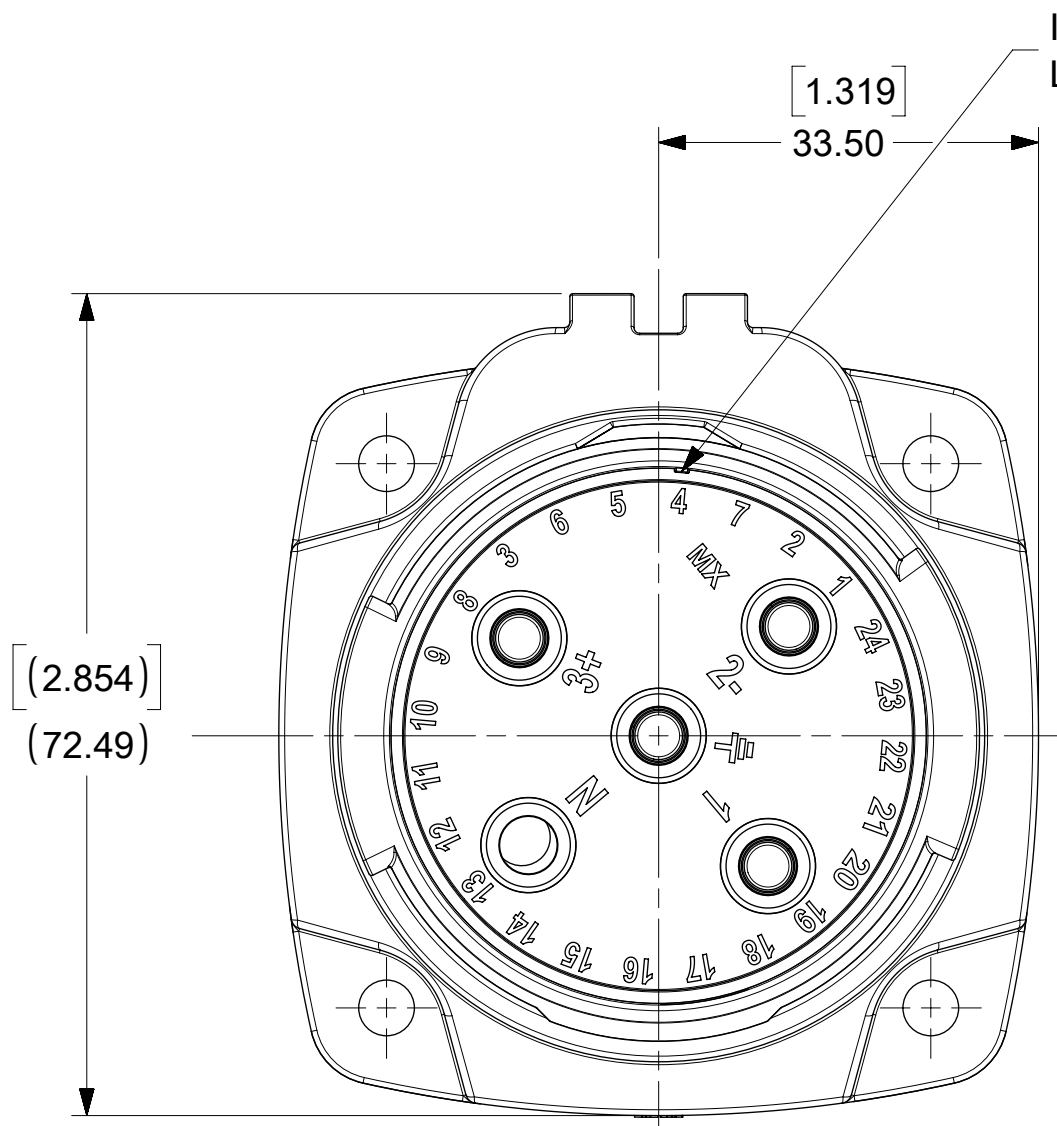


MATERIAL NUMBER	ENG NO.	DESCRIPTION	INSULATOR KEYING POSITION	HORSEPOWER RATING
1122191001	ARC30MA01	ARC 30A M 125VAC 1P+N+G	7	1 HP
1122191002	ARC30MB02	ARC 30A M 250VAC 2P+G		3 HP
1122191003	ARC30MB03	ARC 30A M 250VAC 3P+G		5 HP
1122191004	ARC30MAB04	ARC 30A M 125/250VAC 2P+N+G	16	NA
1122191005	ARC30MC02	ARC 30A M 208VAC 2P+G		NA
1122191006	ARC30MC03	ARC 30A M 208VAC 3P+G		5 HP
1122191007	ARC30MAC05	ARC 30A M 120/208VAC 3P+N+G	4	NA
1122191008	ARC30MD01	ARC 30A M 277VAC 1P+N+G		NA
1122191009	ARC30ME02	ARC 30A M 480VAC 2P+G		NA
1122191010	ARC30ME03	ARC 30A M 480VAC 3P+G	14	10 HP
1122191011	ARC30MDE05	ARC 30A M 277/480VAC 3P+N+G		NA
1122191012	ARC30MF02	ARC 30A M 600VAC 2P+G		NA
1122191013	ARC30MF03	ARC 30A M 600VAC 3P+G	14	NA
1122191014	ARC30MGF05	ARC 30A M 347/600VAC 3P+N+G		NA



SCALE 1:1

MOUNTING PATTERN
 CLEARANCE FOR 8-32 FASTENER



NOTES:

- MATERIALS:**
 HOUSINGS AND INSULATORS: GLASS FILLED PBT
 CONTACTS: COPPER ALLOY WITH A SILVER NICKEL TIP, SILVER PLATED.
 MOUNTING GASKET: SILICONE
- RATING:**
 CURRENT: 30 AMPS
 VOLTAGE AND HORSEPOWER: SEE TABLE
 OPERATING TEMPERATURE: -40°C (-40°F) TO 60°C (140°F)
 ENVIRONMENTAL: TYPE 4X, IP69K
 WIRING CAPACITY: 12 AWG MIN. TO 8 AWG MAX.
 TORQUE TERMINAL SCREWS TO 1.7 N-M (15 in/lbs)
 AGENCY: UL LISTING PENDING
 SWITCH RATED INLET/PLUG
 BRANCH CIRCUIT DISCONNECT SWITCH
 MOTOR CIRCUIT DISCONNECT SWITCH IF HP RATED

ARC30ME03 SHOWN

SYMBOLS	THIS DRAWING CONTAINS INFORMATION THAT IS PROPRIETARY TO MOLEX ELECTRONIC TECHNOLOGIES, LLC AND SHOULD NOT BE USED WITHOUT WRITTEN PERMISSION		CURRENT REV DESC: ADDED 10HP,NEW	
	DIMENSION UNITS	SCALE	NOTES	
▽ = 0	INCH	1.5:1		
▽ = 0	GENERAL TOLERANCES (UNLESS SPECIFIED)			
▽ = 0	MM	INCH		
▽ = 0	4 PLACES ±	±		
▽ = 0	3 PLACES ±	±	EC NO: 604773	2018/09/20
▽ = 0	2 PLACES ±	±	DRWN: MJANTELEZIO	
▽ = 0	1 PLACE ±	±	CHK'D: JFMURPHY	2018/11/05
▽ = 0	0 PLACES ±	±	APPR: JFMURPHY	2018/11/05
□ = 0	ANGULAR TOL	± °	INITIAL REVISION:	
■ = 0	DRAFT WHERE APPLICABLE MUST REMAIN WITHIN DIMENSIONS		DRWN: DRWN BY	XXXX/XX/XX
▽ = 0	THIRD ANGLE PROJECTION		APPR: APPR BY	XXXX/XX/XX
DRAWING		C-SIZE	SERIES	112219
DOCUMENT STATUS	P1	RELEASE DATE	2018/11/05	17:31:31
DOCUMENT NUMBER		DOC TYPE	DOC PART	REVISION
1122191010		PSD	000	B3
MATERIAL NUMBER		CUSTOMER	SHEET NUMBER	
1122191010		GENERAL MARKET	1 OF 1	

THIS DRAWING REPLACES SD-112219-101