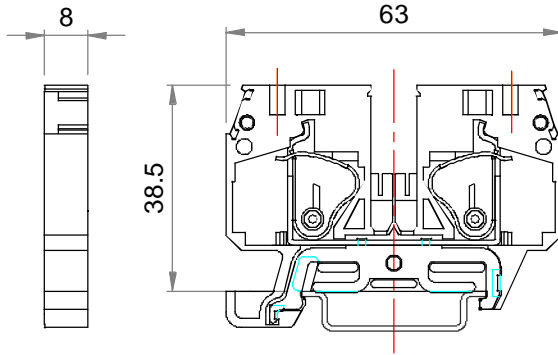


Part number description :

10134350-XXXLF

LF: Lead Free, RoHs compliant, see note

XXX : Color ref or/and version



PN	Colour	Version
10134350-001LF	yellow-green	

TECHNICAL DATA / DIMENSIONS

Dimensions	
Width mm	8.0
Length mm	63.0
Height mm	38.5
Mounting type (EN 60715)	Omega TH35
Technical data	
Insulating material	PA
Self-extinguishing degree acc. to UL94	V0
Rated surge voltage	6kV
Pollution degree	3
Surge voltage category	III
Insulating material group	I
Connection data	
Conductor cross-section solid min/max	1.5 / 10 mm ²
Conductor cross-section stranded min/max	1.5 / 10 mm ²
AWG min/max	24-8AWG
Max conductor cross-section stranded with ferrule with plastic sleeve	6 mm ² / L=18 mm
Max conductor cross-section stranded with ferrule without plastic sleeve	10 mm ² / L=18 mm
Stripping length	max 18 mm

Note : THIS PRODUCT MEETS EUROPEAN UNION DIRECTIVES AND OTHER COUNTRY REGULATIONS AS PER GS-47-0004

APPROVALS



AWG 24-8

EN60947-7-2 6mm²

ACCESSORIES

Item	Description
Marking	
10134397-001LF	Blank large marking tags for screwless terminals
10134419-001LF	Vertical marking tags

DIN RAIL system - Mounting and Installation material

10134392-001LF	Steel Omega rail 35/7,5mm - 2mt length
10134393-001LF	Slotted steel Omega rail 35/7,5mm - 2mt length
10134394-001LF	Steel Omega rail 35/15mm - 2mt length
10134395-001LF	Slotted steel Omega rail 35/15mm - 2mt length
10134387-001LF	Angled support bracket
10134389-001LF	End Bracket for TH35 Omega rail -Width 9mm
10134390-001LF	End Bracket for TH35 Omega rail -Width 6mm
10134391-001LF	Fast-snap End Bracket for TH35 Omega rail

Additional items

10134344-001LF	End Plate for Screwless Terminal Block Q - QE 6
----------------	---

spec ref	tolerance std	ISO 406 ISO 1101	TOLERANCES UNLESS OTHERWISE SPECIFIED		dr	Aymeric Soudy	13-07-2015	projection	MM	size	A3	scale	1:1		
surface	linear	ISO 1302	0.X	± 0.3	eng	Aymeric Soudy	13-07-2015			ecn no					
	angular		0°	± 2°	chr		appr			Aymeric Soudy	13-07-2015	rel level			
								product family DIN Terminal Block		title Screwless Terminal Block QE 6		cat. no. 10134350		rev A	
										www.fcj.com		Product customer drawing		sheet 1 of 1	



Copyright FCJ.