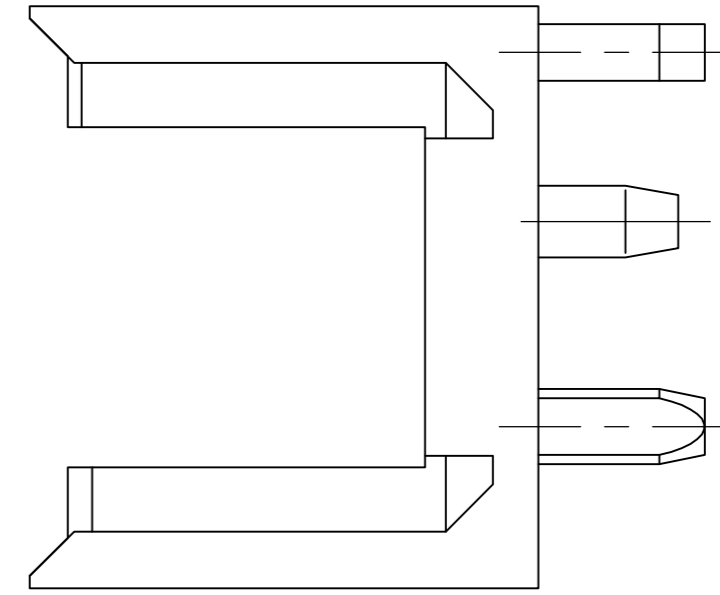
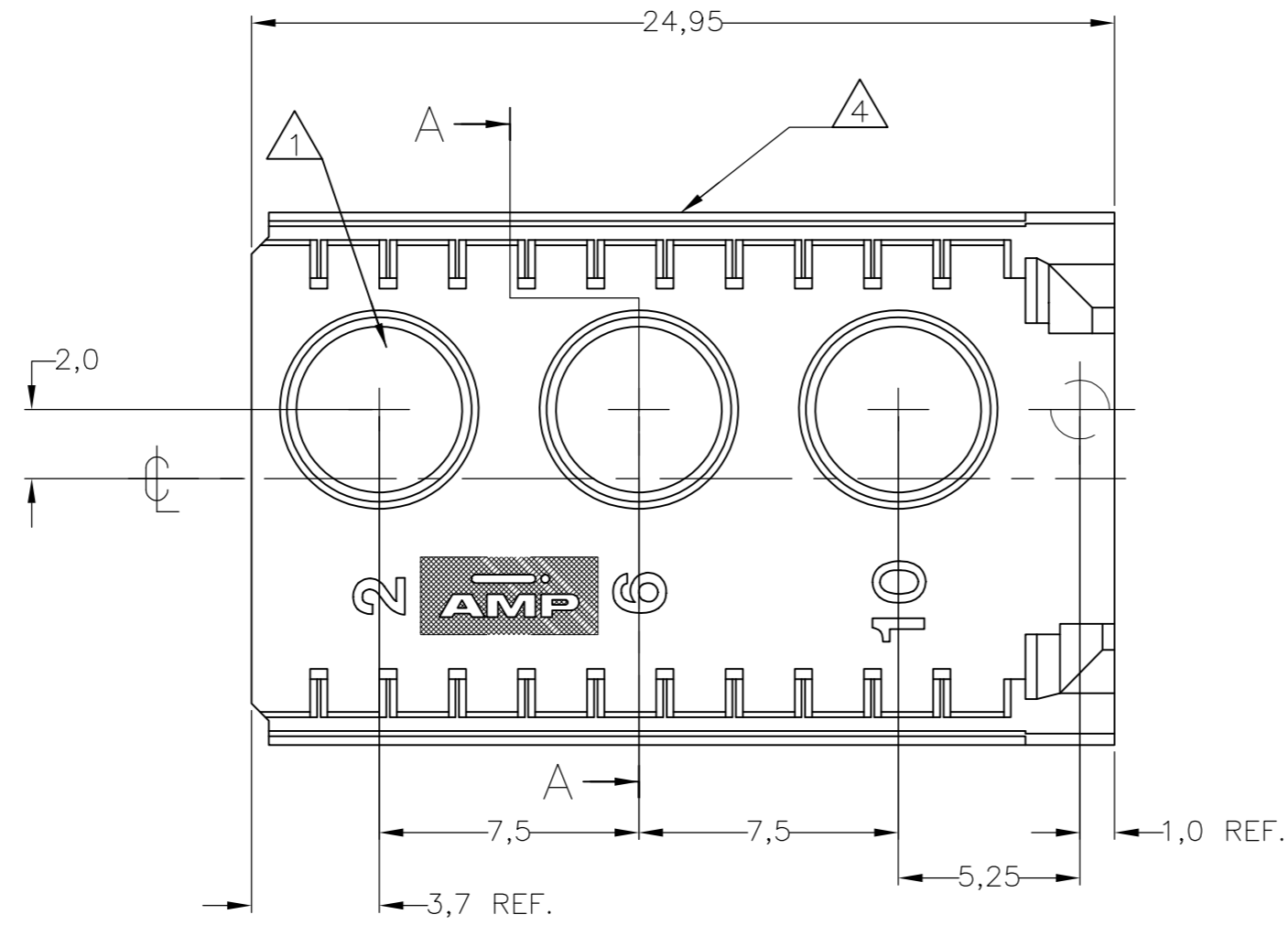
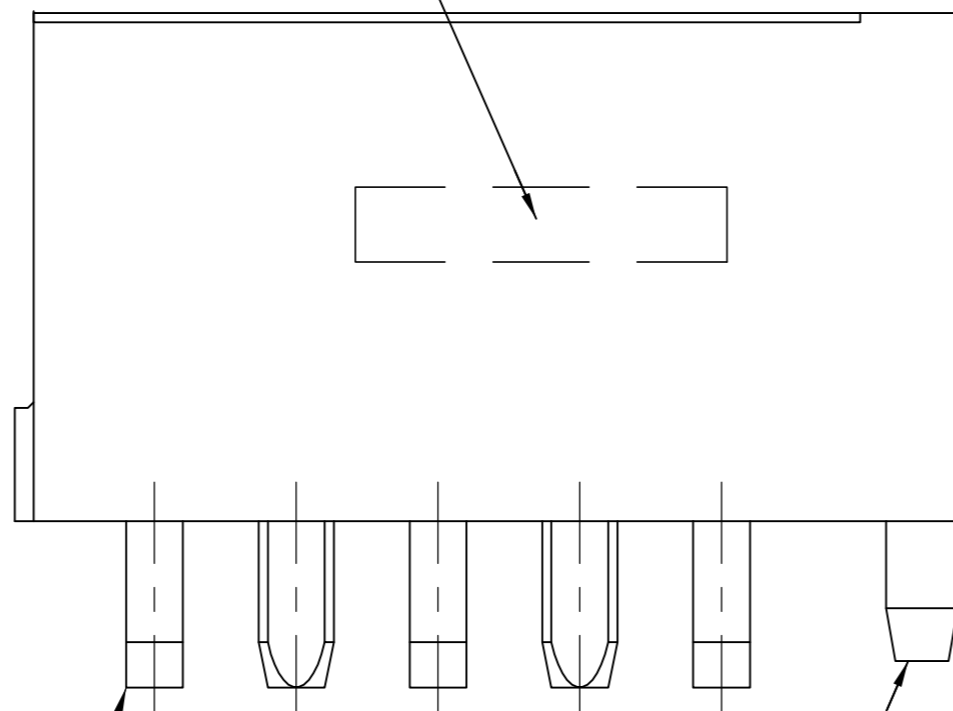


THIS DRAWING IS UNPUBLISHED. RELEASED FOR PUBLICATION
 © COPYRIGHT - By - ALL RIGHTS RESERVED.

LOC	DIST	REVISIONS					
		P	LTR	DESCRIPTION	DATE	DWN	APVD
H	-	F		REVISED PER ECR-14-009289	22SEP14	FL	FY

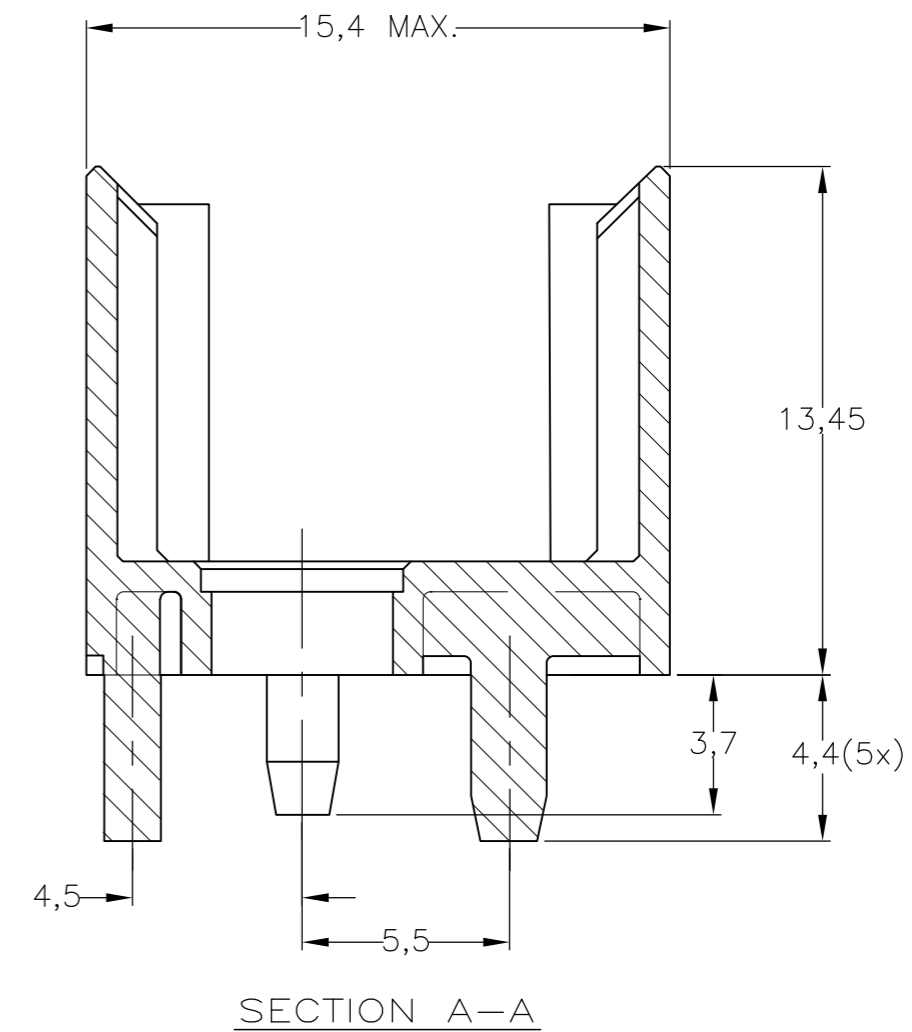


PRINTING AREA (AT OTHER SIDE)



FIXING NIPPLE (5x)
(PRESS FIT)

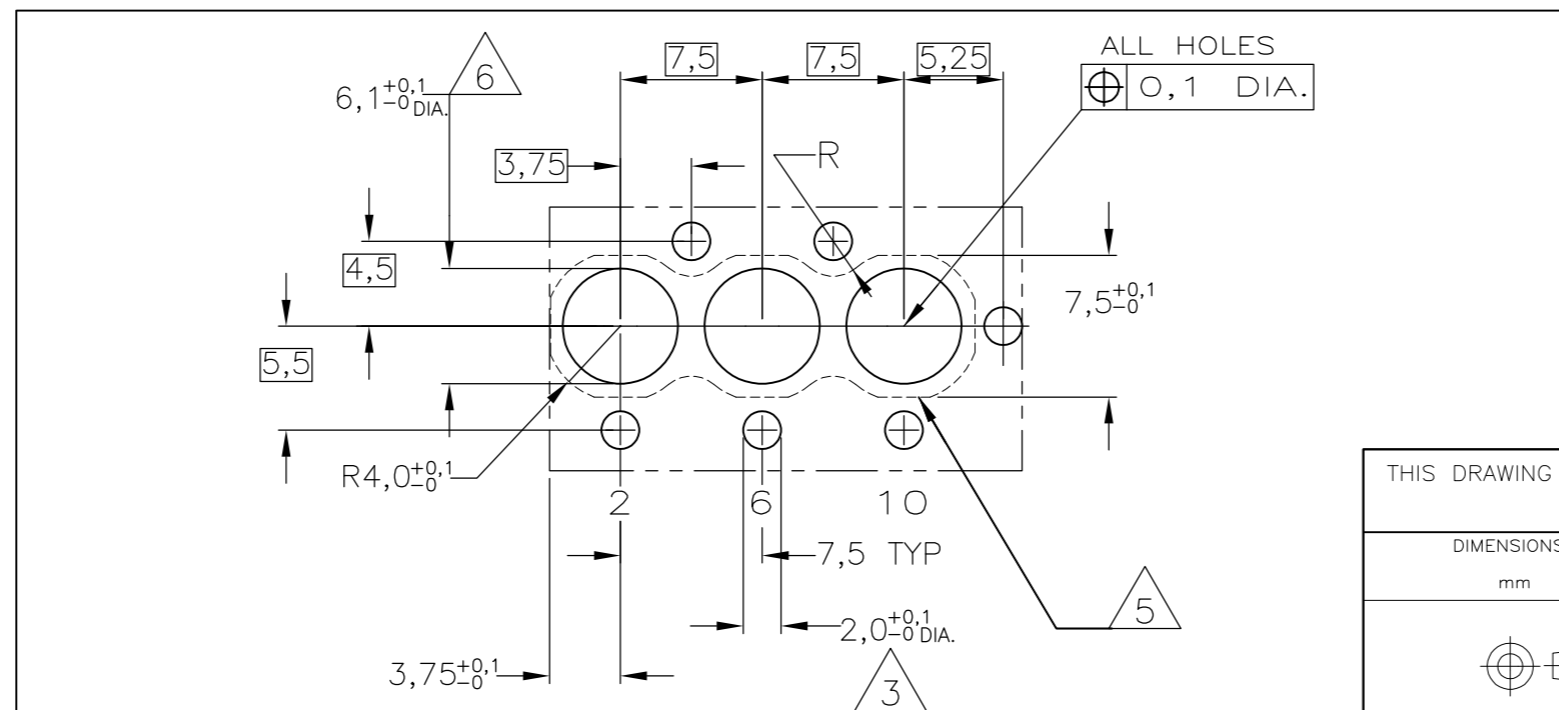
POLARIZING NIPPLE



SECTION A-A

NOTES:

- 1 CONTACT CAVITIES SUITABLE FOR 4,8 DIA. HIGH CURRENT, HIGH FREQUENCY OR FIBRE OPTIC CONTACTS AS PER DIN 41626 (SEE ALSO NOTE 5 AND 6).
- 2 MATERIAL HOUSING : GREY GLASSFILLED POLYESTER.
- 3 NOT PLATED-THROUGH HOLES (6x).
- 4 CONNECTOR PRINTED WITH PARTNUMBER AND DATECODE.
- 5 PATTERN FOR FIBRE OPTIC CONTACTS.
- 6 NOT PLATED-THROUGH HOLES; TO BE REPLACED BY 5,9^{+0,1} DIA. PLATED-THROUGH HOLES IF STRAIGHT SOLDER CONTACTS ARE APPLIED.
- 7 BULK PACKED
- 8 PACKED IN TUBES
- 9 OBSOLETE PARTS: OBSOLETE CIS STREAMLINING PER D.RENAUD/D.SINISI



RECOMMENDED PCB-HOLE LAY-OUT
 COMPONENT SIDE

THIS DRAWING IS A CONTROLLED DOCUMENT.

DIMENSIONS:	TOLERANCES UNLESS OTHERWISE SPECIFIED:
mm	±0.2
	±0.2
MATERIAL	FINISH
-	-

DWN	17 MAR 92	1	4	100751-3
CHK	23 MAR 92	2	4	100751-1
APVD	13 APR 92	3	4	100751-1
PRODUCT SPEC	L. v. SOEST	4	4	100751-1
APPLICATION SPEC	108-19082	5	4	100751-1
114-19029	114-19029	6	4	100751-1
WEIGHT	-	7	4	100751-1
CUSTOMER DRAWING	-	8	4	100751-1

TE TE Connectivity

Z-PACK 2mm HM
 TYPE N MALE CONNECTOR HOUSING

SIZE	CAGE CODE	DRAWING NO	RESTRICTED TO
A2	00779	C=100751	-
SCALE	SHEET	1 OF 1	REV
-	-	-	F