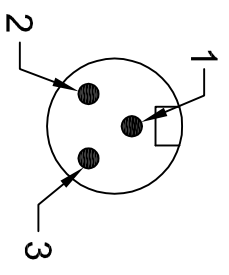


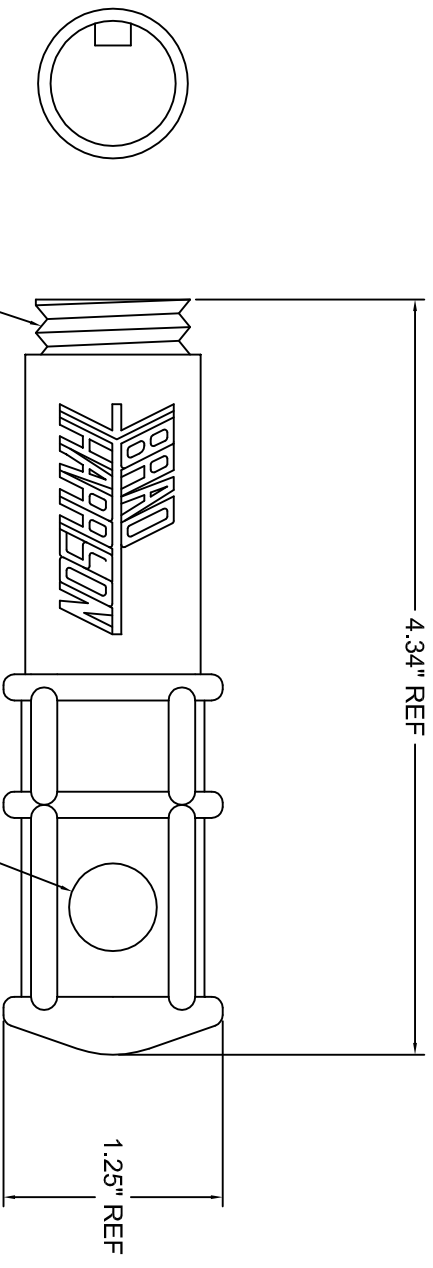
MALE FACE VIEW



- 1 - GREEN
- 2 - BLACK
- 3 - RED or WHITE

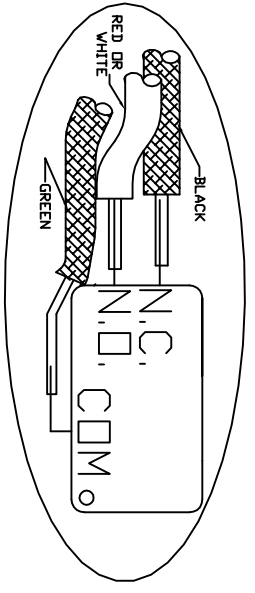
FIELD-ATTACHABLE	O.D. RANGE
1A3000-34	0.20" - 0.48"

MATING CORDSET	LENGTH
103000A01F060	6FT
103000A01F120	12FT
103000A01F200	20FT
103000A01F300	30FT



7/8" - 16 UN 2A

INTERNAL WIRING

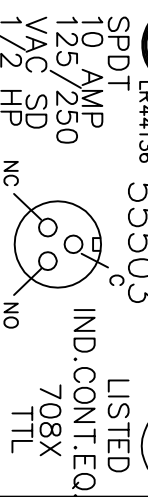


SPECS:
 BODY: YELLOW NYLON / NEOPRENE
 MINI-CHANGE INSERT: YELLOW PVC
 MINI-CHANGE CONTACTS: GOLD PLATED BRASS

NOTES: MATES WITH 3POLE MINI-CHANGE FEMALE CORDSETS, AND WITH 3POLE MINI-CHANGE FEMALE FIELD-ATTACHABLE. SEE TABLE FOR PART NUMBERS.

REFERENCE USE ONLY

SH SWINGER
 LR44136 55503
 LISTED
 SPDT 10 AMP
 125/250 VAC SD
 1/2 HP



REV	DESCRIPTION	GENERAL TOLERANCES (UNLESS SPECIFIED)	DIMENSION STYLE	SCALE	DESIGN UNITS	THIRD ANGLE PROJECTION
		MM INCH				
		4 PLACES				
		3 PLACES				
		2 PLACES				
		1 PLACE				
		DRAFT WHERE APPLICABLE MUST REMAIN WITHIN DIMENSIONS				
		MATERIAL NO.	1300230003	DOCUMENT	55503	SHEET NO. 1 OF 1
		SIZE	THIS DRAWING CONTAINS INFORMATION THAT IS PROPRIETARY TO MOLEX INCORPORATED AND SHOULD NOT BE USED WITHOUT WRITTEN PERMISSION			

BRAD HARRISON
 SWINGER SWITCH - NO/NC
 MINI-CHANGE 3POLE MALE
 MOLEX INCORPORATED