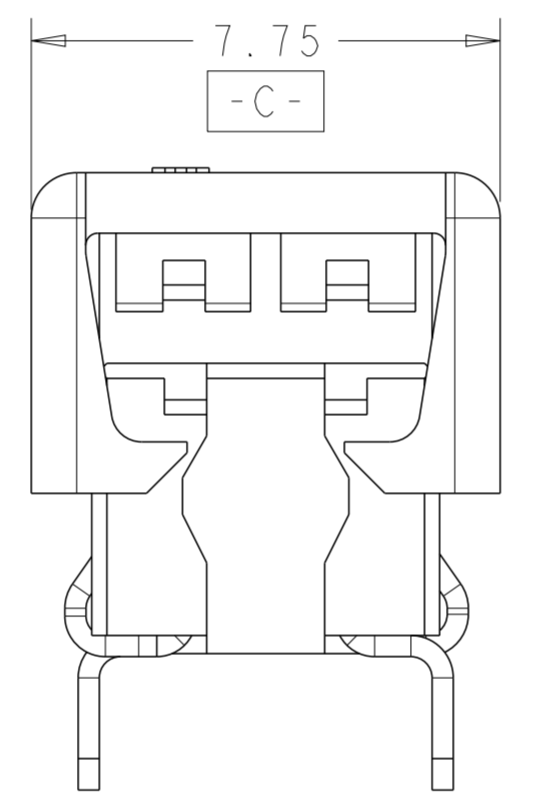
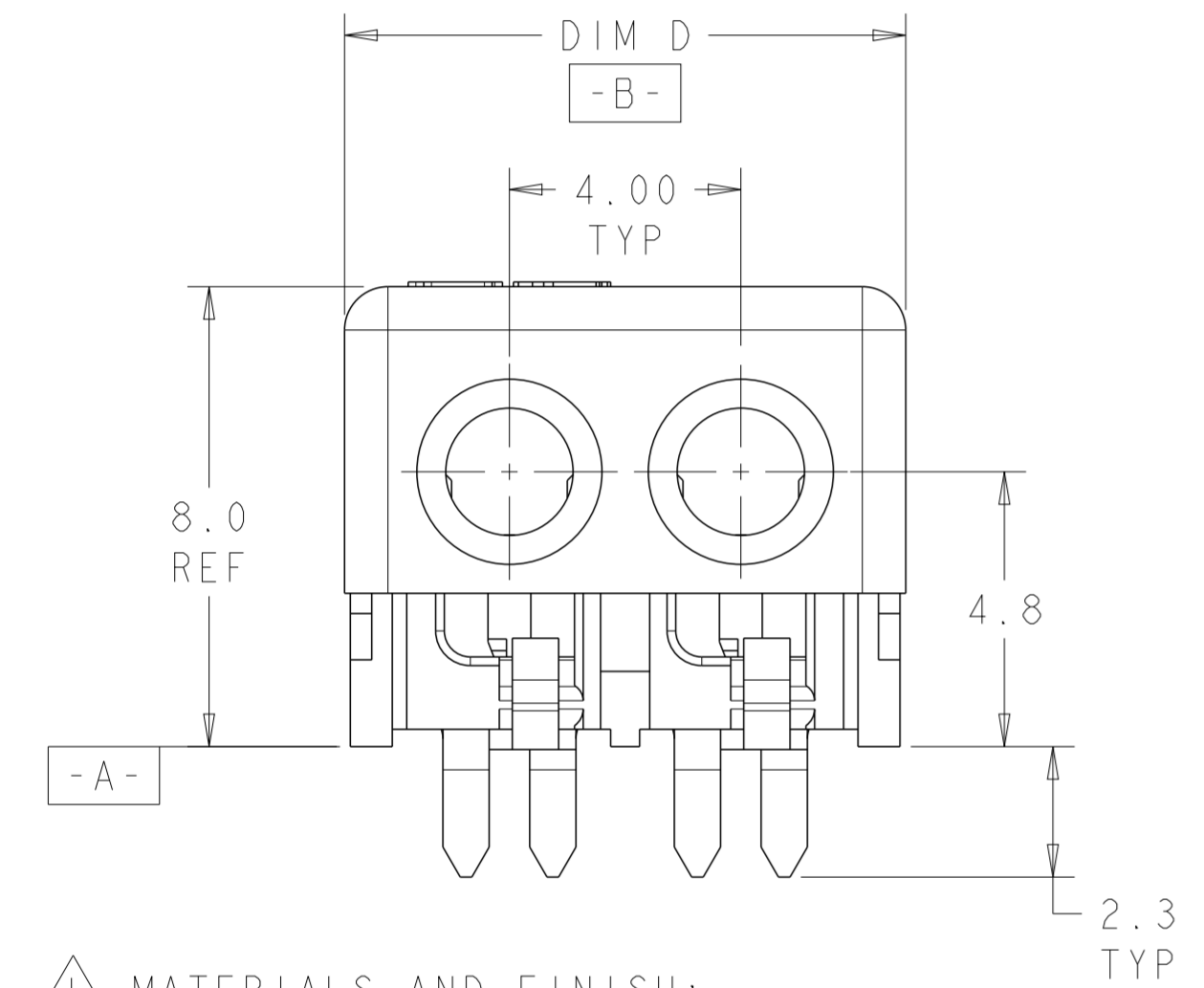
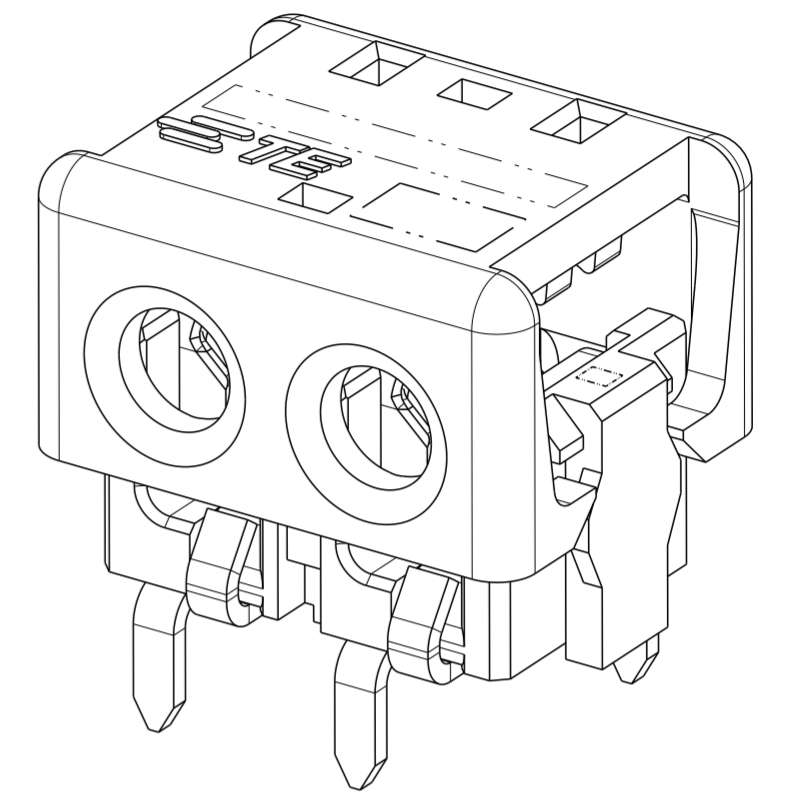
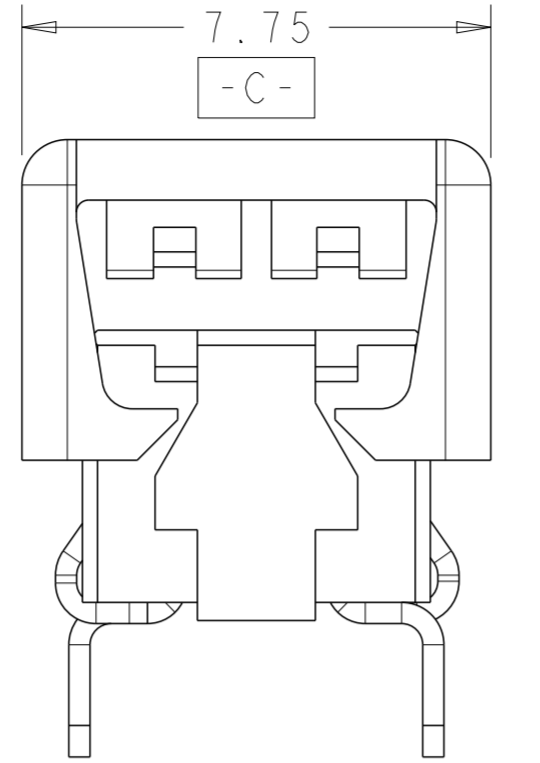
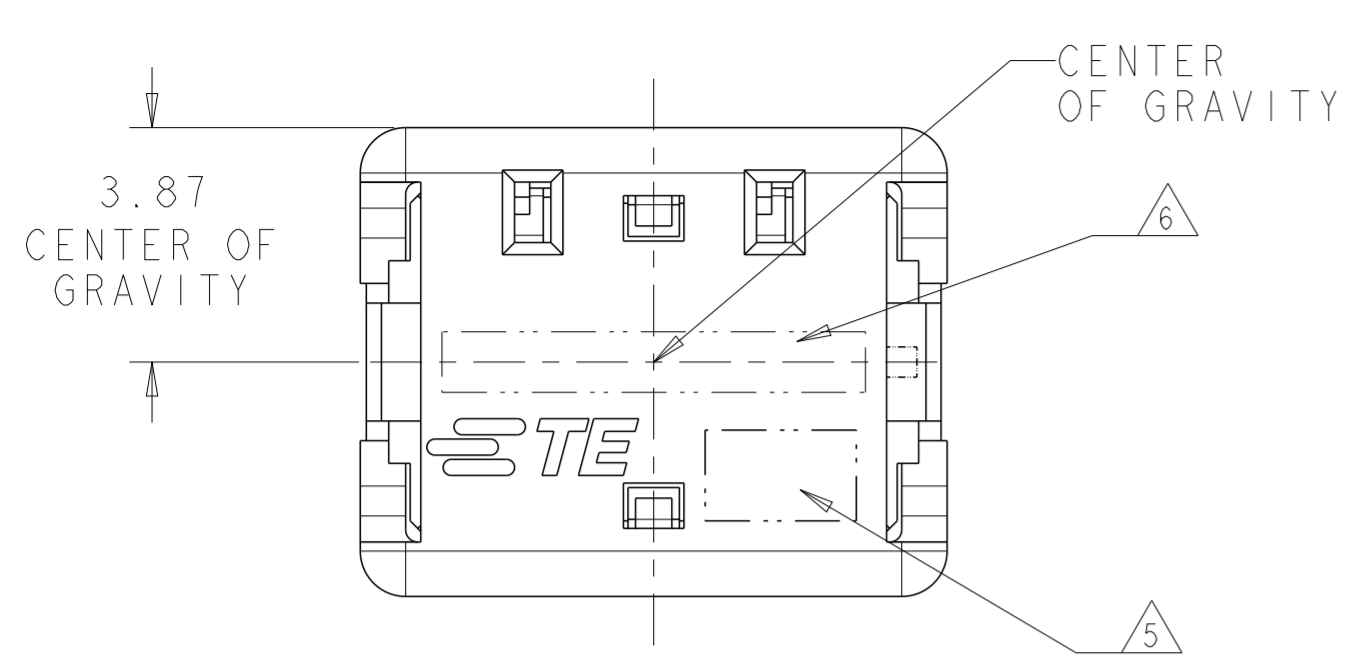
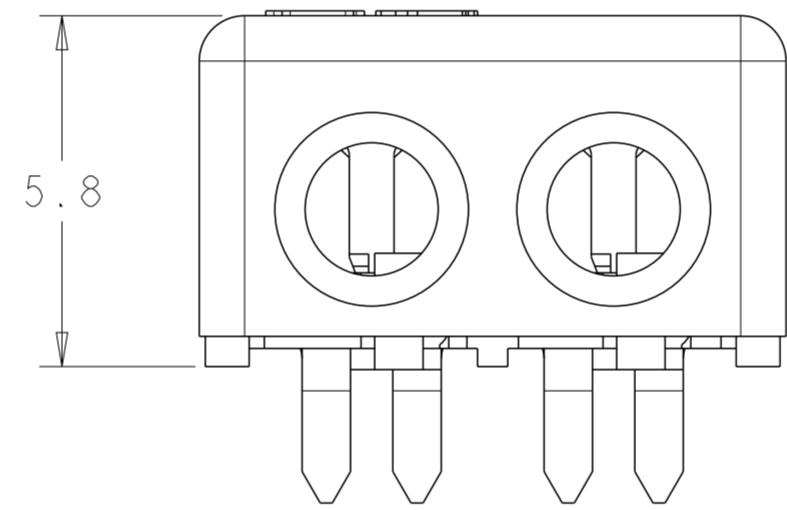


THIS DRAWING IS UNPUBLISHED. RELEASED FOR PUBLICATION 20
 © COPYRIGHT 20 BY - ALL RIGHTS RESERVED.

LOC		DIST		REVISIONS			
P	LTR	DESCRIPTION		DATE	DWN	APVD	
	CM	00					
A1				REVISD PER ECR-12-003555	19APR2012	RS DD	
A2				REVISD PER ECR-12-016877	20OCT2012	RS DD	
B				REVISD PER ECR-15-004054	28JUL2015	RS DD	
C				REVISD PER ECR-15-017995	18DEC2015	RS DD	



2 POSITION SHOWN AS SHIPPED



△ MATERIALS AND FINISH:
 - HOUSING: LCP, COLOR: NATURAL
 - CONTACTS: COPPER ALLOY, FINISH: Sn OVER Ni

2. COMPLY WITH DIRECTIVE 2002/95/EC (ROHS)

3. 18-24AWG SOLID OR STRANDED WIRE.
 PLEASE REFER TO APPLICATION SPEC 114-13266
 FOR RECOMMENDED STRAND COUNT.
 18 AWG MAX INSULATION OD: 2.20
 20 AWG MAX INSULATION OD: 1.90
 22 AWG MAX INSULATION OD: 1.70
 24 AWG MAX INSULATION OD: 1.45

4. PACKAGE IN TAPE AND REEL PER EIA-481 SPECIFICATION

△ WIRE SIZE MARKING IN APPROXIMATE LOCATON SHOWN.

△ COLOR CODE MARKING, STRAIGHT LINE.

△ ONE POSITION ASSEMBLY DOES NOT COMPLY WITH EIA 481 SPECIFICATION.

RED	17.70	24 AWG	4	3-2106489-4
	13.70	24 AWG	3	3-2106489-3
	9.70	24 AWG	2	3-2106489-2
	5.70	24 AWG	1	△ 3-2106489-1
GREEN	17.70	22 AWG	4	2-2106489-4
	13.70	22 AWG	3	2-2106489-3
	9.70	22 AWG	2	2-2106489-2
BLUE	5.70	22 AWG	1	△ 2-2106489-1
	17.70	20 AWG	4	1-2106489-4
	13.70	20 AWG	3	1-2106489-3
	9.70	20 AWG	2	1-2106489-2
YELLOW	5.70	20 AWG	1	△ 1-2106489-1
	17.70	18 AWG	4	2106489-4
	13.70	18 AWG	3	2106489-3
	9.70	18 AWG	2	2106489-2
COLOR CODE	5.70	18 AWG	1	△ 2106489-1
	DIM D	WIRE SIZE	POSN	PART NUMBER

THIS DRAWING IS A CONTROLLED DOCUMENT. DWN C DAILY 11JUN2009
 CHK O OSAGIE 11JUN2009

STE TE Connectivity

ASSEMBLY, IDC SSL CONNECTOR, THROUGH HOLE, CLOSED END

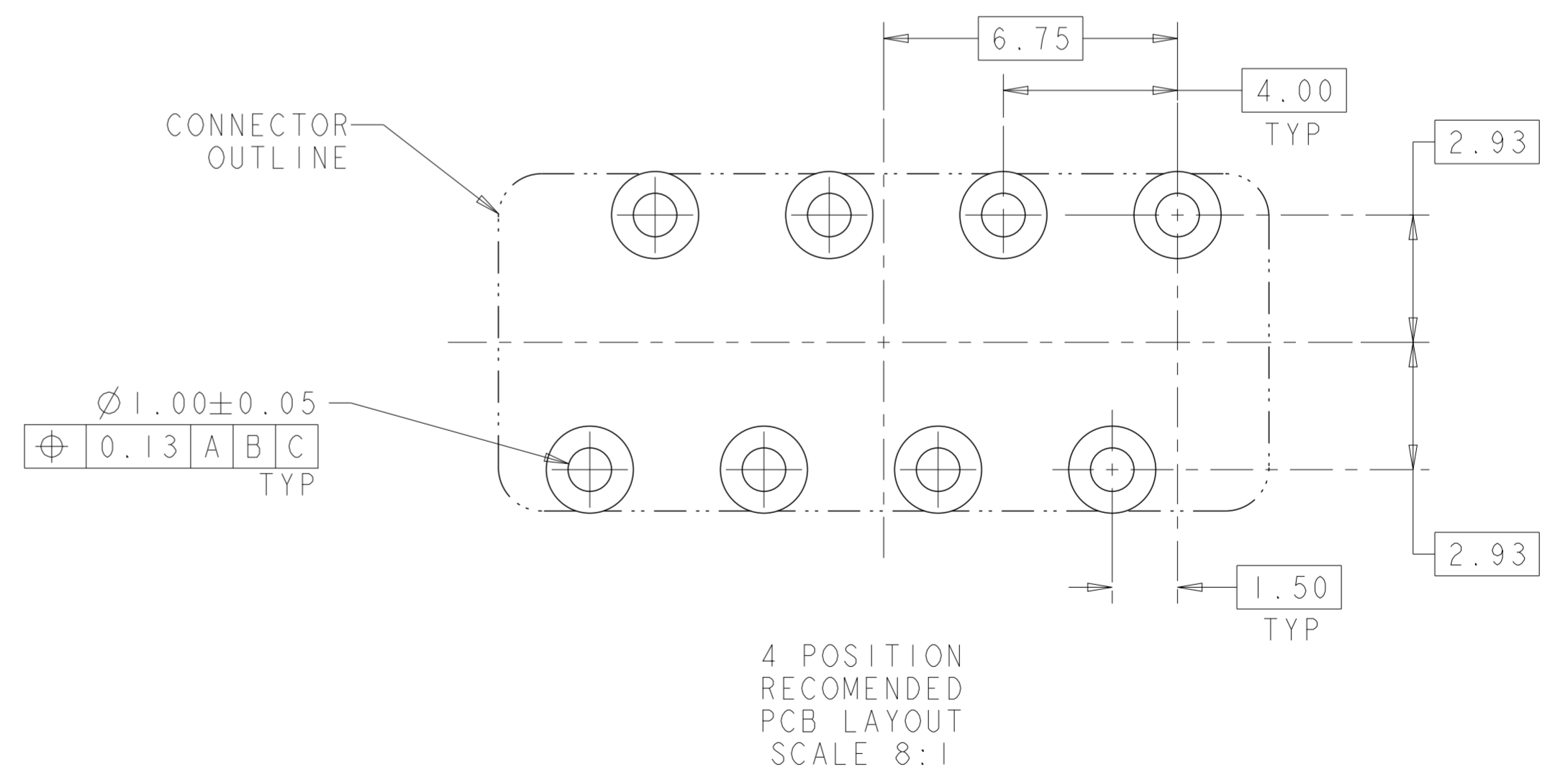
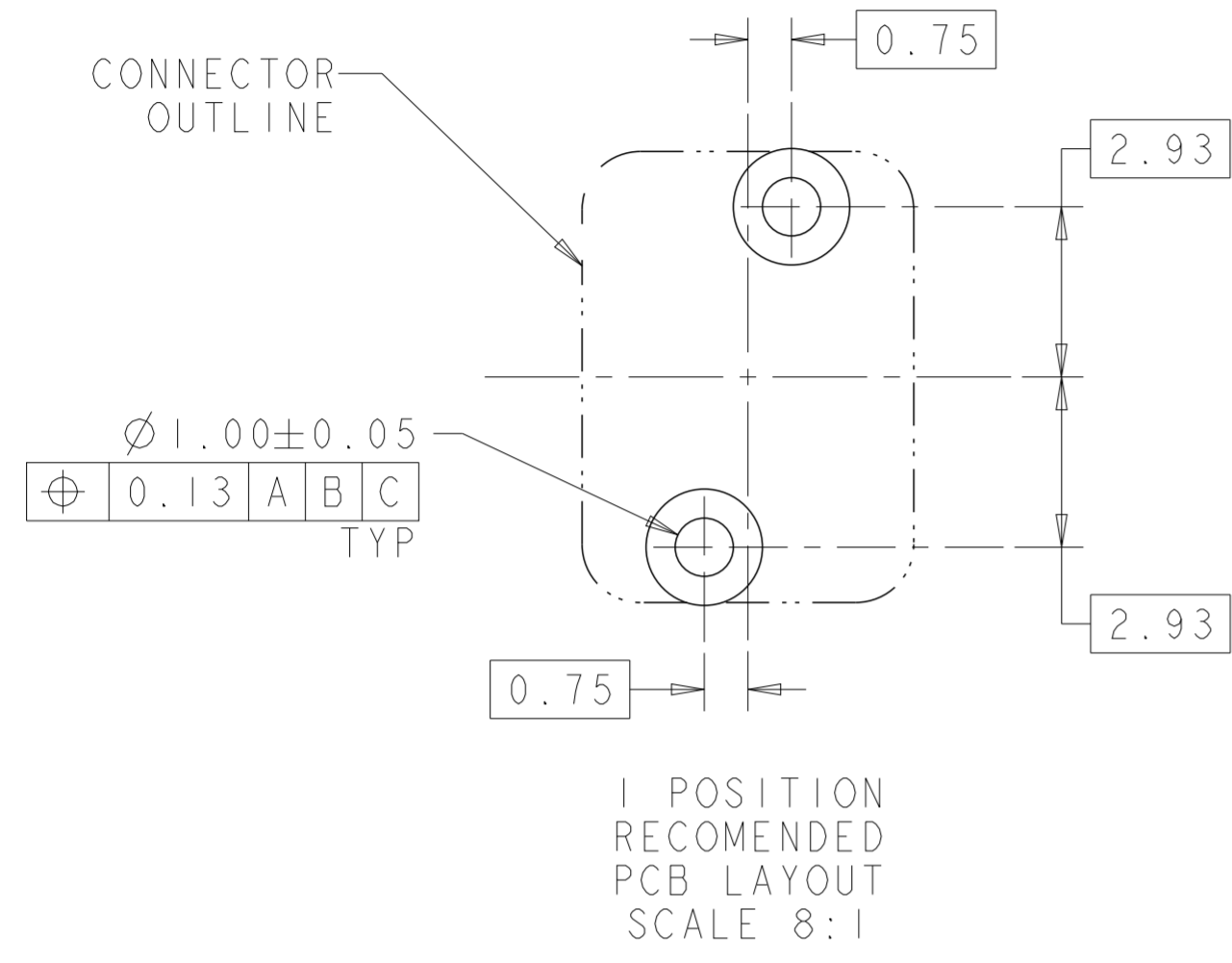
APVD -
 PRODUCT SPEC 108-2404
 APPLICATION SPEC 114-13266
 WEIGHT -

MATERIAL △ - TOLERANCES UNLESS OTHERWISE SPECIFIED:
 0 PLC ±
 1 PLC ±0.5
 2 PLC ±0.13
 3 PLC ±
 4 PLC ±
 ANGLES ±
 FINISH △ -

NAME -
 SIZE A2 CAGE CODE 00779 DRAWING NO C-2106489 RESTRICTED TO -
 SCALE 8:1 SHEET 1 OF 3 REV C

Customer Drawing

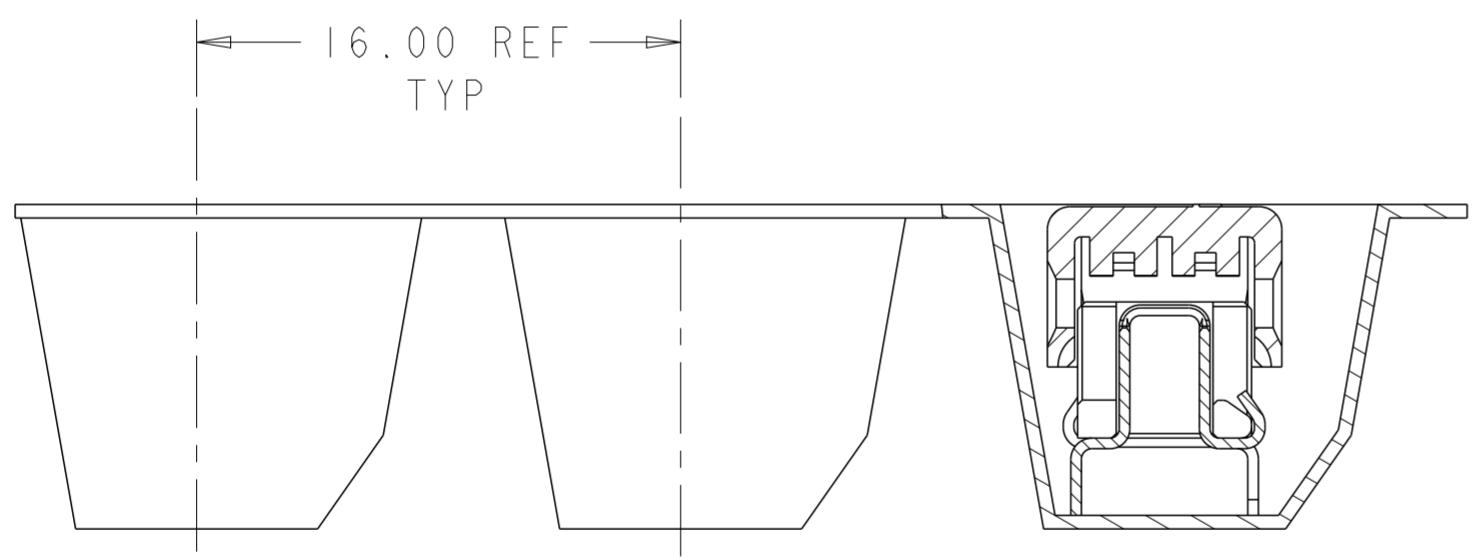
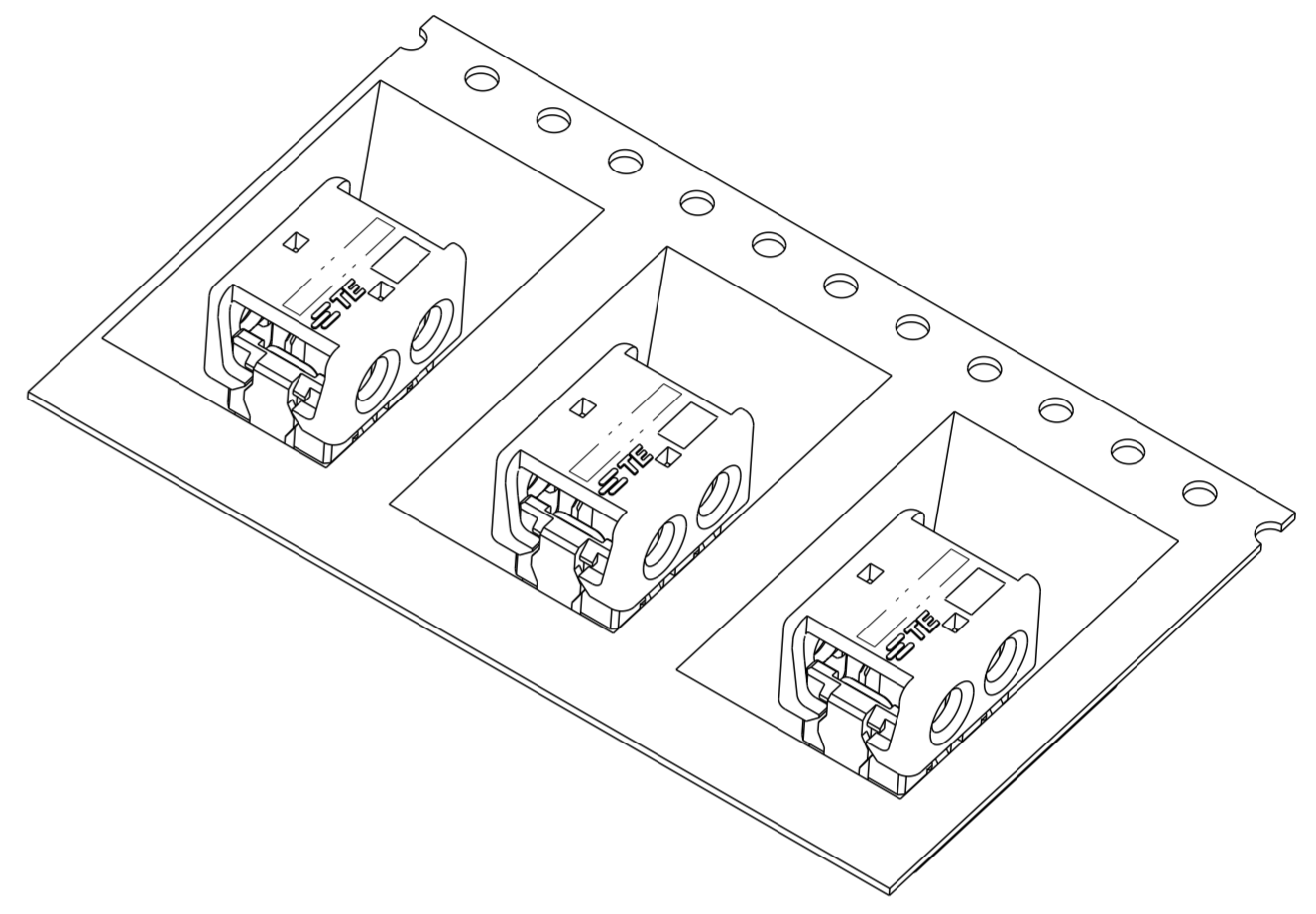
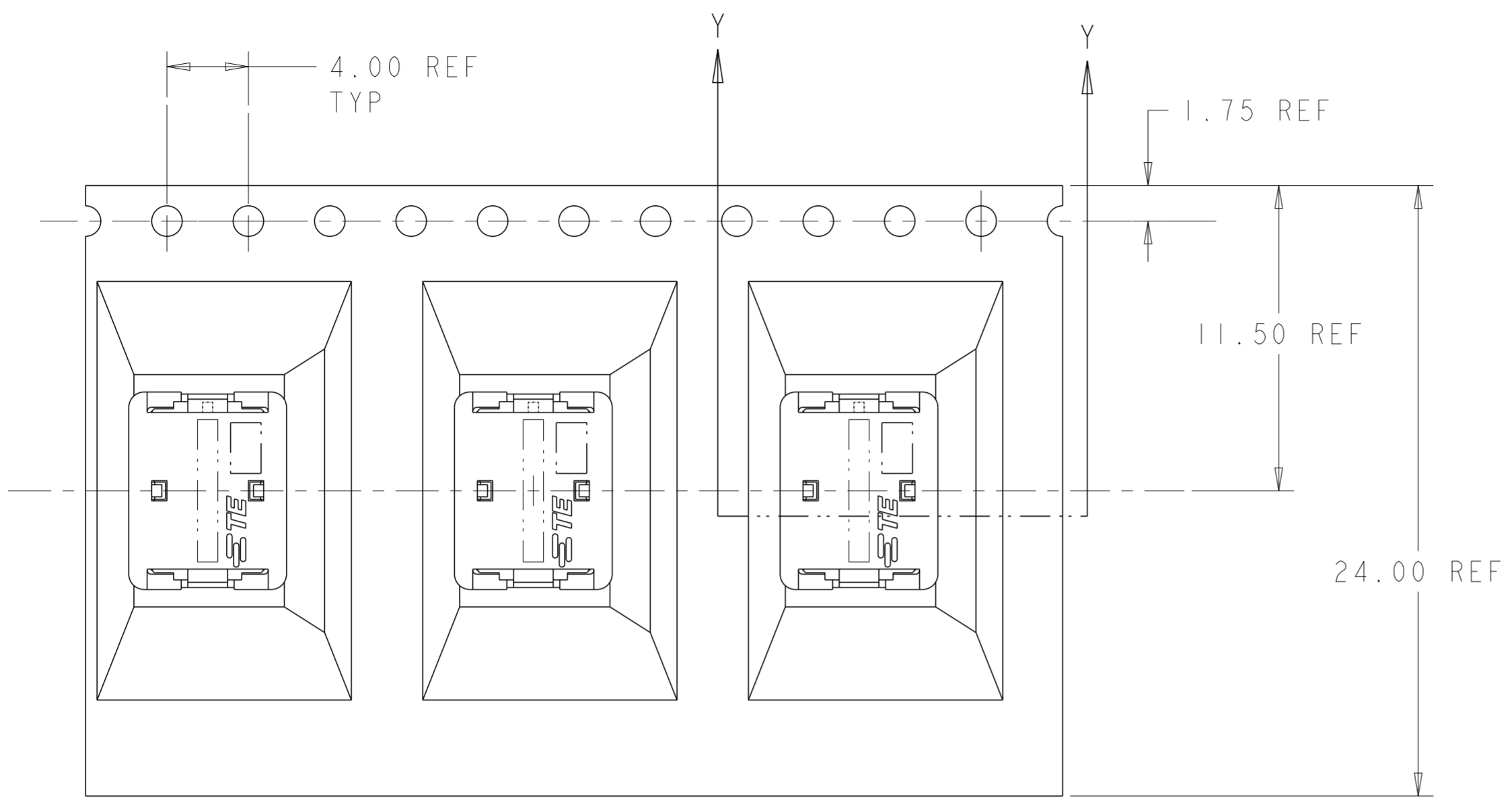
LOC		DIST		REVISIONS			
P	LTR	DESCRIPTION		DATE	DWN	APVD	
-	-	SEE SHEET 1		-	-	-	



THIS DRAWING IS A CONTROLLED DOCUMENT.		DWN C DAILY 11 JUN 2009	STE TE Connectivity	
		CHK O QSAGIE 11 JUN 2009		
DIMENSIONS:	TOLERANCES UNLESS OTHERWISE SPECIFIED:	APVD -	NAME ASSEMBLY, IDC SSL CONNECTOR, THROUGH HOLE, CLOSED END	
mm	0 PLC ± 1 PLC ±0.5 2 PLC ±0.13 3 PLC ± 4 PLC ±	PRODUCT SPEC 108-2404	SIZE A200779	
	ANGLES ±	APPLICATION SPEC 114-13266	DRAWING NO C-2106489	
MATERIAL	FINISH	WEIGHT -	RESTRICTED TO -	
material_2	finish_spec_2	Customer Drawing	SCALE 8:1	SHEET 1 OF 3 REV C

THIS DRAWING IS UNPUBLISHED. RELEASED FOR PUBLICATION 20
 © COPYRIGHT 20 BY - ALL RIGHTS RESERVED.

LOC		DIST		REVISIONS				
P	LTR	DESCRIPTION			DATE	DWN	APVD	
-	-	SEE SHEET 1			-	-	-	



SECTION Y-Y

2106489-2 SHOWN IN POCKET TAPE

THIS DRAWING IS A CONTROLLED DOCUMENT.		DWN C DAILY 11 JUN 2009	TE Connectivity	
		CHK O QSAGIE 11 JUN 2009		
DIMENSIONS:	TOLERANCES UNLESS OTHERWISE SPECIFIED:	APVD -	NAME ASSEMBLY, IDC SSL CONNECTOR, THROUGH HOLE, CLOSED END	
mm	0 PLC ± 1 PLC ±0.5 2 PLC ±0.13 3 PLC ± 4 PLC ±	PRODUCT SPEC 108-2404	SIZE A200779	
MATERIAL	FINISH	APPLICATION SPEC 114-13266	DRAWING NO C-2106489	RESTRICTED TO -
material_2	finish_spec_2	WEIGHT -	SCALE 8:1	SHEET 1 OF 3
Customer Drawing			REV C	