



Feature -

- SPST, momentary function
- snap in panel mount installation
- bi-color LED illuminated available

Application -

- automotive industry
- computer products
- office appliances
- communication equipments

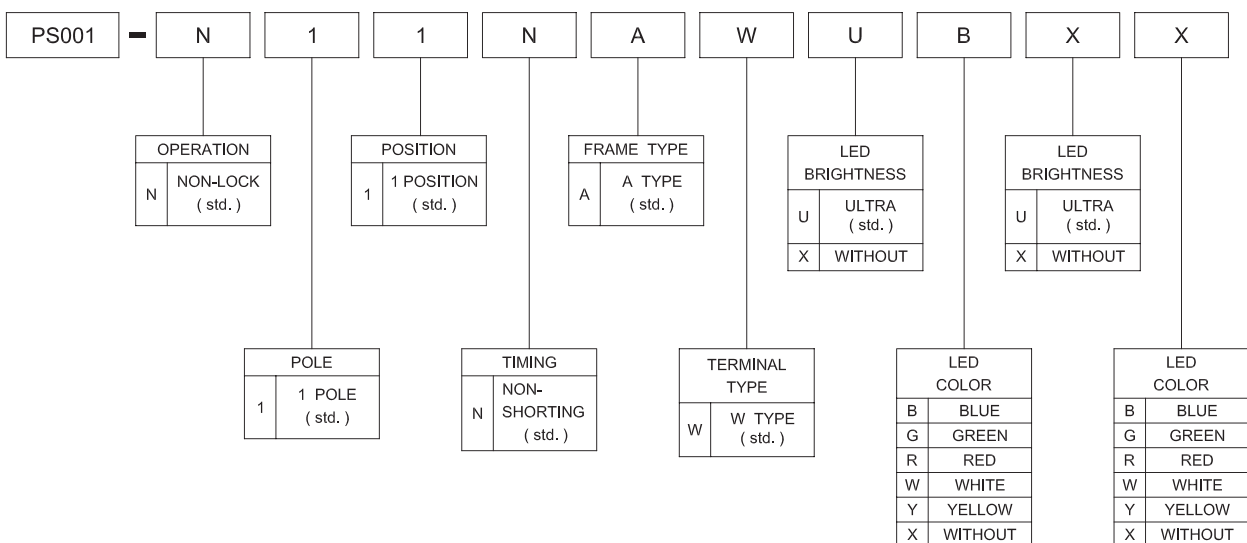
► SPECIFICATIONS

| SWITCH SPECIFICATIONS       |   |
|-----------------------------|---|
| POLE - POSITION             | Momentary Type , SPST with LED                              |
| CONTACT RATING              | 30 V DC , 0.1 A   |
| CONTACT RESISTANCE          | 50 mΩ MAX. 1.5 V DC ; 100 mA ,<br>by Method of Voltage DROP |
| INSULATION RESISTANCE       | 100 MΩ MIN. 500 V DC  |
| DIELECTRIC STRENGTH         | Breakdown is not Allowable ;<br>500 V AC for 1 Minute       |
| OPERATING FORCE             | 250 ± 100 gf  |
| OPERATING LIFE              | 50,000 cycles   |
| OPERATING TEMPERATURE RANGE | -40°C ~ 85°C  |
| TOTAL TRAVEL                | 1.3 ± 0.3 mm  |

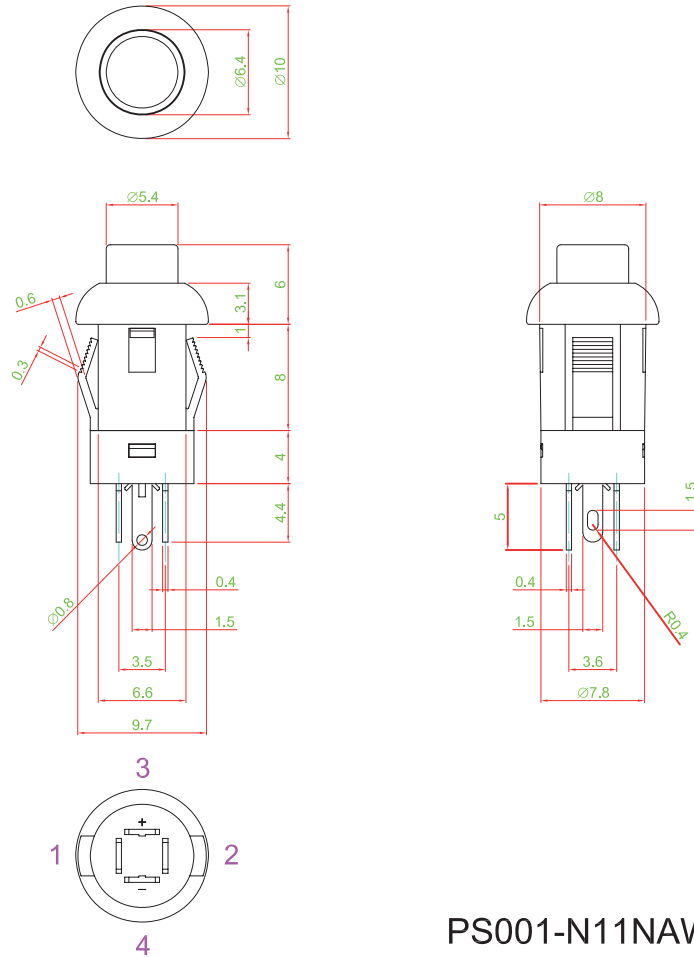
| LED SPECIFICATIONS  |                         | Unit | Value / LED Color |         |         |         |
|---|-------------------------|------|-------------------|---------|---------|---------|
|   |                         |      | Blue              | Green   | Red     | Yellow  |
| ATTENTION (+) (-)<br>LEDs are Electrostatic Sensitive devices | FORWARD CURRENT         | If   | 20                | 20      | 20      | 20      |
|   | REVERSE VOLTAGE         | Vr   | 5.0               | 5.0     | 5.0     | 5.0     |
|   | REVERSE CURRENT         | Ir   | 10                | 10      | 10      | 10      |
|   | FORWARD VOLTAGE@20mA    | Vf   | 3.3-4.0           | 2.1-2.5 | 2.0-2.5 | 2.0-2.5 |
|   | LUMINOUS INTENSITY@20mA | Iv   | 1300              | 700     | 900     | 700     |

■ Physical and electrical information of LED will be provided upon customer's request on switches .

► HOW TO ORDER

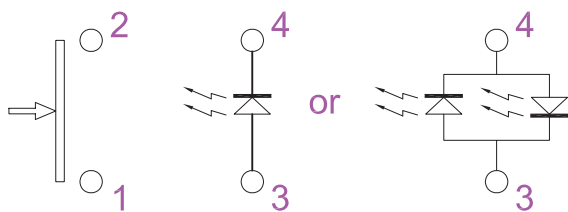


▶ DIMENSION

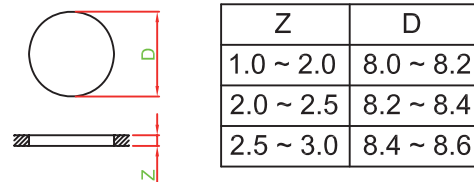


PS001-N11NAW

▶ LED CIRCUIT DIAGRAM



▶ PANEL CUT OUT



▶ MATERIAL

- COVER : PA + GF
- BASE FRAME : PA + GF
- ACTUATOR : PC
- TERMINAL : BRASS GOLD FLASH