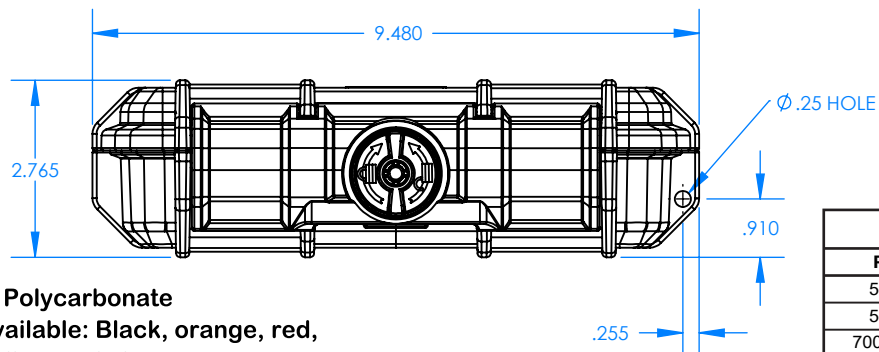
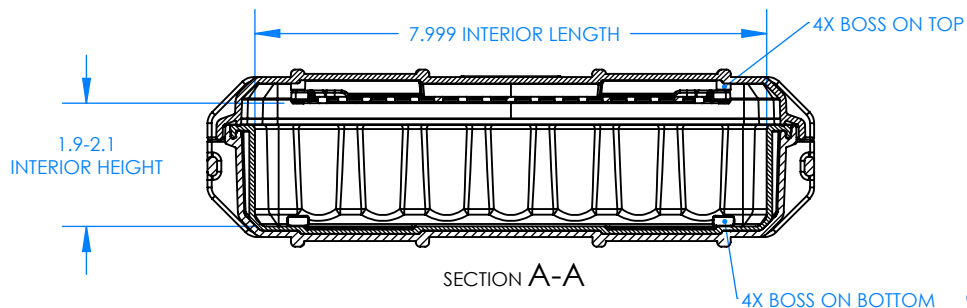
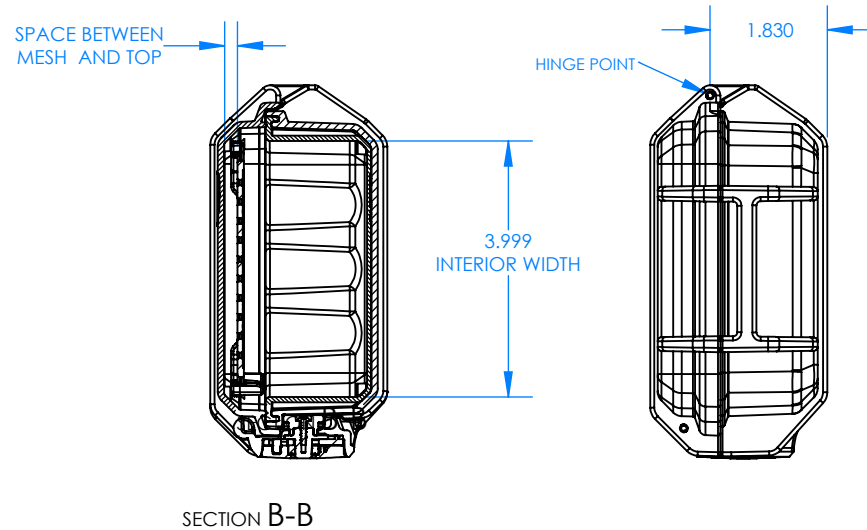
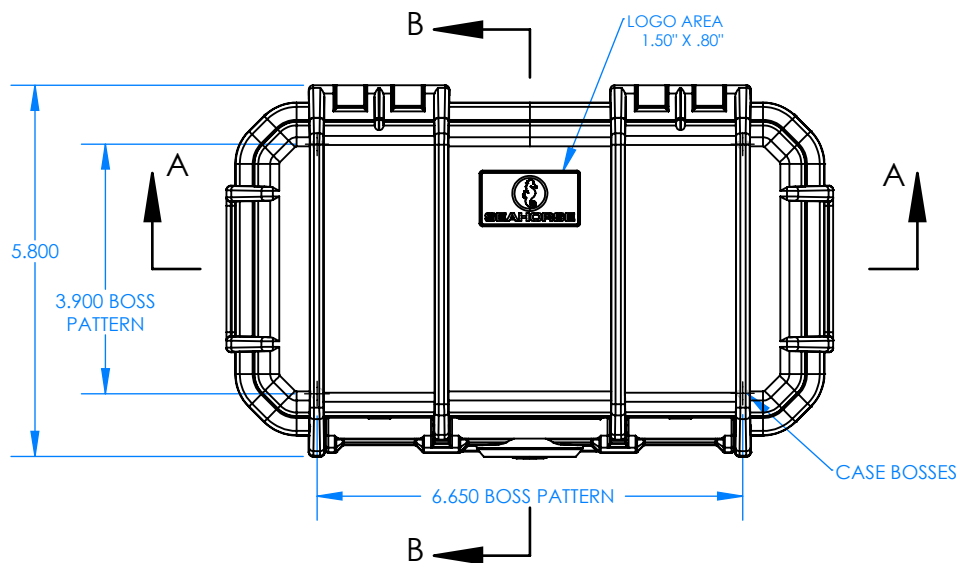


# SEAHORSE

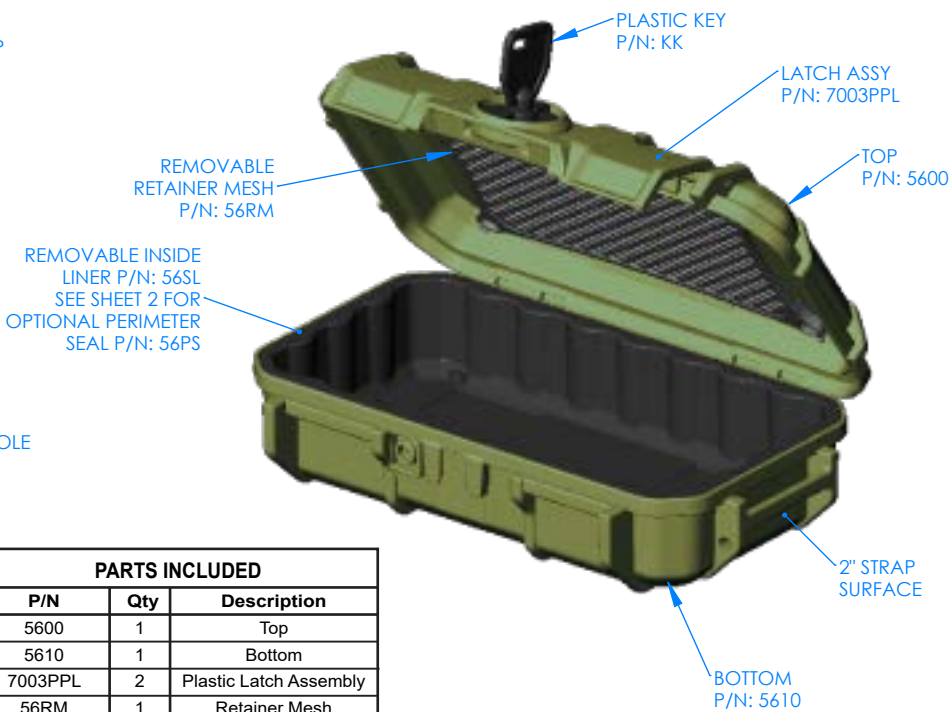
PROTECTIVE EQUIPMENT CASES

# 56



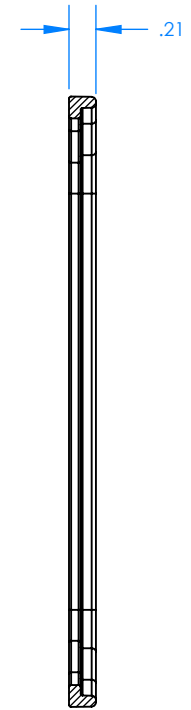
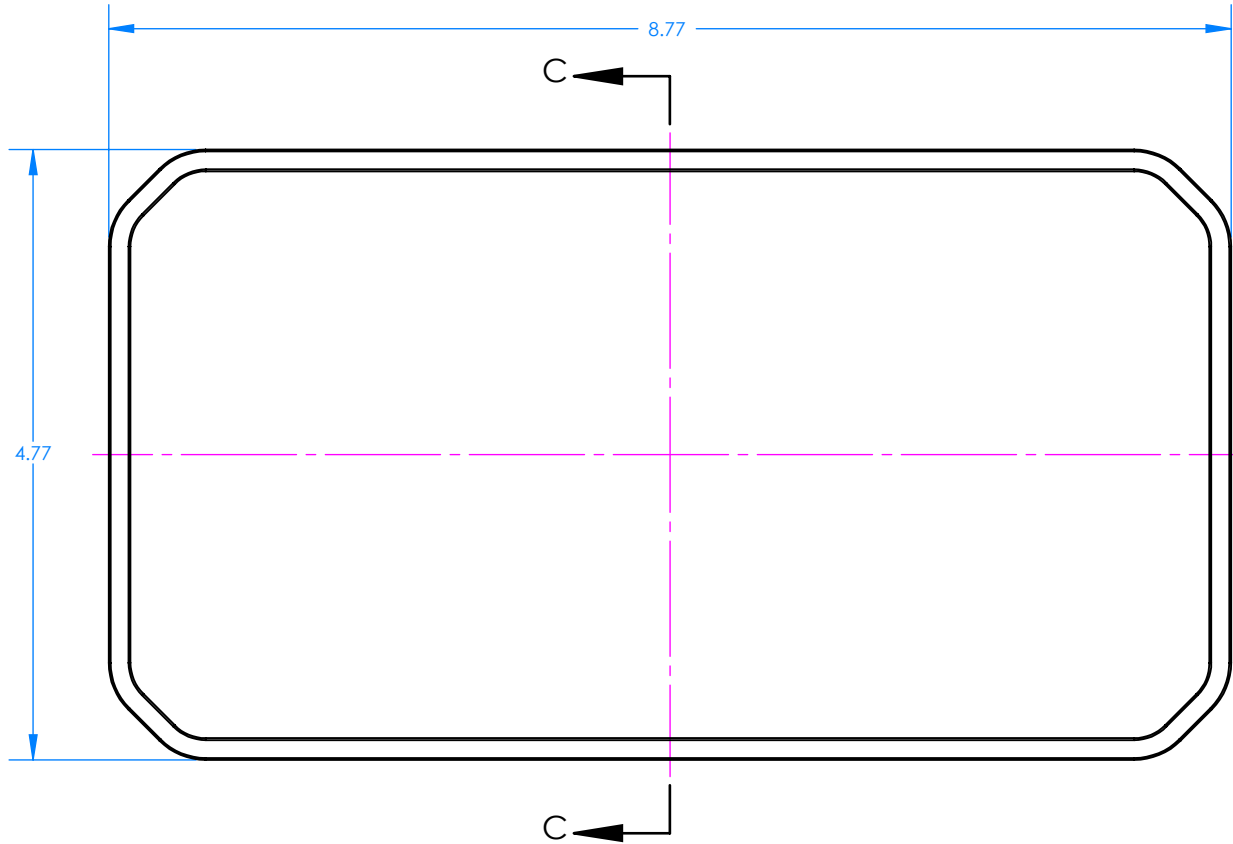
**NOTES:**

- 1) Material: Polycarbonate
- 2) Colors available: Black, orange, red, green, yellow and clear.
- 3) Maximum usable inside dimensions are: 8.00" X 4.00" X 2.13" (with Seal Liner)



PARTS INCLUDED		
P/N	Qty	Description
5600	1	Top
5610	1	Bottom
7003PPL	2	Plastic Latch Assembly
56RM	1	Retainer Mesh
56SL	1	Inside Seal Liner
KK	1	Plastic Key Set

# 56PS Perimeter Seal



SECTION C-C  
SCALE 1 : 1.5