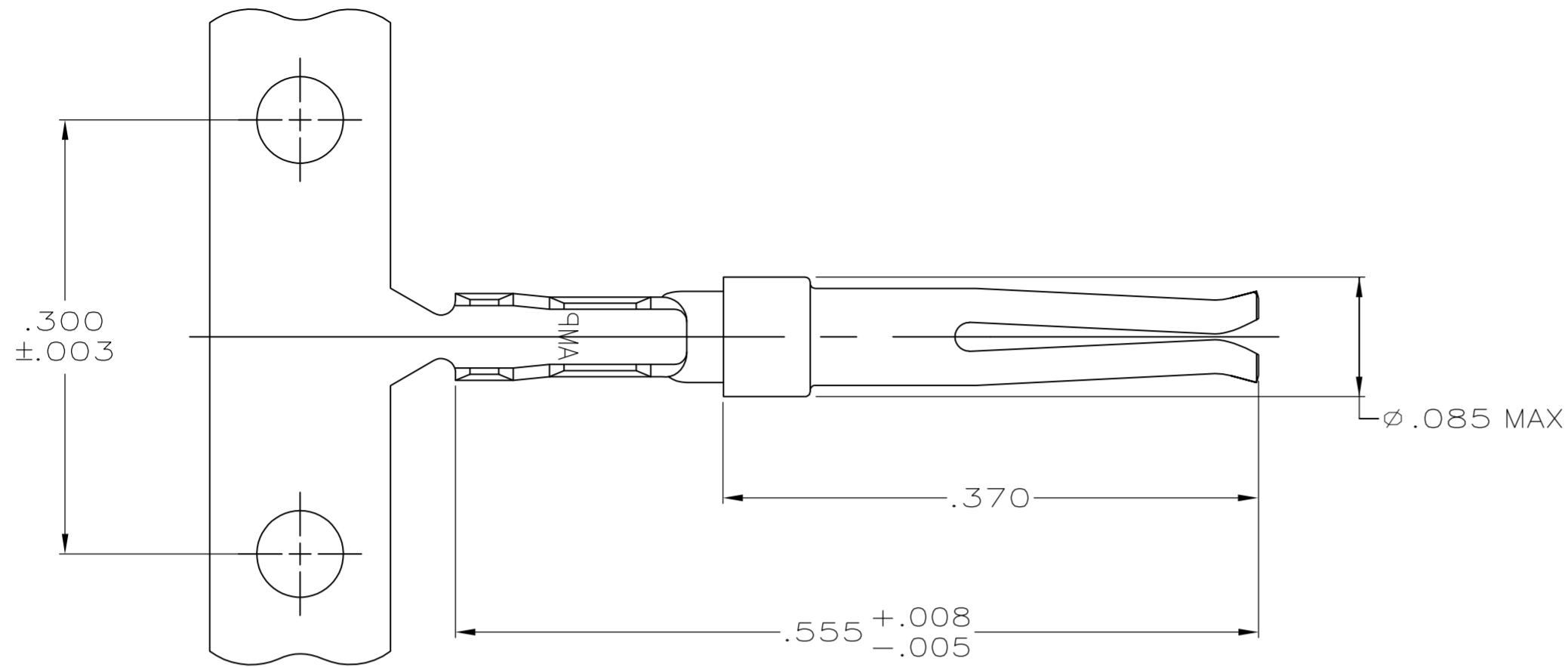
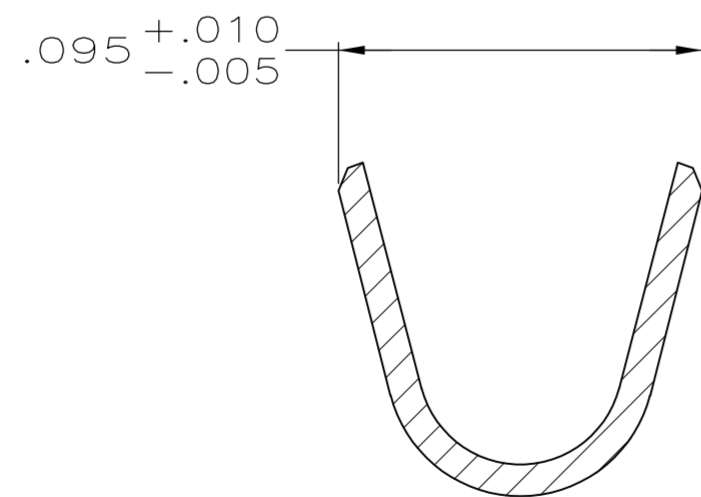
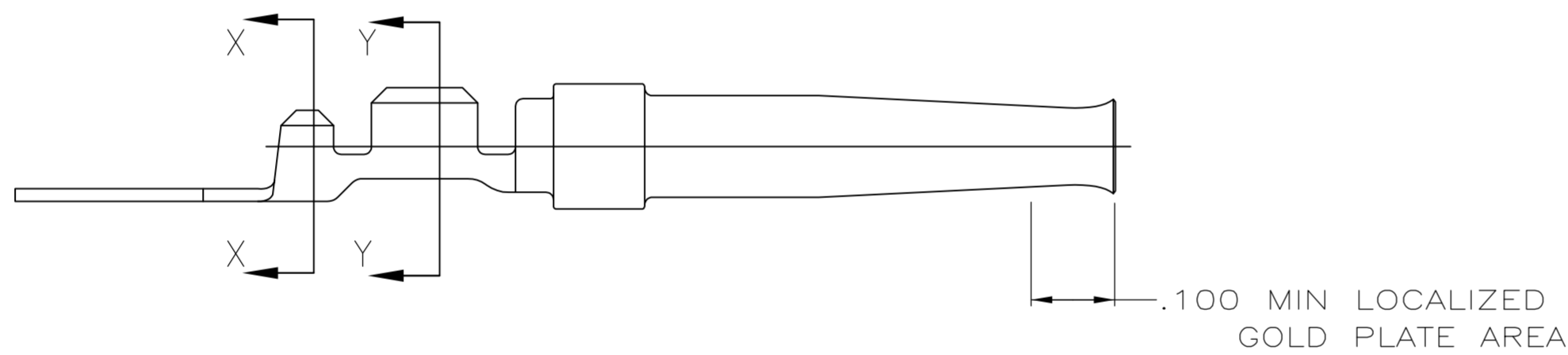
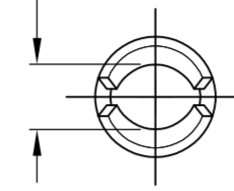


THIS DRAWING IS UNPUBLISHED. RELEASED FOR PUBLICATION
 © COPYRIGHT BY TYCO ELECTRONICS CORPORATION. ALL RIGHTS RESERVED.

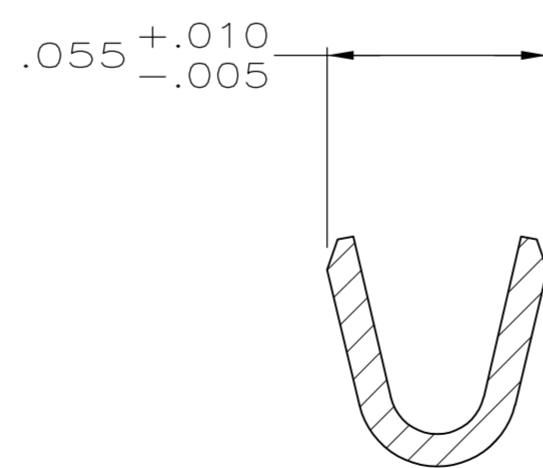
LOC	DIST	REVISIONS			
P	LTR	DESCRIPTION	DATE	DWN	APVD
GP	00				
	C	REVISED PER ECO-08-019103	19AUG2008	ZMRCWR	



I.D. ACCOMMODATES
 ∅ .0400 ± .0015
 PIN CONTACT



SECTION X-X
 SCALE 20:1



SECTION Y-Y
 SCALE 20:1

- 1 PLATED WITH .000030 GOLD ON INSIDE OF LOCALIZED GOLD PLATE AREA, .000100 TIN ON CRIMP BARRELS, ALL OVER .000050 NICKEL UNDERPLATE.
 -OR-
 GOLD FLASH OVER PALLADIUM-NICKEL .000030 TOTAL ON INSIDE OF LOCALIZED GOLD PLATE AREA, .000100 TIN ON CRIMP BARRELS, ALL OVER .000050 NICKEL UNDERPLATE.
- 2 GOLD FLASH ON INSIDE OF LOCALIZED GOLD PLATE AREA, .000100 TIN PLATED CRIMP BARRELS, ALL OVER .000030 NICKEL UNDERPLATE.
- 3 CRIMP STRIP USING AMP MINI APPLICATOR.
- 4 CONTACT ACCEPTS WIRE RANGE OF 24-28 AWG AND INSULATION RANGE OF .050-.060.

1	1-5066683-0
2	5066683-7
FINISH	PART NUMBER

THIS DRAWING IS A CONTROLLED DOCUMENT.		DWN G. ATTADIA 11-10-04	Tyco Electronics Corporation	
DIMENSIONS: INCHES		CHK J. GERACE 11-10-04	Harrisburg, PA 17105-3608	
TOLERANCES UNLESS OTHERWISE SPECIFIED:		APVD M. WALMSLEY 11-10-04	NAME	
0 PLC ± -	1 PLC ± -	PRODUCT SPEC 108-40005	SOCKET CONTACT, SIZE 20 DF, AMPLIMITE	
2 PLC ± -	3 PLC ± .005	APPLICATION SPEC 114-10000	SIZE A2	CAGE CODE 00779
4 PLC ± -	ANGLES ± -	WEIGHT -	DRAWING NO C=5066683	RESTRICTED TO -
MATERIAL PHOSPHOR BRONZE	FINISH SEE TABLE	CUSTOMER DRAWING	SCALE 10:1	SHEET 1 of 1
			REV C	