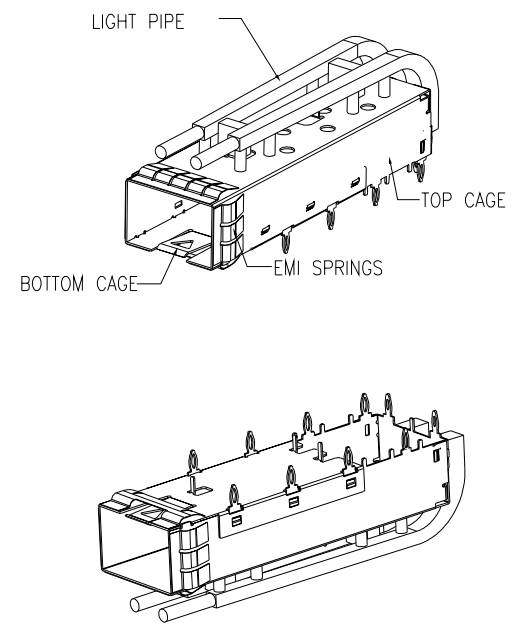
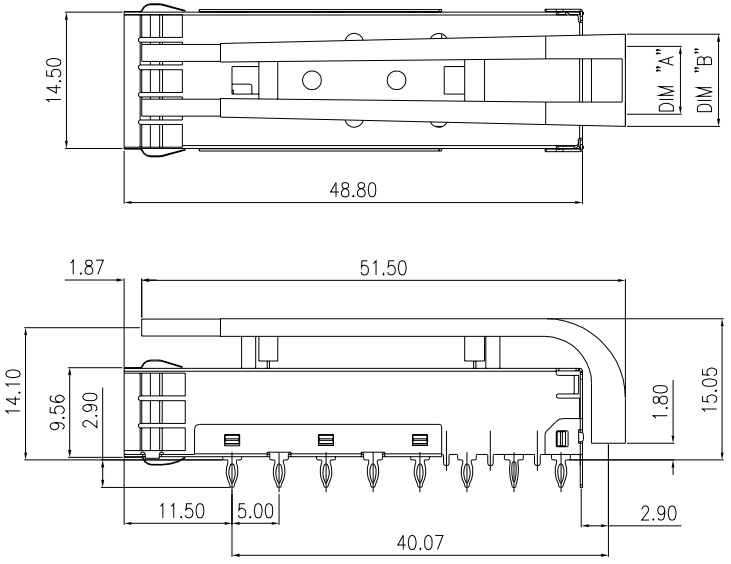
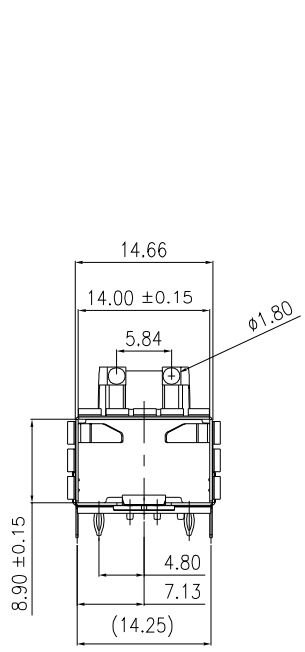


Product Number	DIM "A"	DIM "B"	DIM "C"	DIM "D"	Packaging
10126907-101LF	7.20	9.80	3.60	3.60	Tray



- NOTES:
- | | | | |
|----------------|------|----------------------------|------------|
| 1, DESCRIPTION | Q'ty | MATERIAL | PLATING |
| TOP CAGE | 1PCS | NICKEL SILVER ALLOY T=0.25 | NO PLATING |
| BOTTOM CAGE | 1PCS | NICKEL SILVER ALLOY T=0.25 | NO PLATING |
| EMI SPRINGS | 1PCS | COPPER ALLOY T=0.08 | Ni PLATED |
| LIGHT PIPE | 1PCS | POLYCARBONATE, CLEAR | N/A |
- 2, PRODUCT SPECIFICATION: GS-12-1165
3, APPLICATION SPECIFICATION: GS-20-0384
4, PACKAGE PER GS-14-2344 AND GS-14-920

spec ref	RELEASE	dr	Art Lin	2014-01-13	projection 	MM ←→	size	scale
tolerance std	TOLERANCES UNLESS OTHERWISE SPECIFIED	eng	Zhen Luo	2014-01-13			A4	1:1
ISO406		chr	Collins Lu	2014-01-14			ecn no	
ISO1101		appr	JEFFREY QIN	2014-01-14	product family	SFP+	rel level	Released
surface	linear	0.X	±0.25		title	dwg no	10126907	rev
ISO1302		0.XX	±0.20					
	0.XXX	±0.15						
	angular	0°	±0.5°					
		www.fci.com	cat. no.	-	Product-Customer Drw	sheet 1 of 3		

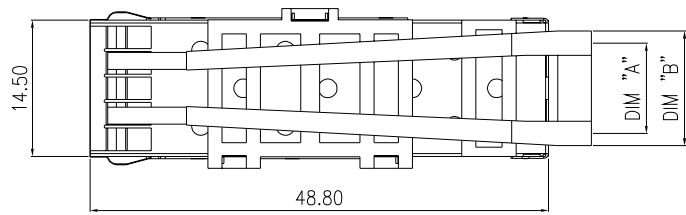
Proj/E File - REV C - 2009-06-09



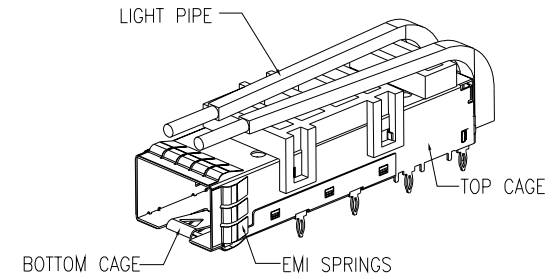
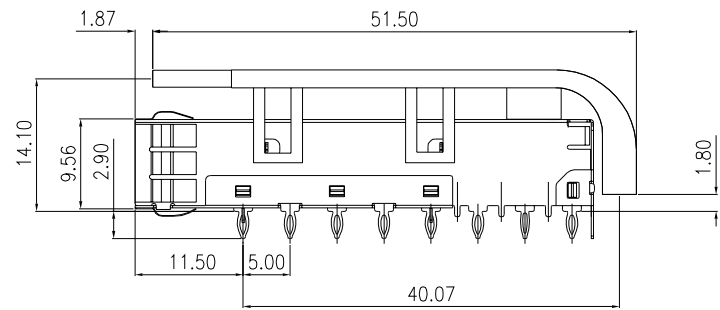
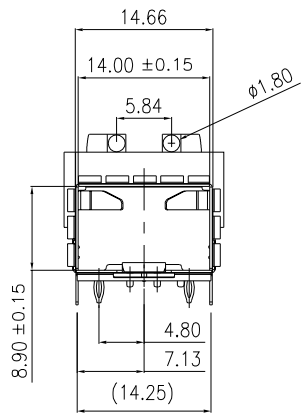
Copyright FCI.

Product Number	DIM "A"	DIM "B"	DIM "C"	DIM "D"	Packaging
10126907-2011LF	9.60	12.20	4.80	4.80	Tray

A



B



A

B

C

C



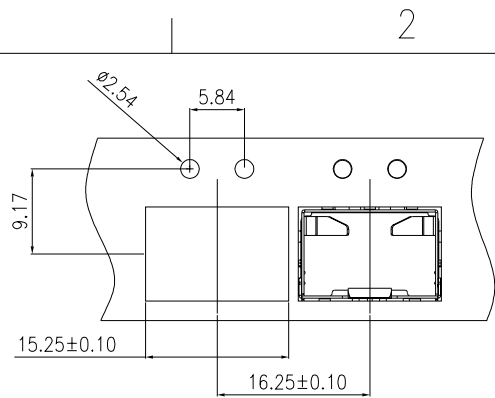
Copyright FCI.

D

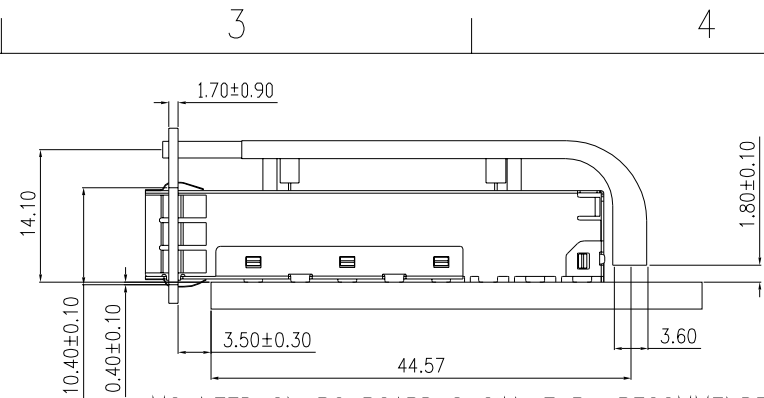
D

spec ref	RELEASE			dr	Art Lin	2014-01-13	projection 	MM ←→	size	A4	scale	1:1	
tolerance std	TOLERANCES UNLESS OTHERWISE SPECIFIED			eng	Zhen Luo	2014-01-13			product family	ecn no		rel level	
ISO406 ISO1101				chr	Collins Lu	2014-01-14				SFP+		Released	
surface	linear	0.X	±0.25	www.fci.com	title	SFP+ 1X1 CAGE ASSEMBLY EMI SPRING TYPE PRESS FIT WITH LIGHTPIPE			dwg no	10126907		rev	
ISO1302		0.XX	±0.20										
	0.XXX	±0.15											
	angular	0°	±0.5°	cat. no.	-			Product-Customer Drw		sheet 2 of 3			

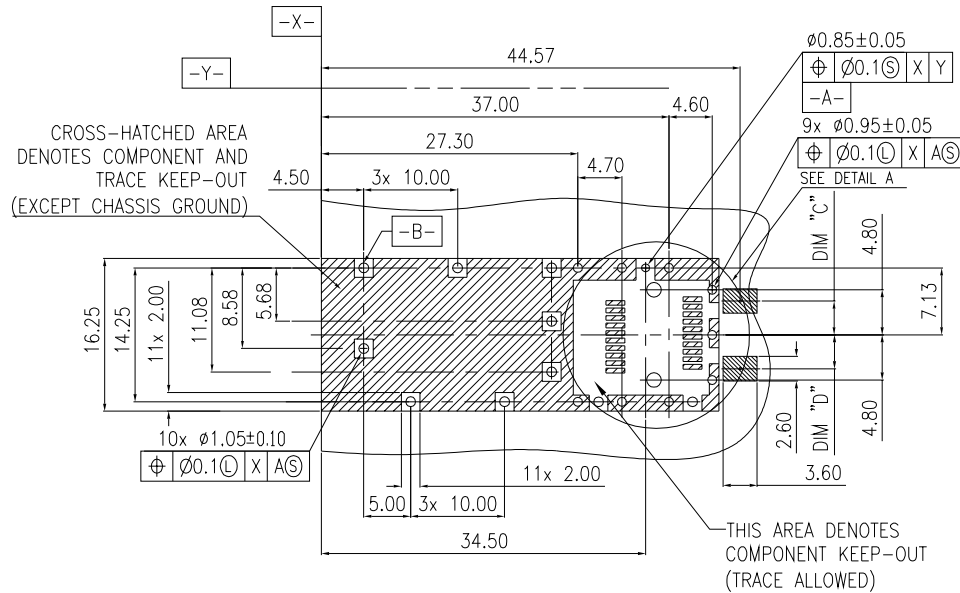
Pro/E File - REV C - 2009-06-09



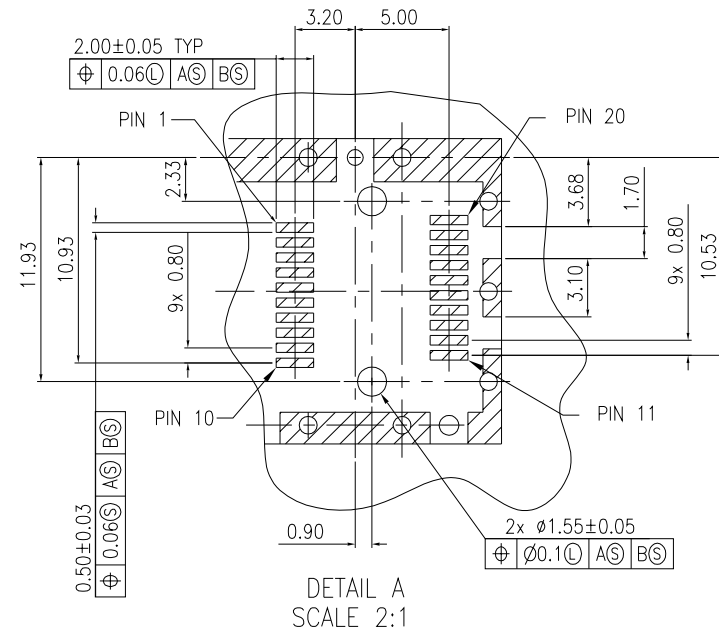
RECOMMENDED BEZEL CUT-OUT SINGLE SIDED APPLICATIONS



MOUNTED ON PC BOARD SHOWN THRU RECOMMENDED BEZEL
(10126907-201LF POSITION IS SAME TO 10126907-101LF)



PCB LAYOUT THICKNESS=3.0mm (TOP VIEW)



Copyright FCI.

spec ref	RELEASE	dr	Art Lin	2014-01-13	projection	size	scale
tolerance std	TOLERANCES UNLESS OTHERWISE SPECIFIED	eng	Zhen Luo	2014-01-13		A4	1:1
ISO406		chr	Collins Lu	2014-01-14		MM	ecn no
ISO1101		appr	JEFFREY QIN	2014-01-14	product family	SFP+	rel level
surface			title		dwg no	10126907	rev
ISO1302			SFP+ 1X1 CAGE ASSEMBLY				
	linear	0.X	±0.25	www.fci.com	cat. no.	-	Product-Customer Drw
		0.XX	±0.20				
		0.XXX	±0.15				
	angular	0°	±0.5°				sheet 3 of 3

Proj/E File - REV C - 2009-06-09