

15.5kV E-Rated

Medium voltage fuses for feeder circuit, switchgear and transformer protection



Description:

- The Bussmann® series of E-Rated, current-limiting, medium voltage fuses are for feeder circuit, switchgear and transformer protection.

Features and benefits:

- Current-limiting E-Rated medium voltage fuses are defined by their melting time-current characteristic that permit their electrical interchangeability with other fuses of the same E Rating.
- E-Rated fuses must have a defined current response time specified by ANSI C37.46. E-Rated fuse of 100 amps and below must melt in 300 seconds at an RMS current within the range of 200% to 240% of the fuse's nameplate current rating. E-Rated fuses greater than 100 amps must melt in 600 seconds at an RMS current within the range of 220% to 264% of the fuse's nameplate current rating.
- E-Rated fuses are physically dimensioned for easy installation in existing hardware.
- Current-limiting fuses provide positive interruption even on low fault currents. The fuse limits the magnitude of electromechanical stresses in the protected apparatus.
- Constructions available in ferrule, bolt-on and clip-lock, and specialty mount fuses for AMPGARD™ motor starters
- Outdoor rating available on select catalog numbers (requires installation in a suitable enclosure).
- Open fuse indicator easily integrates into automation schemes and speeds troubleshooting by providing a positive visual indication of fuse operation.
- 50/60Hz operating frequency for worldwide application.
- Mountings are available in disconnect and non-disconnect versions with porcelain or glass polyester insulators.
- Live parts and end fittings available.

Typical applications:

- Medium voltage transformer primary protection
- Medium voltage feeder circuit protection
- Medium voltage switches
- Medium voltage metal-enclosed switchgear



Powering Business Worldwide

E-Rated medium voltage ferrule fuses

Catalog symbols:

- General purpose
 - 15CLE-_E-D (long construction, 10-25A)
 - 15CLE-_E (long construction, 15-300A)
 - 15HLE-_E (short construction, 10-250A)
 - 15LHLE-_E (intermediate construction, 65-300A)
- Full range (per ANSI C37.40)
 - MV155F_

Ratings*:

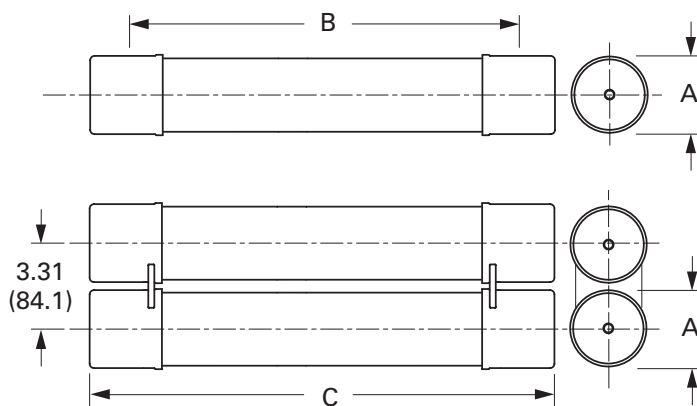
- Volts — 15.5kV
- Amps — 10 to 300A
- Interrupting ratings — 31.5 to 63kA RMS Sym.

* See catalog number tables for voltages, ampacities and interrupting ratings by catalog number.

Agency information:

- E-Rated fuses meet the performance characteristics of ANSI C37.46
- UL® Listed, Guide JEEG, File E240398. See catalog numbers.

Dimensions (see catalog number tables for values)



Recommended fuseclips and holders:

| Amp rating | Fuse mounting type* | Voltage BIL (kV) | Approximate dimensions - in (mm) | | | Catalog number | | Live parts (including end fittings) | End fittings (disconnect only) |
|--|---------------------|------------------|----------------------------------|-------------|-------------|---|---------------------------|-------------------------------------|--------------------------------|
| | | | Diameter | Clip center | Length | Mounting (including live parts, end fittings)** | Glass-polyester insulator | | |
| CLE | | | | | | | | | |
| | | | A | B | C | | | | |
| 15E-25E Single barrel | Non-disconnect | 95 | 2 (51) | 20 (508) | 21.5 (546) | 15CLE-PNM-C | 15CLE-GNM-C | CLE-NL-C | — |
| | | 110 | | | | 15CLE-HPNM-C | — | CLE-NL-C | — |
| | Disconnect† | 95 | | | | 15CLE-PDM-C | 15CLE-GDM-C | CLE-DL-C | CLE-DF-C |
| | | 110 | | | | 15CLE-HPDM-C | — | CLE-DL-C | CLE-DF-C |
| 10E-D-25E-D 30E-150E Single barrel | Non-disconnect | 95 | 3 (76) | 20 (508) | 23.9 (607) | 15CLE-PNM-D | 15CLE-GNM-D | CLE-NL-D | — |
| | | 110 | | | | 15CLE-HPM-D | — | CLE-NL-D | — |
| | Disconnect† | 95 | | | | 15CLE-PDM-D | 15CLE-GNM-D | CLE-DL-D | CLE-DF-D |
| | | 110 | | | | 15CLE-HPDM-D | — | CLE-DL-D | CLE-DF-D |
| 175E-300E Double barrel | Non-disconnect | 110 | 3 (76) | 20 (508) | 23.9 (607) | 15CLE-PNM-E | — | CLE-NL-E | — |
| | Disconnect† | 110 | | | | 15CLE-PDM-E | — | CLE-DL-E | CLE-DF-E |
| HLE | | | | | | | | | |
| 10E-125E Single barrel | Non-disconnect | 95 | 3 (76) | 15 (381) | 18.9 (480) | 15HLE-PNM-D | 15HLE-GNM-D | CLE-NL-D | — |
| | Disconnect† | 95 | | | | 15HLE-PDM-D | 15HLE-GDM-D | CLE-DL-D | CLE-DF-D |
| 150E-250E Double barrel | Non-disconnect | 95 | 3 (76) | 15 (381) | 18.9 (480) | 15HLE-PNM-E | — | CLE-NL-E | — |
| | Disconnect† | 95 | | | | 15HLE-PDM-E | — | CLE-DL-E | CLE-DF-E |
| LHLE | | | | | | | | | |
| 65E-150E Single barrel | Non-disconnect | — | 3 (76) | 18 (457) | 20.53 (521) | Not available | Not available | CLE-NL-D | — |
| | Disconnect† | — | | | | Not available | Not available | CLE-DL-D | CLE-DF-D |
| 175E-300E Double barrel | Non-disconnect | — | 3 (76) | 18 (457) | 20.53 (521) | Not available | Not available | CLE-NL-E | — |
| | Disconnect† | — | | | | Not available | Not available | CLE-DL-E | CLE-DF-E |

* See page 10 for illustrations and dimensions

** End fittings supplied only when required.

† Disconnect mountings provide a means for fuse extraction only. Do not use a disconnect mounting for load switching or fuse removal while energized.

CLE, HLE and LHLE type general purpose fuses

| Amp rating | Dimensions - in (mm) | | | Interrupting rating kA (RMS Sym.) | Number of barrels | Installation location | Catalog number |
|-------------------------------|----------------------|------------|----------------|-----------------------------------|-------------------|-----------------------|----------------|
| | Length A | Diameter B | Clip centers C | | | | |
| CLE Long construction | | | | | | | |
| 10 | 23.9 (607) | 3 (76) | 20 (508) | 63 | 1 | Indoor/outdoor | 15CLE-10E-D |
| 15 | 21.5 (546) | 2 (51) | 20 (508) | 31.5 | 1 | Indoor | 15CLE-15E* |
| 15 | 23.9 (607) | 3 (76) | 20 (508) | 63 | 1 | Indoor/outdoor | 15CLE-15E-D |
| 20 | 21.5 (546) | 2 (51) | 20 (508) | 31.5 | 1 | Indoor | 15CLE-20E* |
| 20 | 23.9 (607) | 3 (76) | 20 (508) | 63 | 1 | Indoor/outdoor | 15CLE-20E-D |
| 25 | 21.5 (546) | 2 (51) | 20 (508) | 31.5 | 1 | Indoor | 15CLE-25E* |
| 25 | 23.9 (607) | 3 (76) | 20 (508) | 63 | 1 | Indoor/outdoor | 15CLE-25E-D |
| 30 | 23.9 (607) | 3 (76) | 20 (508) | 63 | 1 | Indoor/outdoor | 15CLE-30E |
| 40 | 23.9 (607) | 3 (76) | 20 (508) | 63 | 1 | Indoor/outdoor | 15CLE-40E† |
| 50 | 23.9 (607) | 3 (76) | 20 (508) | 63 | 1 | Indoor/outdoor | 15CLE-50E† |
| 65 | 23.9 (607) | 3 (76) | 20 (508) | 63 | 1 | Indoor/outdoor | 15CLE-65E† |
| 80 | 23.9 (607) | 3 (76) | 20 (508) | 63 | 1 | Indoor/outdoor | 15CLE-80E† |
| 100 | 23.9 (607) | 3 (76) | 20 (508) | 63 | 1 | Indoor/outdoor | 15CLE-100E† |
| 125 | 23.9 (607) | 3 (76) | 20 (508) | 63 | 1 | Indoor/outdoor | 15CLE-125E† |
| 150 | 23.9 (607) | 3 (76) | 20 (508) | 63 | 1 | Indoor/outdoor | 15CLE-150E† |
| 175 | 23.9 (607) | 3 (76) | 20 (508) | 63 | 2 | Indoor/outdoor | 15CLE-175E† |
| 200 | 23.9 (607) | 3 (76) | 20 (508) | 63 | 2 | Indoor/outdoor | 15CLE-200E† |
| 250 | 23.9 (607) | 3 (76) | 20 (508) | 63 | 2 | Indoor/outdoor | 15CLE-250E† |
| 300 | 23.9 (607) | 3 (76) | 20 (508) | 63 | 2 | Indoor/outdoor | 15CLE-300E† |
| HLE Short construction | | | | | | | |
| 10 | 18.9 (480) | 3 (76) | 15 (381) | 63 | 1 | Indoor/outdoor | 15HLE-10E |
| 15 | 18.9 (480) | 3 (76) | 15 (381) | 63 | 1 | Indoor/outdoor | 15HLE-15E |
| 20 | 18.9 (480) | 3 (76) | 15 (381) | 63 | 1 | Indoor/outdoor | 15HLE-20E |
| 25 | 18.9 (480) | 3 (76) | 15 (381) | 63 | 1 | Indoor/outdoor | 15HLE-25E |
| 30 | 18.9 (480) | 3 (76) | 15 (381) | 63 | 1 | Indoor/outdoor | 15HLE-30E |
| 40 | 18.9 (480) | 3 (76) | 15 (381) | 63 | 1 | Indoor/outdoor | 15HLE-40E† |
| 50 | 18.9 (480) | 3 (76) | 15 (381) | 63 | 1 | Indoor/outdoor | 15HLE-50E† |
| 65 | 18.9 (480) | 3 (76) | 15 (381) | 63 | 1 | Indoor/outdoor | 15HLE-65E† |
| 80 | 18.9 (480) | 3 (76) | 15 (381) | 63 | 1 | Indoor/outdoor | 15HLE-80E† |
| 100 | 18.9 (480) | 3 (76) | 15 (381) | 63 | 1 | Indoor/outdoor | 15HLE-100E† |
| 125 | 18.9 (480) | 3 (76) | 15 (381) | 63 | 1 | Indoor/outdoor | 15HLE-125E† |
| 150 | 18.9 (480) | 3 (76) | 15 (381) | 63 | 2 | Indoor/outdoor | 15HLE-150E† |
| 175 | 18.9 (480) | 3 (76) | 15 (381) | 63 | 2 | Indoor/outdoor | 15HLE-175E† |
| 200 | 18.9 (480) | 3 (76) | 15 (381) | 63 | 2 | Indoor/outdoor | 15HLE-200E† |
| 250 | 18.9 (480) | 3 (76) | 15 (381) | 63 | 2 | Indoor/outdoor | 15HLE-250E† |
| LHLE | | | | | | | |
| 65 | 20.5 (521) | 3 (76) | 18 (457) | 50 | 1 | Indoor/outdoor | 15LHLE-65E |
| 80 | 20.5 (521) | 3 (76) | 18 (457) | 50 | 1 | Indoor/outdoor | 15LHLE-80E |
| 100 | 20.5 (521) | 3 (76) | 18 (457) | 50 | 1 | Indoor/outdoor | 15LHLE-100E |
| 125 | 20.5 (521) | 3 (76) | 18 (457) | 50 | 1 | Indoor/outdoor | 15LHLE-125E |
| 150 | 20.5 (521) | 3 (76) | 18 (457) | 50 | 1 | Indoor/outdoor | 15LHLE-150E |
| 175 | 20.5 (521) | 3 (76) | 18 (457) | 50 | 2 | Indoor/outdoor | 15LHLE-175E |
| 200 | 20.5 (521) | 3 (76) | 18 (457) | 50 | 2 | Indoor/outdoor | 15LHLE-200E |
| 250 | 20.5 (521) | 3 (76) | 18 (457) | 50 | 2 | Indoor/outdoor | 15LHLE-250E |
| 300 | 20.5 (521) | 3 (76) | 18 (457) | 50 | 2 | Indoor/outdoor | 15LHLE-300E |

* Fuses conform to dimensional standards established by Westinghouse.

† UL Listed, Guide JEEG, File E240398.

MV155F_ full range

| Amp rating | Dimensions - in (mm) | | | Interrupting rating kA (RMS Sym.) | Number of barrels | Installation location | Catalog number |
|------------|----------------------|------------|----------------|-----------------------------------|-------------------|-----------------------|----------------|
| | Length A | Diameter B | Clip centers C | | | | |
| 5 | 18.7 (475) | 2 (51) | 15 (381) | 50 | 1 | Indoor | MV155F1CBX5E |
| 7 | 18.7 (475) | 2 (51) | 15 (381) | 50 | 1 | Indoor | MV155F1CBX7E |
| 10 | 18.7 (475) | 2 (51) | 15 (381) | 50 | 1 | Indoor | MV155F1CBX10E |
| 10 | 18.7 (475) | 3 (76) | 15 (381) | 50 | 1 | Indoor | MV155F1DBX10E |
| 15 | 18.7 (475) | 2 (51) | 15 (381) | 50 | 1 | Indoor | MV155F1CBX15E |
| 15 | 18.7 (475) | 3 (76) | 15 (381) | 50 | 1 | Indoor | MV155F1DBX15E |
| 20 | 18.7 (475) | 2 (51) | 15 (381) | 50 | 1 | Indoor | MV155F1CBX20E |
| 20 | 18.7 (475) | 3 (76) | 15 (381) | 50 | 1 | Indoor | MV155F1DBX20E |
| 25 | 18.7 (475) | 2 (51) | 15 (381) | 50 | 1 | Indoor | MV155F1CBX25E |
| 25 | 18.7 (475) | 3 (76) | 15 (381) | 50 | 1 | Indoor | MV155F1DBX25E |
| 30 | 18.7 (475) | 2 (51) | 15 (381) | 50 | 1 | Indoor | MV155F1CBX30E |
| 30 | 18.7 (475) | 3 (76) | 15 (381) | 50 | 1 | Indoor | MV155F1DBX30E |
| 40 | 18.7 (475) | 3 (76) | 15 (381) | 50 | 1 | Indoor | MV155F1DBX40E |
| 50 | 18.7 (475) | 3 (76) | 15 (381) | 50 | 1 | Indoor | MV155F1DBX50E |
| 65 | 18.7 (475) | 3 (76) | 15 (381) | 50 | 1 | Indoor | MV155F1DBX65E |
| 65 | 21.7 (551) | 3 (76) | 18 (457) | 50 | 1 | Indoor | MV155F1DCX65E |
| 80 | 18.7 (475) | 3 (76) | 15 (381) | 50 | 1 | Indoor | MV155F1DBX80E |
| 80 | 21.7 (551) | 3 (76) | 18 (457) | 50 | 1 | Indoor | MV155F1DCX80E |
| 100 | 18.7 (475) | 3 (76) | 15 (381) | 50 | 1 | Indoor | MV155F1DBX100E |
| 100 | 21.7 (551) | 3 (76) | 18 (457) | 50 | 1 | Indoor | MV155F1DCX100E |
| 125 | 18.7 (475) | 3 (76) | 15 (381) | 50 | 2 | Indoor | MV155F2DBX125E |
| 125 | 21.7 (551) | 3 (76) | 18 (457) | 50 | 2 | Indoor | MV155F2DCX125E |
| 150 | 18.7 (475) | 3 (76) | 15 (381) | 50 | 2 | Indoor | MV155F2DBX150E |
| 150 | 21.7 (551) | 3 (76) | 18 (457) | 50 | 2 | Indoor | MV155F2DCX150E |
| 175 | 18.7 (475) | 3 (76) | 15 (381) | 50 | 2 | Indoor | MV155F2DBX175E |
| 175 | 21.7 (551) | 3 (76) | 18 (457) | 50 | 2 | Indoor | MV155F2DCX175E |
| 200 | 18.7 (475) | 3 (76) | 15 (381) | 50 | 2 | Indoor | MV155F2DBX200E |
| 200 | 21.7 (551) | 3 (76) | 18 (457) | 50 | 2 | Indoor | MV155F2DCX200E |

Recommended MV155 fuseclips:

| Description | Fuse diameter - in (mm) | Figure | Clip dimensions - in (mm) | | | | | | | Catalog number |
|------------------------------|-------------------------|--------|---------------------------|-----------|-----------|-----------|------------|-----------|----------|----------------|
| | | | A | B | C | D | E | F | G | |
| Enclosed fuseclip | 2 (51) | 1 | 3.75 (95) | 1.98 (50) | 2.01 (51) | 1.19 (30) | 4.54 (115) | 1.51 (38) | 0.4 (10) | A3354710* |
| Enclosed fuseclip | 3 (76) | 1 | 4.14 (105) | 2.45 (62) | 3.01 (76) | 1.19 (30) | 5.64 (143) | 1.51 (38) | 0.4 (10) | A3354730* |
| Open fuseclip | 3 (76) | 2 | See dimensions drawing | | | | | | | 1A0065 |
| Spring loaded open fuse-clip | 3 (76) | 3 | See dimensions drawing | | | | | | | 9078A67G04 |

*For single barrel applications only. Not sold in pairs.

Figure 1

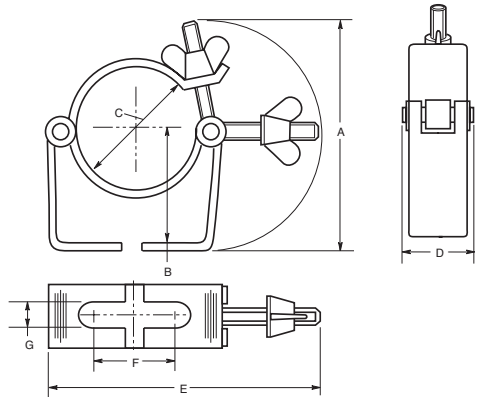


Figure 2

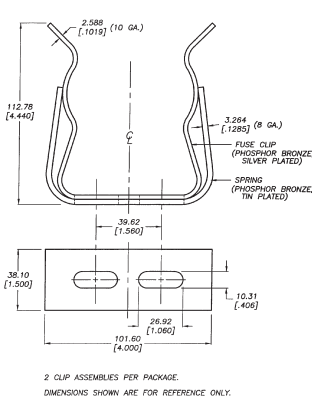
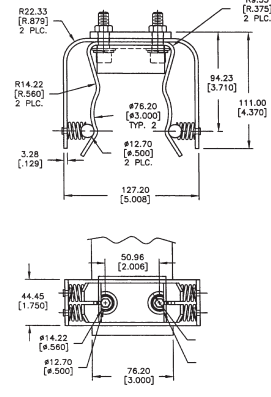
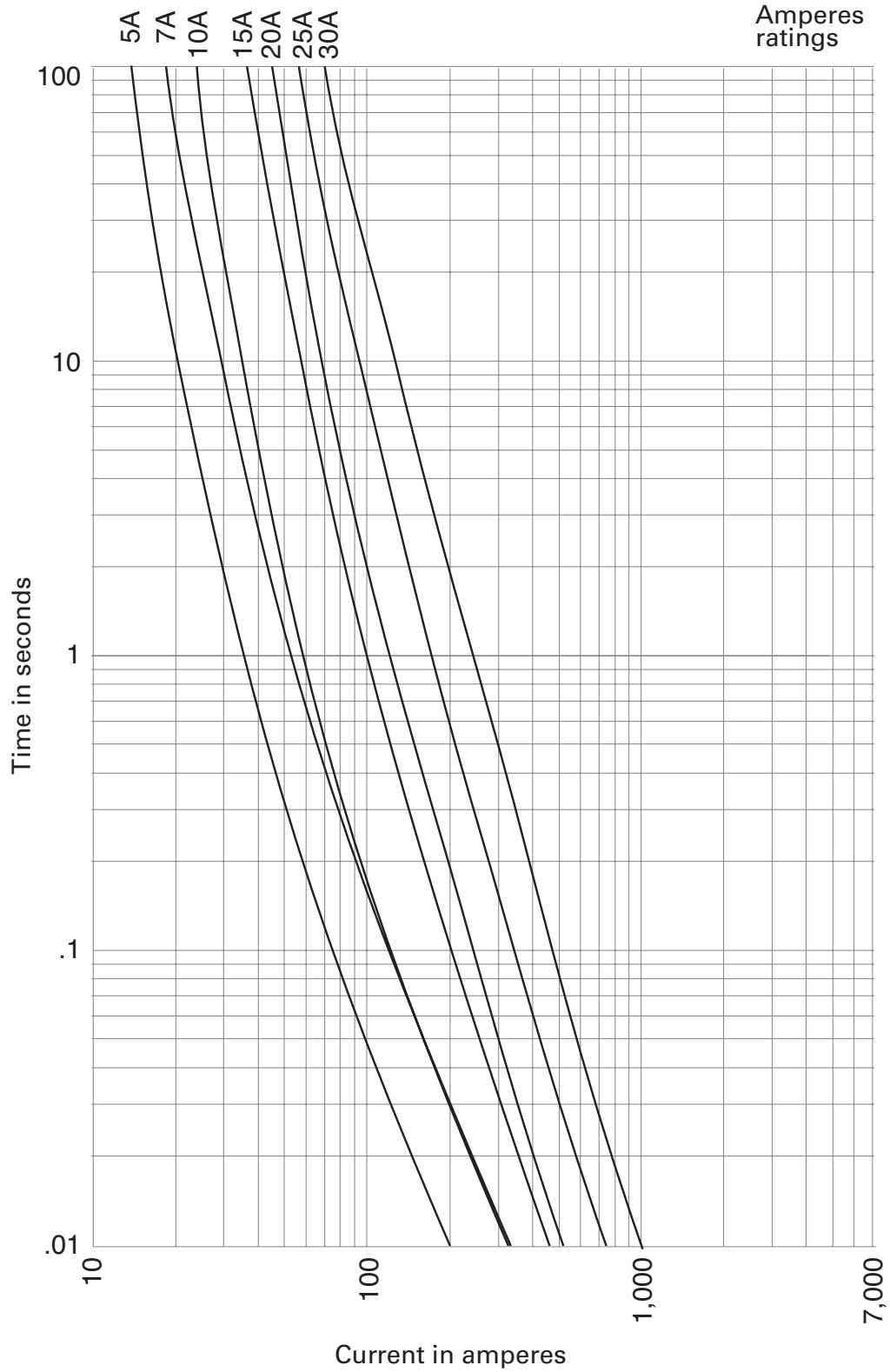


Figure 3



15.5kV Time-current curves – minimum melt for MV155 2 inch diameter fuses



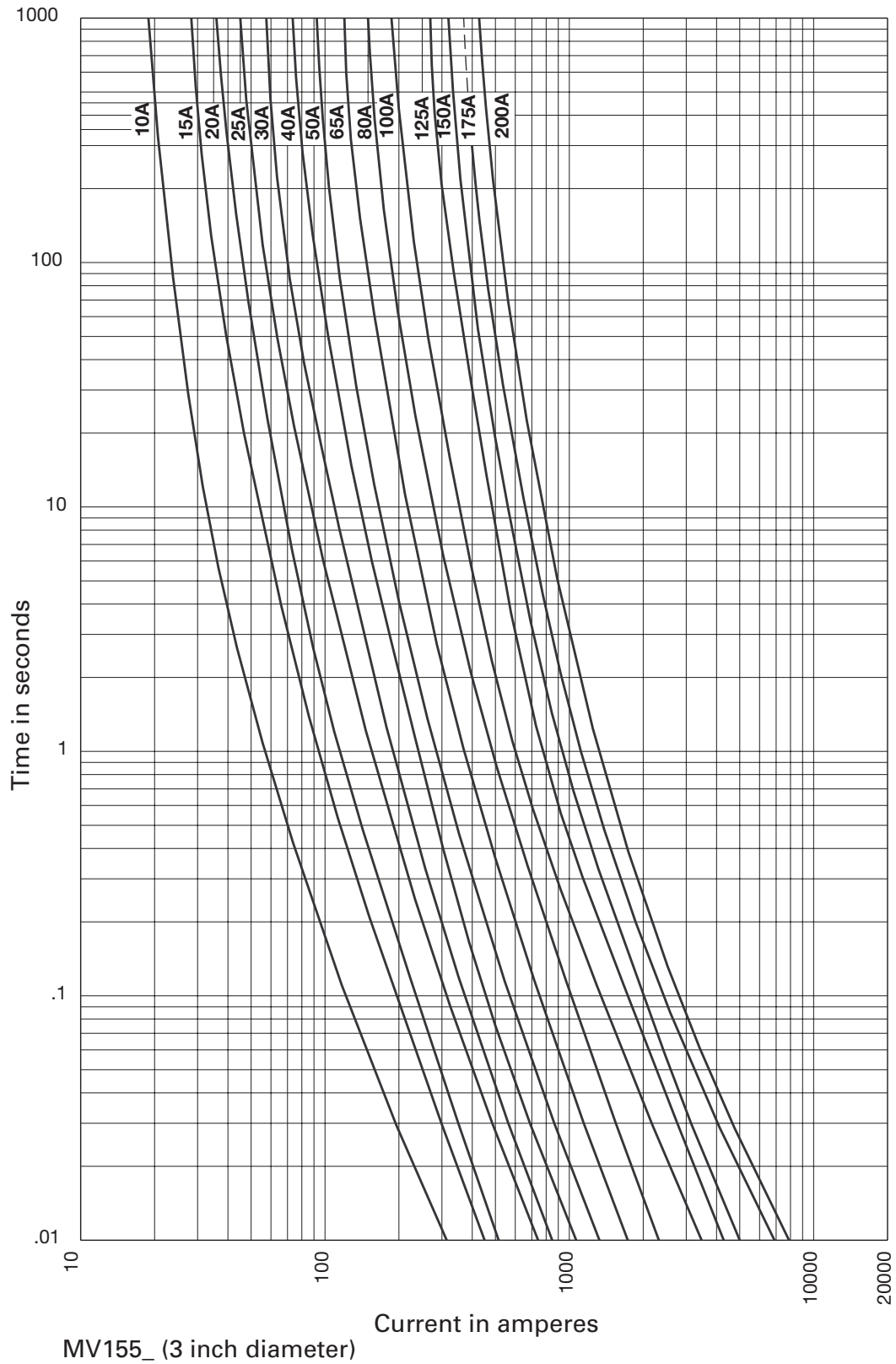
MV155_ (2 inch diameter)

15.5kV time-current curves — total clear for MV155_ 2 inch diameter fuses



MV155_ (2 inch diameter)

15.5kV time-current curves – minimum melt for MV155_ 3 inch diameter fuses



15.5kV time-current curves — total clear for MV155_ 3 inch diameter fuses



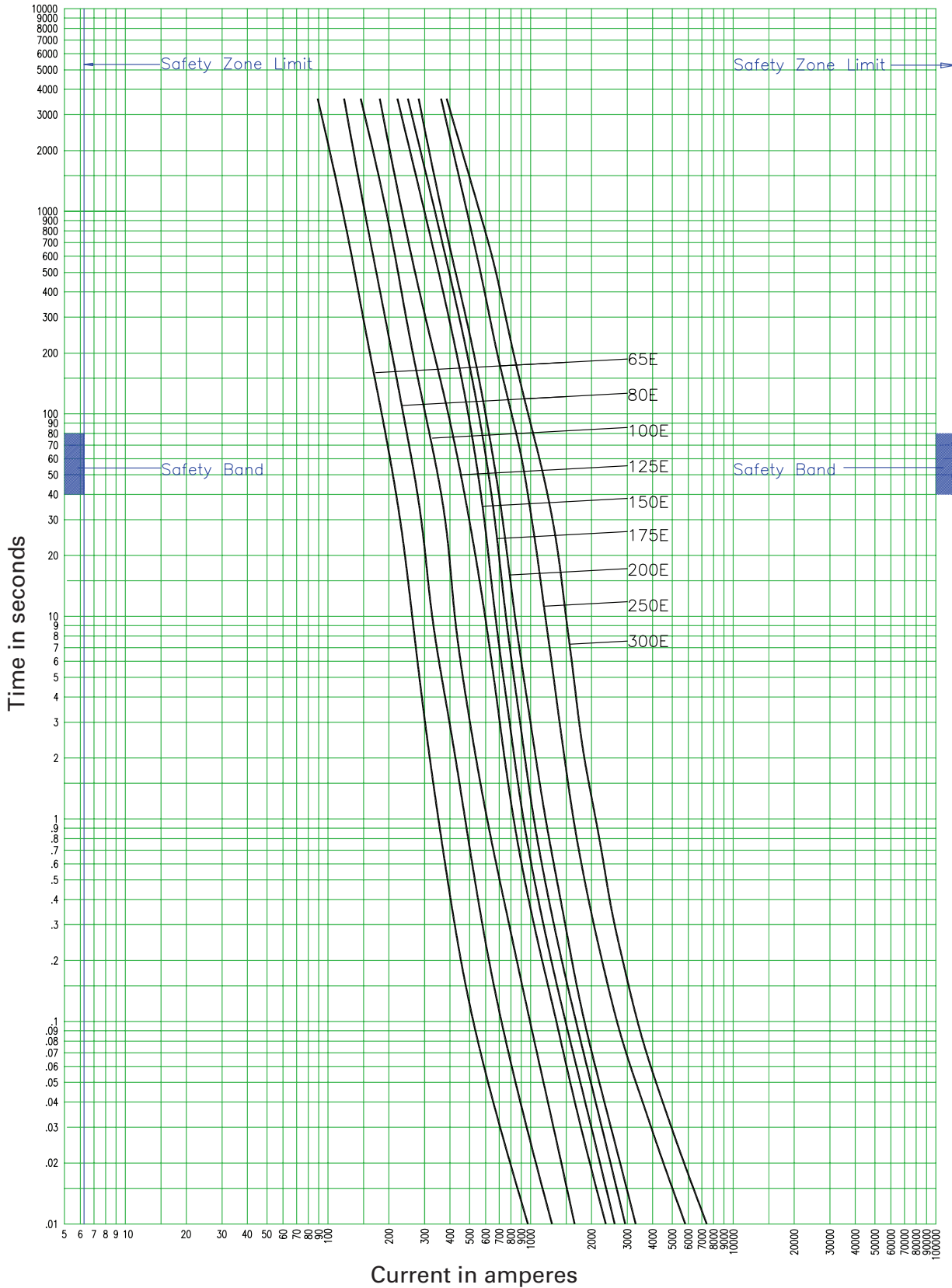
MV155_ (3 inch diameter)

15.5kV peak let-through for MV155_ 2 and 3 inch diameter fuses



MV155_ (2 and 3 inch diameter)

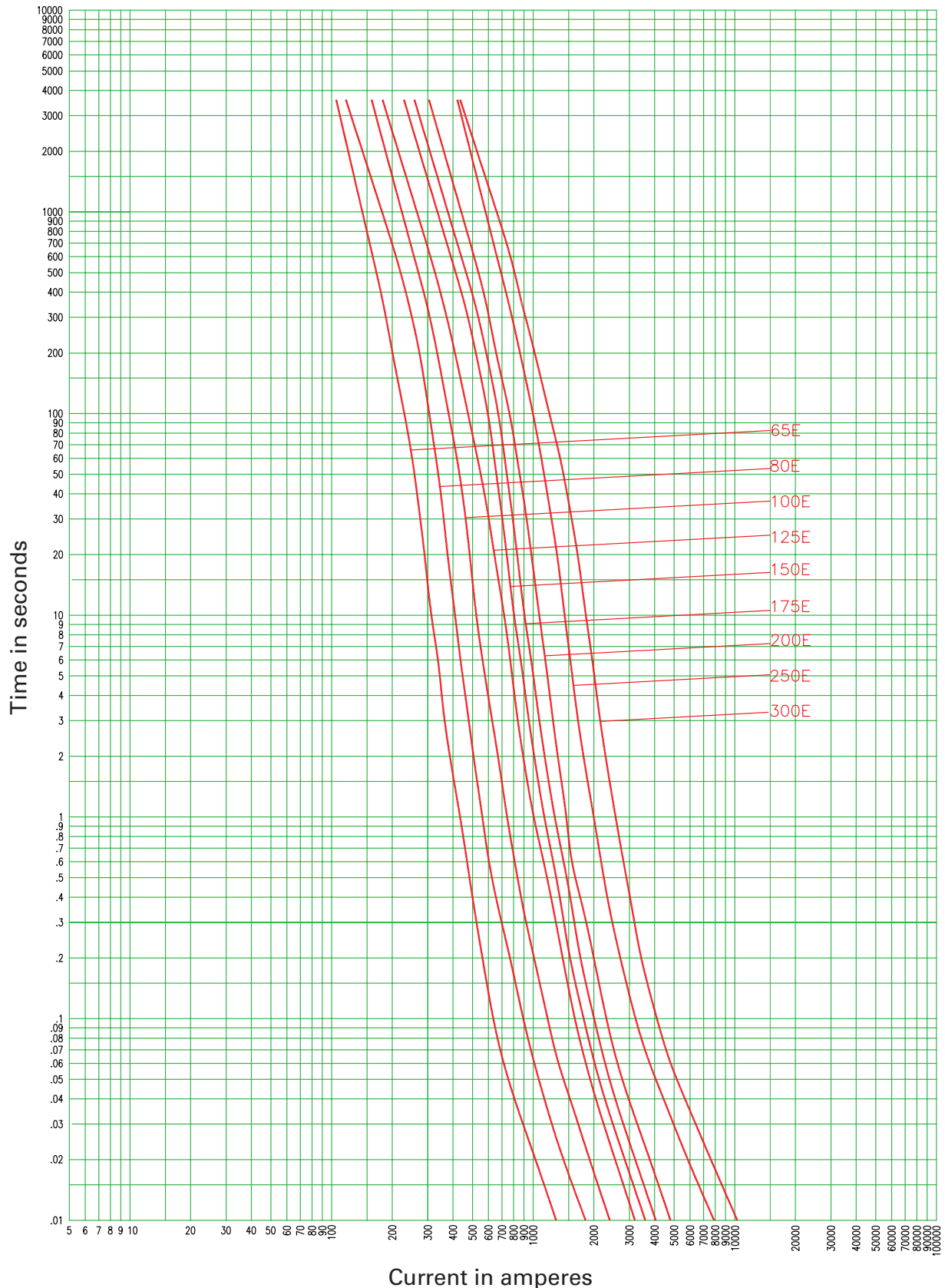
15.5kV time-current curves — minimum melt for 15LHLE_ 3 inch diameter fuses



15LHLE_ (3 inch diameter)

Curve TC66703203
April 2011

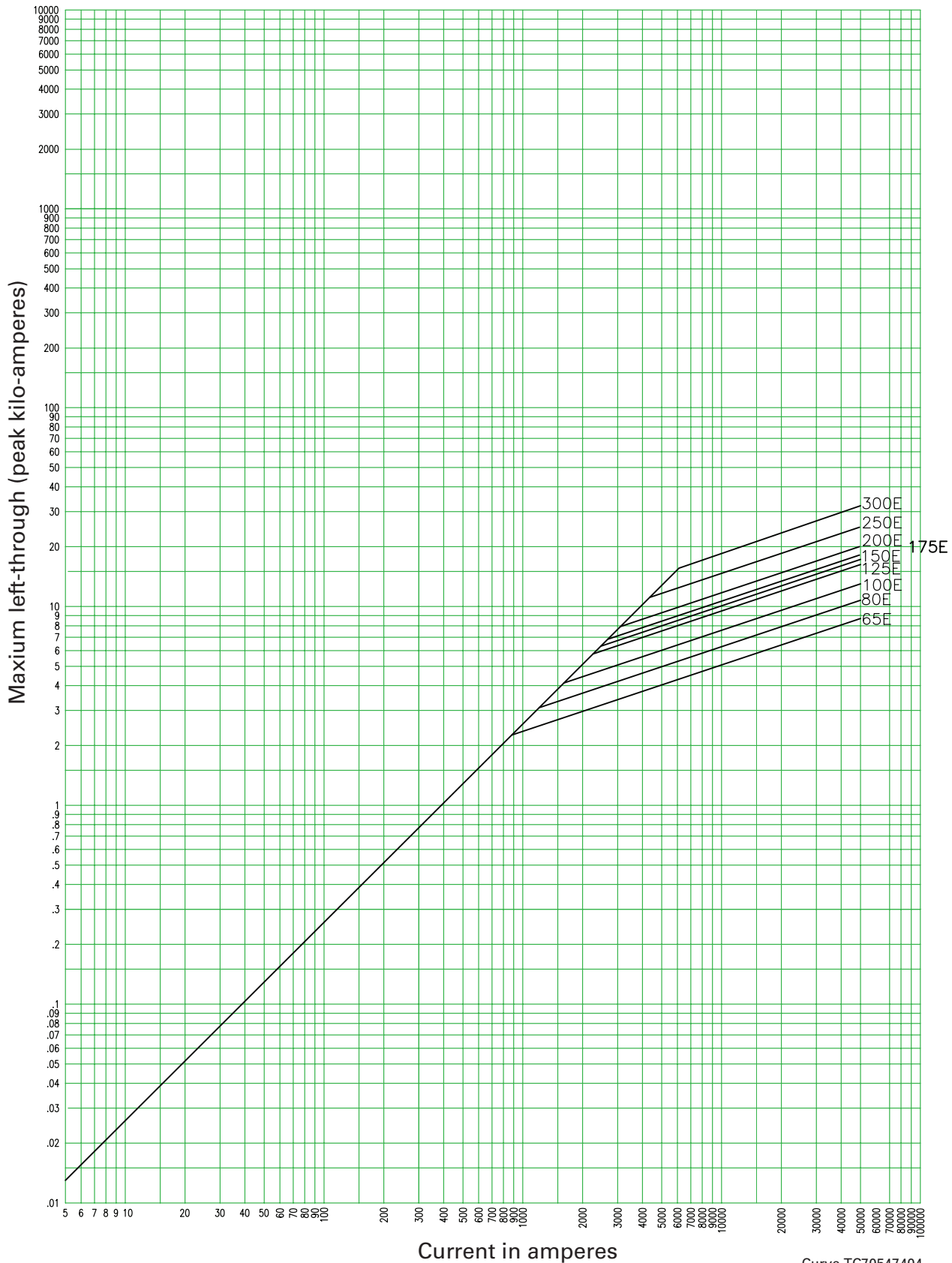
15.5kV time-current curves — total clear for 15LHLE_ 3 inch diameter fuses



15LHLE_ (3 inch diameter)

Curve TC66703303
April 2011

15.5kV peak let-through for 15LHLE_ 3 inch diameter fuses



15LHLE_ (3 inch diameter)

Curve TC70547404
April 2011

CLE and HLE type mountings - in (mm)

| Catalog number | Hole centers | | Overall length C | Hole Inset D | Hole centers E | Contact height F | Overall height G | BIL kV |
|-------------------------------------|---------------|-----------|---------------------|-----------------|-------------------|---------------------|---------------------|-----------|
| | A | B | | | | | | |
| Disconnect single barrel† | | | | | | | | |
| 15CLE-GDM-C | 21.24 (539.5) | 6 (152.4) | 34 (863.6) | 0.75 (19.0) | 1.75 (44.4) | 7 (177.8) | 12.25 (311.1) | 95 |
| 15CLE-GDM-D | 21.15 (537.2) | 6 (152.4) | 31 (787.4) | 0.62 (15.7) | 1.75 (44.4) | 7 (177.8) | 14.22 (361.2) | 95 |
| 15CLE-PDM-C | 21.24 (539.5) | 6 (152.4) | 34 (863.6) | 0.75 (19.0) | 1.75 (44.4) | 7 (177.8) | 12.25 (311.1) | 95 |
| 15CLE-PDM-D | 21.15 (537.2) | 6 (152.4) | 31 (787.4) | 0.62 (15.7) | 1.75 (44.4) | 7 (177.8) | 14.22 (361.2) | 95 |
| 15CLE-HPDM-C | 21.24 (539.5) | 6 (152.4) | 34 (863.6) | 0.75 (19.0) | 1.75 (44.4) | 8.5 (215.9) | 13.75 (349.2) | 110 |
| 15CLE-HPDM-D | 21.15 (537.2) | 6 (152.4) | 31 (787.4) | 0.62 (15.7) | 1.75 (44.4) | 8.5 (215.9) | 15.72 (399.3) | 110 |
| 15HLE-GDM-D | 16.25 (412.8) | 6 (152.4) | 25 (647.7) | 0.62 (15.7) | 1.75 (44.4) | 7 (177.8) | 14.22 (361.2) | 95 |
| 15HLE-PDM-D | 16.25 (412.8) | 6 (152.4) | 25 (647.7) | 0.62 (15.7) | 1.75 (44.4) | 7 (177.8) | 14.22 (361.2) | 95 |
| Disconnect double barrel† | | | | | | | | |
| 15CLE-PDM-E | 21.15 (537.2) | 6 (152.4) | 31 (787.4) | 0.62 (15.7) | 1.75 (44.4) | 8.5 (215.9) | 19.28 (489.7) | 95 |
| 15HLE-GDM-E | 16.25 (412.8) | 6 (152.4) | 25 (635) | 0.62 (15.7) | 1.75 (44.4) | 7 (177.8) | 17.78 (451.6) | 95 |
| 15HLE-PDM-E | 16.25 (412.8) | 6 (152.4) | 25 (635) | 0.62 (15.7) | 1.75 (44.4) | 7 (177.8) | 17.78 (451.6) | 95 |
| Non-disconnect single barrel | | | | | | | | |
| 15CLE-GNM-C | 21.25 (539.7) | 6 (152.4) | 30.5 (774.7) | 0.75 (19.0) | 1.75 (44.4) | 7 (177.8) | 9.75 (247.6) | 95 |
| 15CLE-PNM-C | 21.25 (539.7) | 6 (152.4) | 30.5 (774.7) | 0.75 (19.0) | 1.75 (44.4) | 7 (177.8) | 9.75 (247.6) | 95 |
| 15CLE-HPNM-C | 21.25 (539.7) | 6 (152.4) | 30.5 (774.7) | 0.75 (19.0) | 1.75 (44.4) | 8.5 (215.9) | 11.25 (285.7) | 110 |
| 15CLE-GNM-D | 21.15 (539.7) | 6 (152.4) | 31 (787.4) | 0.62 (15.7) | 1.75 (44.4) | 7 (177.8) | 11.29 (286.7) | 95 |
| 15CLE-PNM-D | 21.15 (539.7) | 6 (152.4) | 31 (787.4) | 0.62 (15.7) | 1.75 (44.4) | 7 (177.8) | 11.29 (286.7) | 95 |
| 15CLE-HPNM-D | 21.15 (539.7) | 6 (152.4) | 31 (787.4) | 0.62 (15.7) | 1.75 (44.4) | 8.5 (215.9) | 12.79 (286.7) | 110 |
| 15HLE-GNM-D | 16.25 (412.7) | 6 (152.4) | 25 (635) | 0.62 (15.7) | 1.75 (44.4) | 7 (177.8) | 11.29 (286.7) | 95 |
| 15HLE-PNM-D | 16.25 (412.7) | 6 (152.4) | 25 (635) | 0.62 (15.7) | 1.75 (44.4) | 7 (177.8) | 11.29 (286.7) | 95 |
| Non-disconnect double barrel | | | | | | | | |
| 15CLE-PNM-E | 21.15 (539.7) | 6 (152.4) | 31 (787.4) | 0.62 (15.7) | 1.75 (44.4) | 8.5 (215.9) | 14.98 (380.5) | 95 |
| 15HLE-GNM-E | 16.25 (412.7) | 6 (152.4) | 25 (635) | 0.62 (15.7) | 1.75 (44.4) | 7 (177.8) | 14.98 (380.5) | 95 |
| 15HLE-PNM-E | 16.25 (412.7) | 6 (152.4) | 25 (635) | 0.62 (15.7) | 1.75 (44.4) | 7 (177.8) | 14.98 (380.5) | 95 |

CLE and HLE type disconnect mounting†



CLE and HLE type non-disconnect mounting



† Disconnect mountings provide a means for fuse extraction only. Do not use a disconnect mounting for load switching or fuse removal while energized.

E-Rated medium voltage specialty mount fuses

Catalog symbols:

- 15BHLE_E (bolt-on version)
- 15HCL_E (clip-lock version)

Ratings*:

- Volts
 - 15.5kV
- Amps
 - 10 to 300A
- Interrupting ratings
 - 50 to 63kA RMS Sym

* See catalog number tables for voltages, ampacities and interrupting ratings by catalog number.

Agency information:

- E-Rated fuses meet the performance characteristics of ANSI C37.46

Recommended live parts for clip-lock fuses

- Catalog number HCL-NL-1

HCL



Dimensions - in (mm)

BHLE



BHCL, BHLE and HCL Type fuses

| Amp rating | Dimensions - in (mm) | | | Interrupting rating kA (RMS Sym.) | Number of barrels | Installation location | Catalog number |
|------------------------------|----------------------|------------|----------------|-----------------------------------|-------------------|-----------------------|----------------|
| | Length A | Diameter B | Hole centers C | | | | |
| BHCL and BHLE bolt-on | | | | | | | |
| 10 | 22.2 (563) | 3 (76) | 20.9 (531) | 63 | 1 | Indoor/outdoor | 15BHLE-10E |
| 15 | 22.2 (563) | 3 (76) | 20.9 (531) | 63 | 1 | Indoor/outdoor | 15BHLE-15E |
| 20 | 22.2 (563) | 3 (76) | 20.9 (531) | 63 | 1 | Indoor/outdoor | 15BHLE-20E |
| 25 | 22.2 (563) | 3 (76) | 20.9 (531) | 63 | 1 | Indoor/outdoor | 15BHLE-25E |
| 30 | 22.2 (563) | 3 (76) | 20.9 (531) | 63 | 1 | Indoor/outdoor | 15BHLE-30E |
| 40 | 22.2 (563) | 3 (76) | 20.9 (531) | 63 | 1 | Indoor/outdoor | 15BHLE-40E† |
| 50 | 22.2 (563) | 3 (76) | 20.9 (531) | 63 | 1 | Indoor/outdoor | 15BHLE-50E† |
| 65 | 22.2 (563) | 3 (76) | 20.9 (531) | 63 | 1 | Indoor/outdoor | 15BHLE-65E† |
| 80 | 22.2 (563) | 3 (76) | 20.9 (531) | 63 | 1 | Indoor/outdoor | 15BHLE-80E† |
| 100 | 22.2 (563) | 3 (76) | 20.9 (531) | 63 | 1 | Indoor/outdoor | 15BHLE-100E† |
| 125 | 22.2 (563) | 3 (76) | 20.9 (531) | 63 | 1 | Indoor/outdoor | 15BHLE-125E† |
| 150 | 22.2 (563) | 3 (76) | 20.9 (531) | 63 | 2 | Indoor/outdoor | 15BHLE-150E† |
| 175 | 22.2 (563) | 3 (76) | 20.9 (531) | 63 | 2 | Indoor/outdoor | 15BHLE-175E† |
| 200 | 22.2 (563) | 3 (76) | 20.9 (531) | 63 | 2 | Indoor/outdoor | 15BHLE-200E† |
| 250 | 22.2 (563) | 3 (76) | 20.9 (531) | 63 | 2 | Indoor/outdoor | 15BHLE-250E† |
| 300 | 25.1 (637) | 3 (76) | 23.7 (602) | 50 | 2 | Indoor | 15BHCL-300E |
| 400 | 25.1 (637) | 3 (76) | 23.7 (602) | 50 | 3 | Indoor | 15BHCL-400E |
| HCL clip-lock | | | | | | | |
| 10 | 22.8 (579) | 3 (76) | N/A | 63 | 1 | Indoor | 15HCL-10E |
| 15 | 22.8 (579) | 3 (76) | N/A | 63 | 1 | Indoor | 15HCL-15E |
| 20 | 22.8 (579) | 3 (76) | N/A | 63 | 1 | Indoor | 15HCL-20E |
| 25 | 22.8 (579) | 3 (76) | N/A | 63 | 1 | Indoor | 15HCL-25E |
| 30 | 22.8 (579) | 3 (76) | N/A | 63 | 1 | Indoor | 15HCL-30E |
| 40 | 22.8 (579) | 3 (76) | N/A | 63 | 1 | Indoor | 15HCL-40E† |
| 50 | 22.8 (579) | 3 (76) | N/A | 63 | 1 | Indoor | 15HCL-50E† |
| 65 | 22.8 (579) | 3 (76) | N/A | 50 | 1 | Indoor | 15HCL-65E† |
| 80 | 22.8 (579) | 3 (76) | N/A | 50 | 1 | Indoor | 15HCL-80E† |
| 100 | 22.8 (579) | 3 (76) | N/A | 50 | 1 | Indoor | 15HCL-100E† |
| 125 | 22.8 (579) | 3 (76) | N/A | 50 | 1 | Indoor | 15HCL-125E† |
| 150 | 22.8 (579) | 3 (76) | N/A | 50 | 2 | Indoor | 15HCL-150E† |
| 200 | 22.8 (579) | 3 (76) | N/A | 50 | 2 | Indoor | 15HCL-200E† |
| 250 | 22.8 (579) | 3 (76) | N/A | 50 | 2 | Indoor | 15HCL-250E† |
| 300 | 22.8 (579) | 3 (76) | N/A | 50 | 2 | Indoor | 15HCL-300E† |

† UL Listed, Guide JEEG, File E240398.

15.5kV time-current curves — minimum melt for 15CLE-_E and 15CLE_-_D



15CLE-_

| | | |
|--------------------|--------------------|--------------------|
| Curve 70548501 | Curve 70546801 | Curve 70547001 |
| April 16, 1999 | April 1999 | April 1999 |
| Reference # 563532 | Reference # 705468 | Reference # 705470 |

15.5kV time-current curves — total clear for 15CLE-_E and 15CLE_-_D



| | | | |
|---------|--|--|--|
| 15CLE-_ | Curve 70548601 April 16, 1999 Reference # 563533 | Curve 70546901 April 1999 Reference # 705469 | Curve 70547101 April 1999 Reference # 705471 |
|---------|--|--|--|

15.5kV peak let-through for 15CLE-E and 15CLE-D



15CLE-

Curve 70548802
 September 1999
 Reference # 705488

Curve 70547501
 September 1999
 Reference # 705475

15.5kV time-current curves – minimum melt for 15HLE-_E and 15BHLE-_E



15HLE-_E, 15BHLE-_E

Curve 70548507
April 16, 1999
Reference # 563532

Curve 70546601
April 1999
Reference # 705466

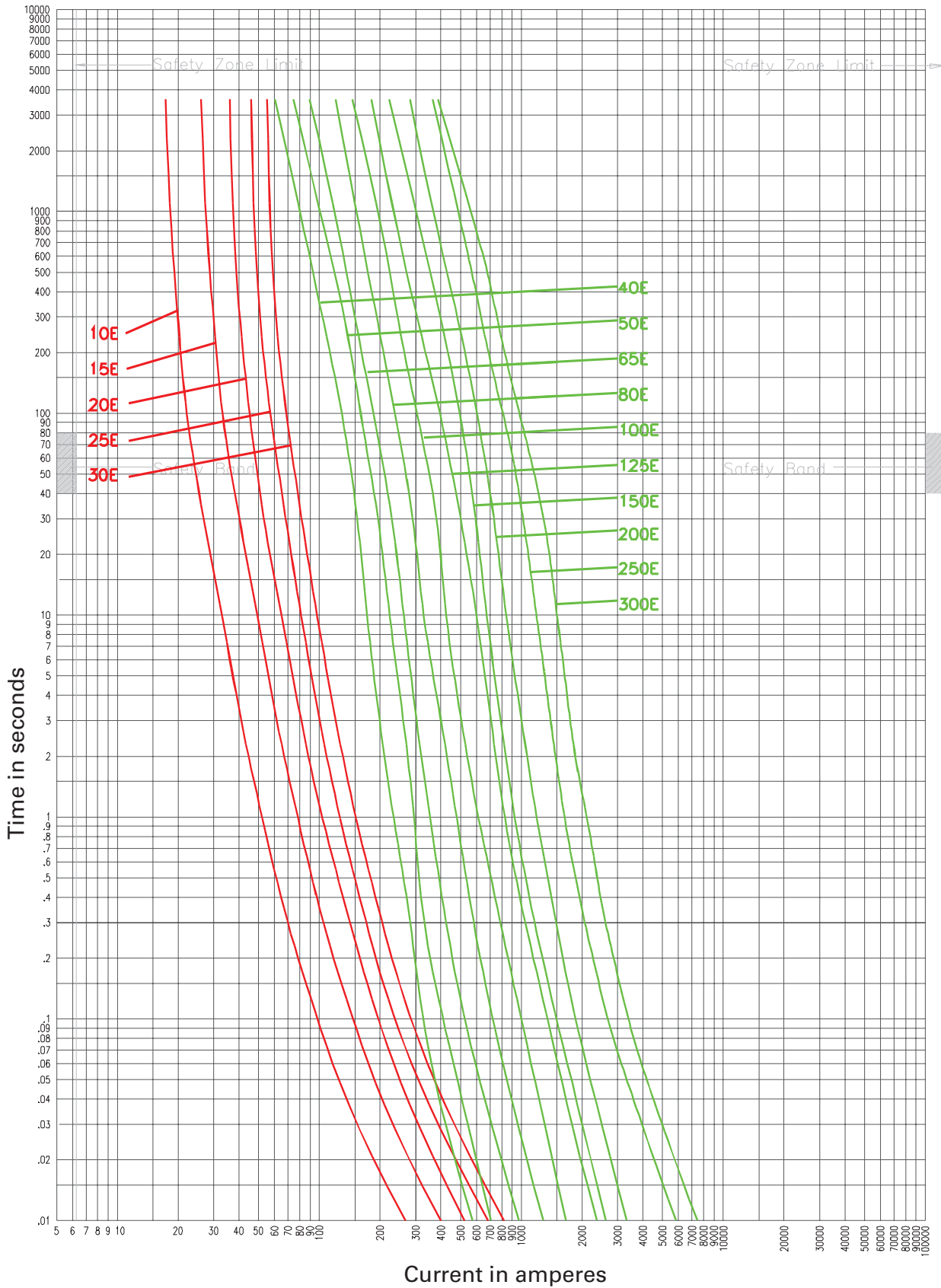
15.5kV peak let-through for 15HLE-_E and 15BHLE-_E



15HLE-_, 15BHLE-_

Curve 70548805 Curve 70547401
September 1999 September 1999
Reference # 705488 Reference # 705474

15.5kV time-current curves – minimum melt for 15HCL_E



15HCL_

Curve 70548503 January 2001 Curve 66703201 January 2001

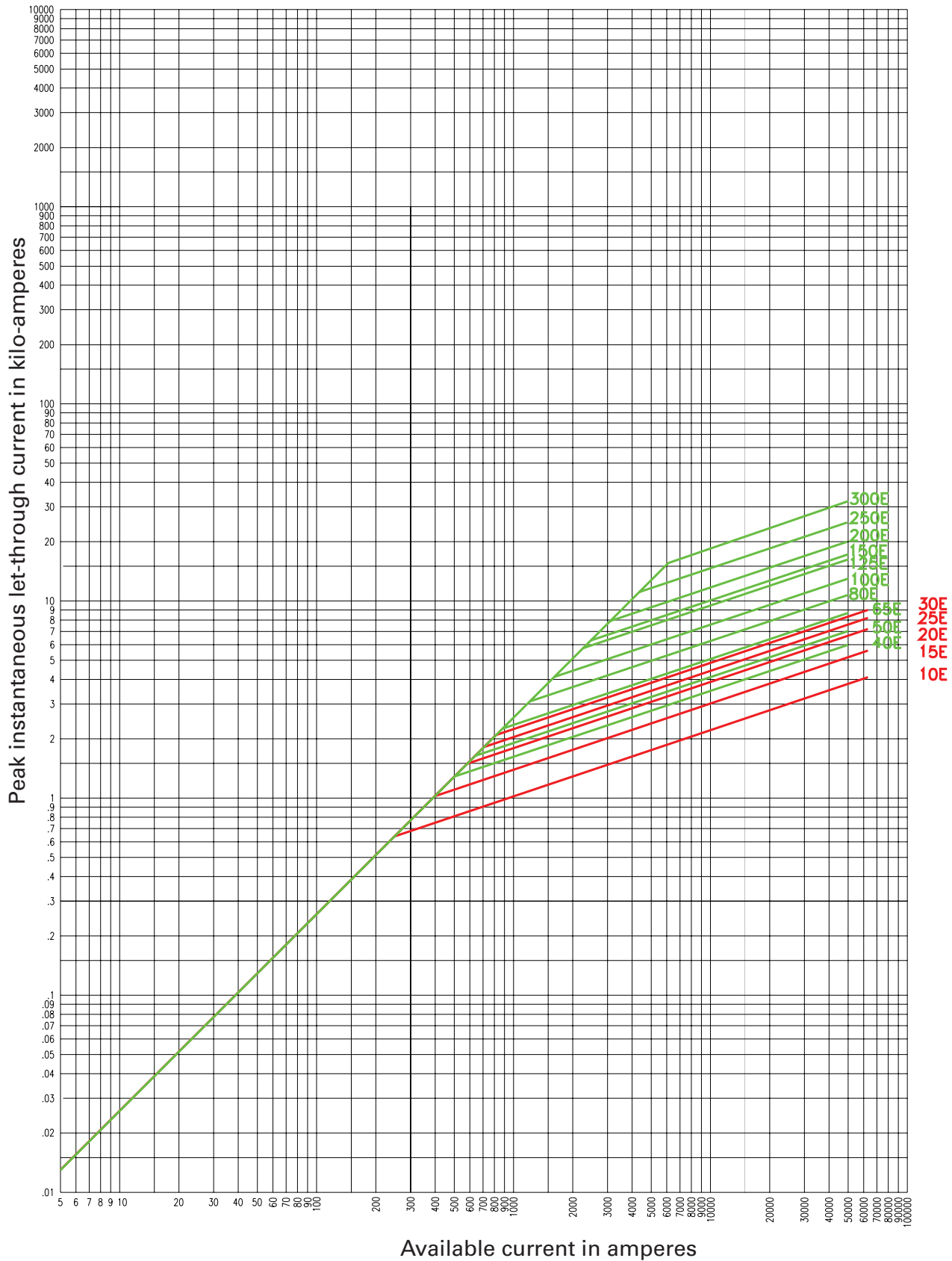
15.5kV time-current curves — total clear for 15HCL-_E



15HCL-_

Curve 70548603 Curve 66703301
January 2001 January 2001

15.5kV peak let-through for 15HCL_E



15HCL_

Curve 70548803 January 2001
 Curve 70547402 January 2001

The only controlled copy of this data sheet is the electronic read-only version located on the Eaton network drive. All other copies of this document are by definition uncontrolled. This bulletin is intended to clearly present comprehensive product data and provide technical information that will help the end user with design applications. Eaton reserves the right, without notice, to change design or construction of any products and to discontinue or limit distribution of any products. Eaton also reserves the right to change or update, without notice, any technical information contained in this bulletin. Once a product has been selected, it should be tested by the user in all possible applications.

Eaton
1000 Eaton Boulevard
Cleveland, OH 44122
United States
Eaton.com

Bussmann Division
114 Old State Road
Ellisville, MO 63021
United States
Eaton.com/bussmannseries

© 2015 Eaton
All Rights Reserved
Printed in USA
Publication No. 10353 – BU-SB15153
December 2015

Eaton, Bussmann, AMPGARD are valuable trademarks of Eaton in the US and other countries. You are not permitted to use the Eaton trademarks without prior written consent of Eaton.

UL is a registered trademark of the Underwriters Laboratories, Inc.

For Eaton's Bussmann series
product information,
call **1-855-287-7626** or visit:
Eaton.com/bussmannseries

Follow us on social media to get the latest product and support information.

