

PART NAME: HANDLE

SCALE: 1:1

DATE: 6/13/74

DR. BY NH


 DESIGNERS & MANUFACTURERS
 OF KNOBS, HANDLES, CASES &
 CUSTOM PLASTIC COMPONENTS

P/N 3090-M

 THIS DRAWING IS THE PROPERTY OF DAVIES MOLDING COMPANY. IS SUBMITTED SOLELY AS A DESIGN OR ENGINEERING PROJECT.
 WE ACCEPT NO RESPONSIBILITY WHATSOEVER FOR THE PRACTICAL APPLICATION OF THE PIECES MADE TO THIS DESIGN.

DO NOT SCALE DRAWING

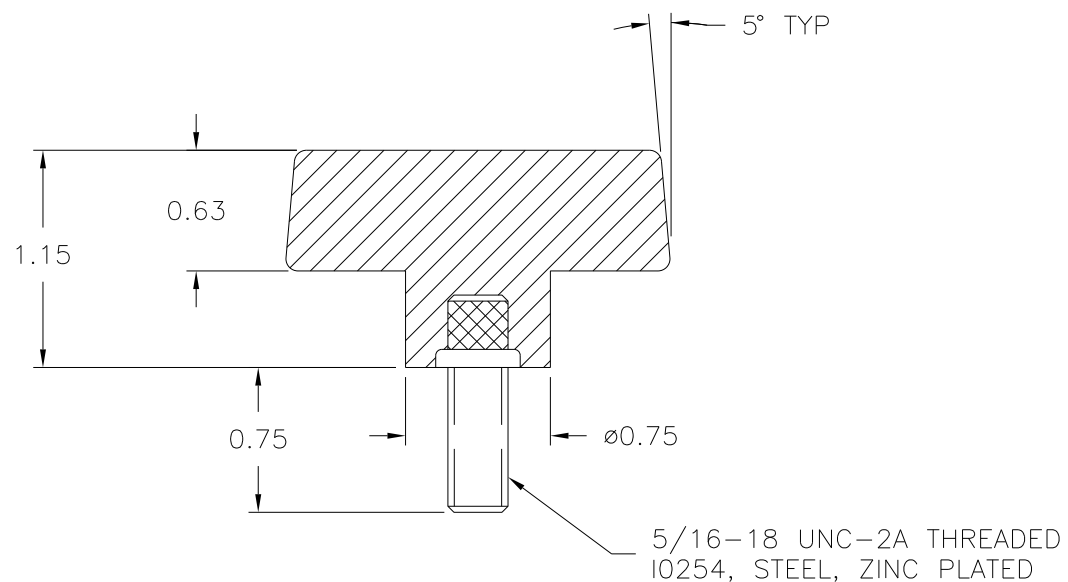
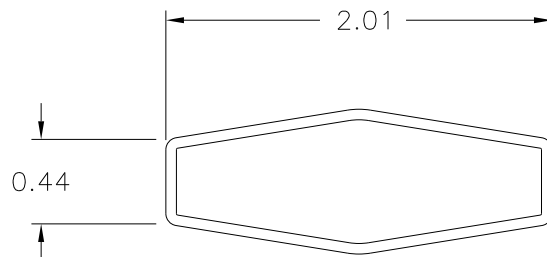
M^{NO.} 5904

CAVITY 3090

PLUNGER 3090

PINS 3090-2

INSERT 10254

RAIL AND
PILLAR SPACERS .375
 MATERIAL: G.P. PHENOLIC (B11)
 COLOR: BLACK

TOLERANCES: UNLESS OTHERWISE SPECIFIED	DO NOT SCALE DRAWING				
DECIMALS: X.XXX ± .005 X.XX ± .015	MM: X.XX ± 0.15MM X.X ± 0.4MM	-	REDRAWN	TL	11/10/99
FRACTIONS ± 1/64	ANG. ± 1°	-	CAD REDRAW	HD	11/30/95
CHANGES					