

## MICON 5 - Short-travel switch, SMT Standard

### 1.14.002.101/0000

Packing: tape with 2100 pieces  
Keycaps see RK 90



Mounting hints:

Special pipette (Siemens Siplace order no.: 348514-02), mounting with collect and place head

Recommendation for screen printing: 150 µm stencil with 10% reduction of the pad size.

#### Dimensions

Length of housing	6.4 mm
Width of housing	5.1 mm
Overall height	3.85 mm

#### Mechanical design

Mounting	soldering
Terminals	SMT
Contact system	snap-action contact
Contact arrangement	1 NO
Contact materials	Au
Illumination	no

#### Mechanical characteristics

Operating force F1 (±20%)	2.9 N
Switching travel S2 (±0.15 mm)	0.7 mm

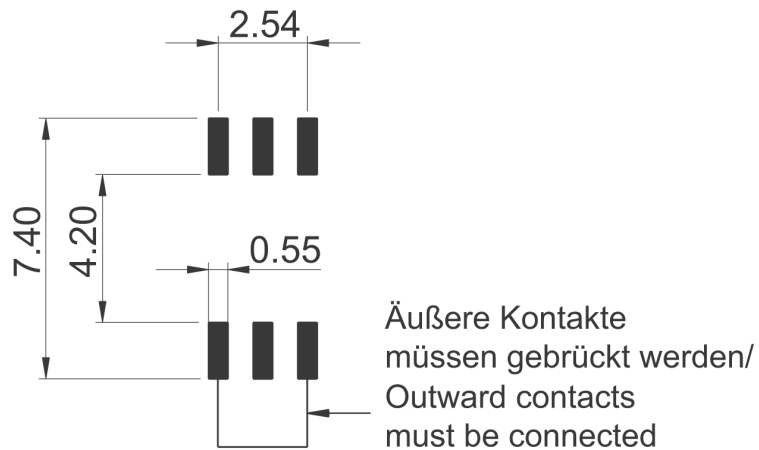
#### Electrical characteristics

Rated voltage min.	0.02 V
Rated voltage max.	35 V
Rated current min.	0.01 mA
Rated current max.	100 mA
Rated power max. (ohmic load)	1 W
Contact resistance when new	≤ 100 mΩ
Rated voltage resistance AC	250 V
Insulation resistance	10 <sup>9</sup> Ω

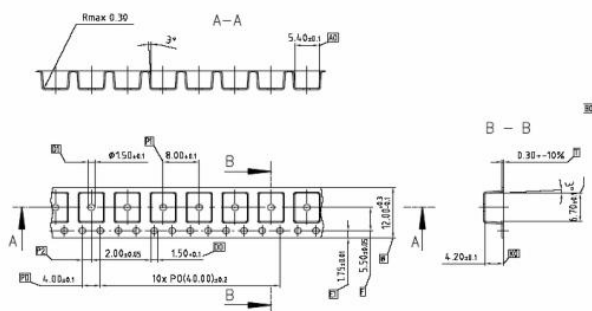
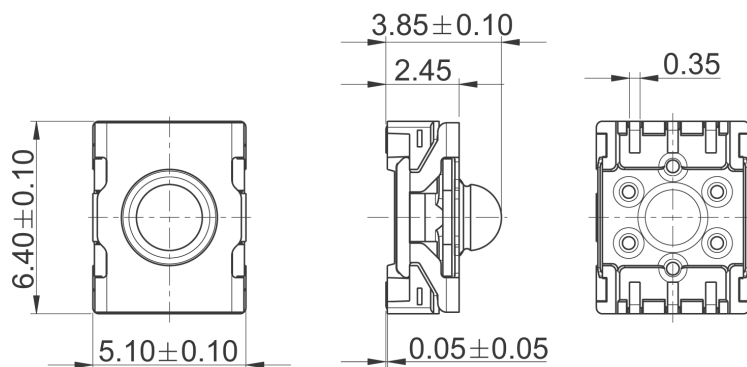
#### Other specifications

Ambient temp. operating min.	-40 °C
Ambient temp. operating max.	+90 °C
Resistance to environment	IEC 60068-2 -14,-30,-33, -78
Operating life (test force)	1,000,000 (4 N)
Solder heat resistance / Solderability	DIN EN 60068-2-58
Flammability of materials	UL 94 V1
Packing	tape and reel à 2100 pieces

Produkt type	X
ROHS compliant	yes
REACH compliant	yes



SMT Standard





Schaltzeichen  
nach IEC  
617

