

# MICRO SWITCH

a Honeywell Division

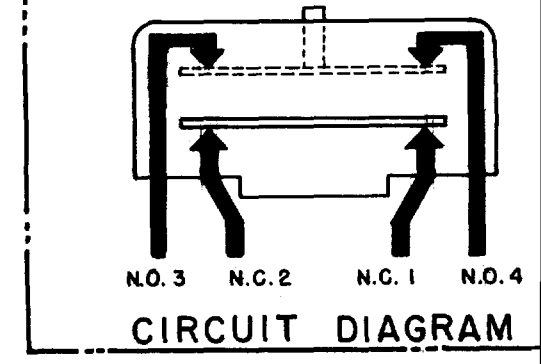
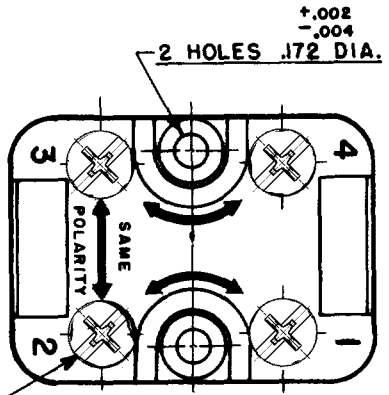
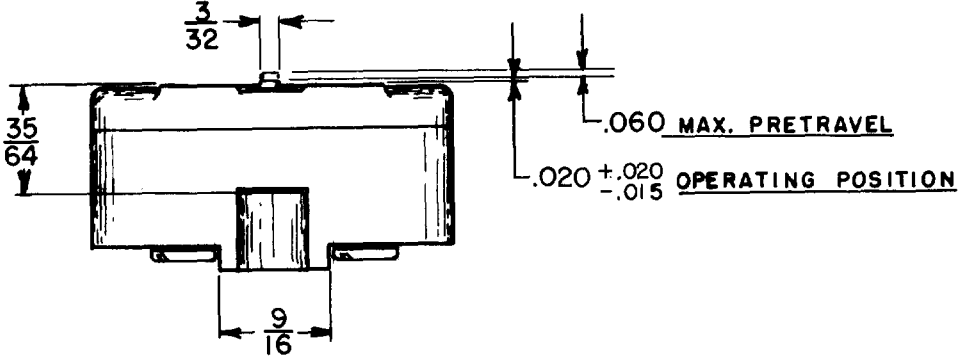
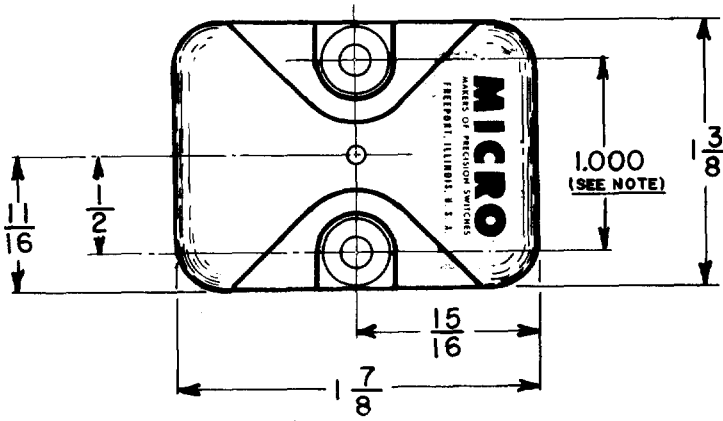
FED. MF6. CODE 91929

## SWITCH - BASIC

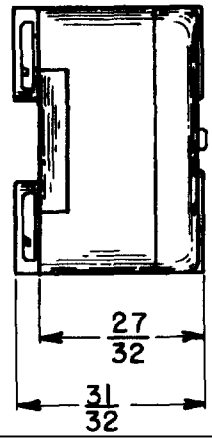
CATALOG LISTING

IMNI

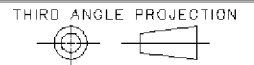
CATALOG LISTING  
 IMNI  
 PAGE 1 OF 1  
 RELEASE NO. PR-3259  
 REPLACES  
 ISSUE  
**M**  
 6  
 CHECK  
 REVISIONS  
 A CO-73287M  
 GJW  
 18 MAY 95  
 CHECK  
 JJA 25 MAY 95  
 CHECK  
 GJW 18 MAY 95  
 DRAWN  
 FORMTEK



**NOTE**  
 1 - MOUNTING HOLES WILL ACCEPT NO. 8 SCREWS ON 1.000 ± .002 CENTERS



THIS DRAWING COVERS A PROPRIETARY ITEM AND IS THE PROPERTY OF MICRO SWITCH, A DIVISION OF HONEYWELL. THIS DRAWING IS NOT TO BE COPIED OR USED WITHOUT THE APPROVAL OF MICRO SWITCH.



CHARACTERISTICS	ELECTRICAL DATA	SCALE FULL	DO NOT SCALE PRINT
OPERATING FORCE-----12-20 OZ.	CONTACT ARRANGEMENT SEE CIRCUIT DIAGRAM	<b>UNLESS OTHERWISE SPECIFIED TOLERANCES ARE</b>	
RELEASE FORCE -----6 OZ. MIN.	10 A-120,240,480 OR 600 VAC; 1/2 HP-120 VAC, 1 H.P.-240 VAC, 0.8 A-115 VDC, 0.4 A-230 VDC  PILOT DUTY RATING: 600 VAC MAX.	ONE PLACE (.0)	±.030
DIFFERENTIAL TRAVEL ---.020±.008		TWO PLACE (.00)	±.015
OVERTRAVEL-----.010 MIN.		THREE PLACE (.000)	±.005
		ANGLES	±
		WEIGHT	