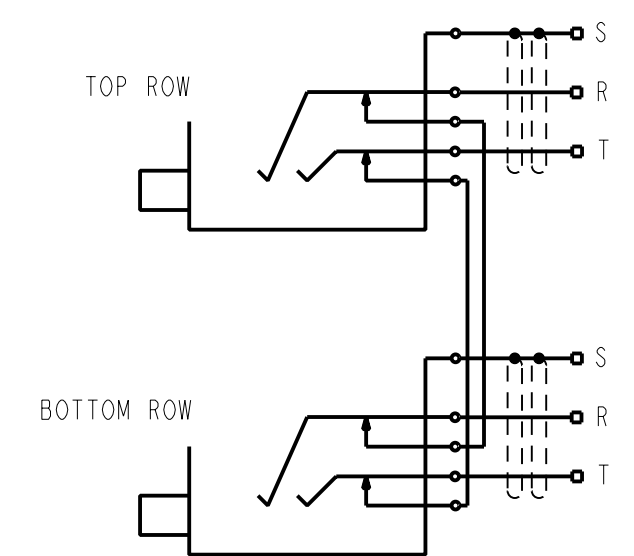
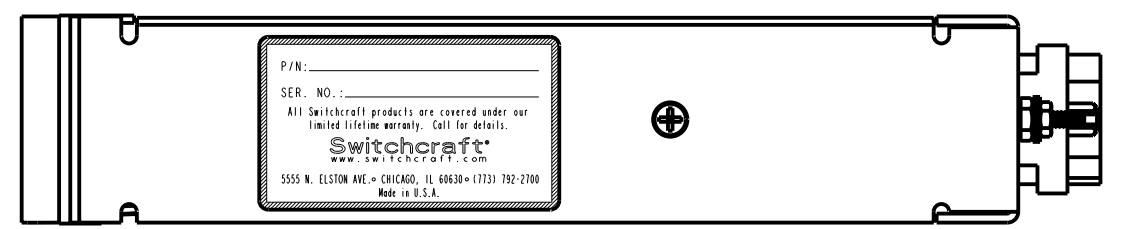
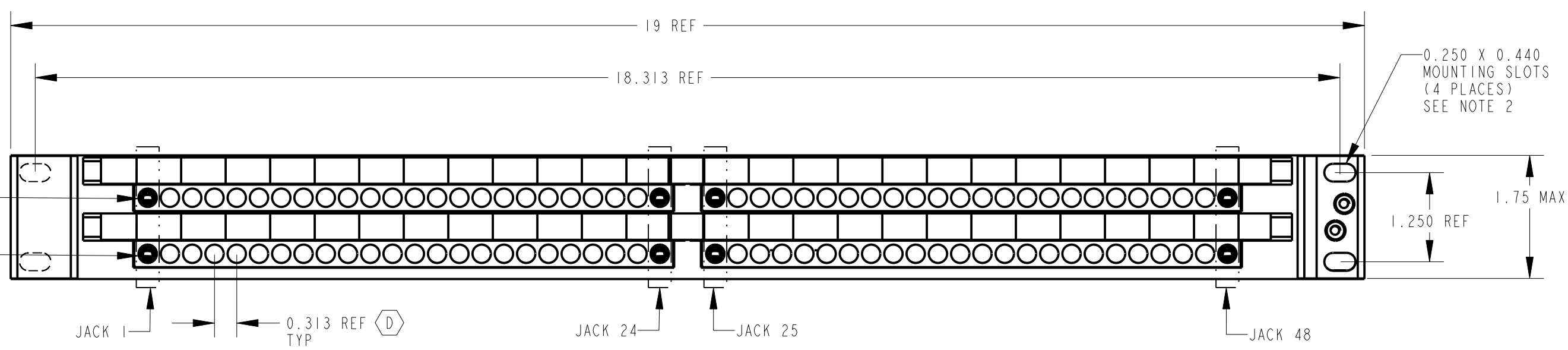
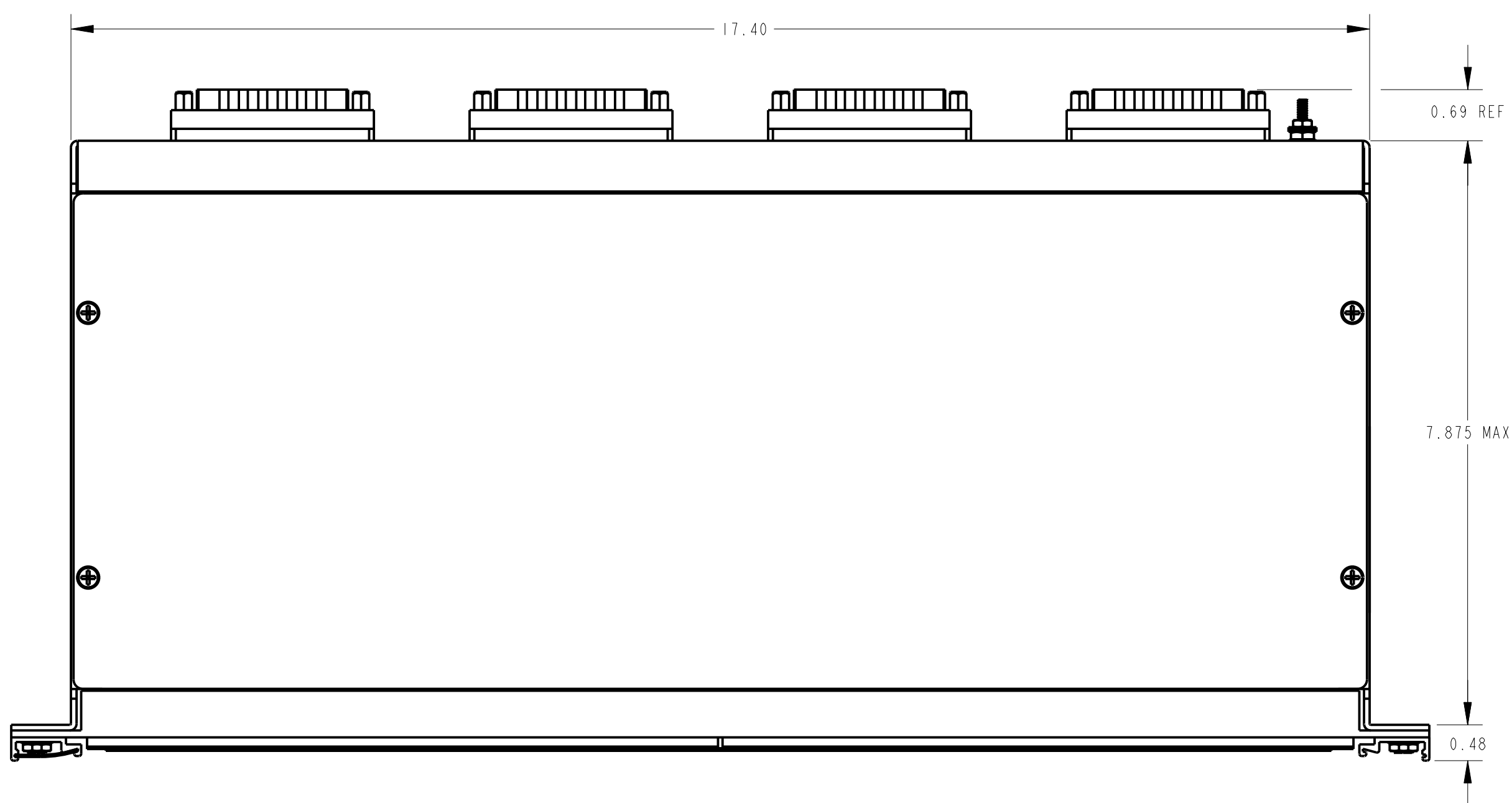


WIRING CONFIGURATION
WIRING VIEW - ROTATED 180°
(NO NORMALS)
SCALE 2:1



JACK SCHEMATIC
NORMALS AT JACKS

90 PIN CONNECTOR PIN-OUT			
JACK No.	TIP	RING	SLEEVE
1	A	H	R
JACKS #2 THRU #6 PATTERN CONTINUES TO F, N, W			
7	X	AE	AM
JACKS #8 THRU #12 PATTERN CONTINUES TO AC, AL, AT			
13	BJ	BS	BY
JACKS #14 THRU #18 PATTERN CONTINUES TO BP, BX, CD			
19	CF	CN	CW
JACKS #20 THRU #24 PATTERN CONTINUES TO CM, CU, DB			



NOTES:

- MATERIALS:
 JACKS: FRAME - STEEL, NICKEL PLATED
 BUSHING - BRASS, NICKEL PLATED
 TIP, RING & SHUNT SPRINGS - SPECIAL COPPER ALLOY
 SCREWS - STEEL, ZINC PLATED

 PANEL: FRONT CHANNEL - ANNOXIDIZED ALUMINUM, BLACK
 FRAME & COVER - STEEL, BLACK EPOXY PAINTED
 DESIGNATION STRIPS - THERMOPLASTIC, BLACK
 DESIGNATION STRIP COVERS - THERMOPLASTIC, CLEAR
 JACK INSERTS - THERMOPLASTIC, BLACK

EDAC CONNECTOR: HOUSING - THERMOPLASTIC, UL94V-0 PART #516-090-000-202
CONTACTS - PHOSPHOR BRONZE, GOLD PLATED

- MARKING STRIP SHEET, COVERS AND MOUNTING SCREWS NOT SHOWN, SHIPPED UNASSEMBLED.

CUSTOMER DRAWING

☆ STAR SYMBOL DENOTES CRITICAL DIMENSION UNLESS OTHERWISE SPECIFIED 1. ALL DIMENSIONS IN INCHES - TWO PLACE DECIMALS ±0.01 - THREE PLACE DECIMALS ±0.005 - ANGLES ±1° - ALL DIA. CONCENTRIC WITHIN 0.005 T.I.R. 2. FEATURES ON THE SAME CENTERLINE MUST BE ALIGNED WITHIN ±0.002 3. REMOVE ALL BURRS DO NOT SCALE DRAWING				THIS DRAWING DESCRIBES A DESIGN CONSIDERED PROPRIETARY IN NATURE, DEVELOPED AND MANUFACTURED BY SWITCHCRAFT INC. AND IS RELEASED ON A CONFIDENTIAL BASIS FOR IDENTIFICATION PURPOSES ONLY.			
SIZE	WIDTH	MULT	LBS/M	TEMPER			
FINISH		MATERIAL					
SPEC No.		SPEC No.					
FIRST USED ON		SCALE					
DATE DRAWN	BY	CHKD	APVD				
14-Nov-11	TO	11-14-11	11-14-11				
NAME			PART No.				
JACKFIELD			TTP96EDACNS				
2 X 48 MONO SPACED JACKS			REV D				

Mouser Electronics

Authorized Distributor

Click to View Pricing, Inventory, Delivery & Lifecycle Information:

[Switchcraft:](#)

[TTP96EDACNS](#)