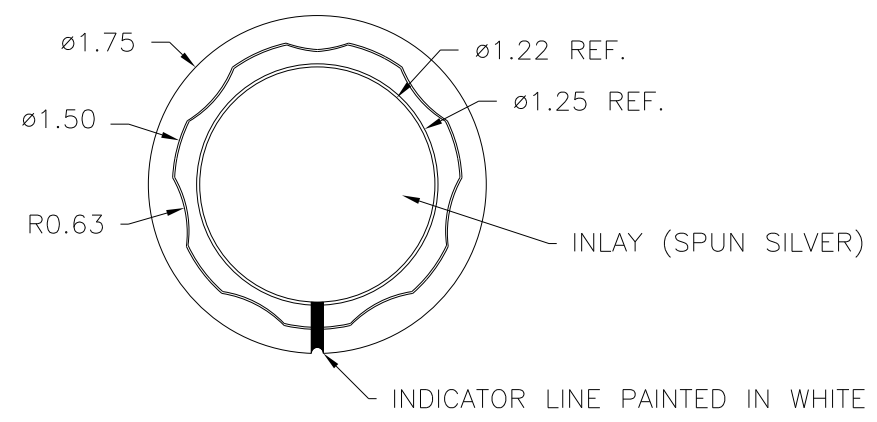
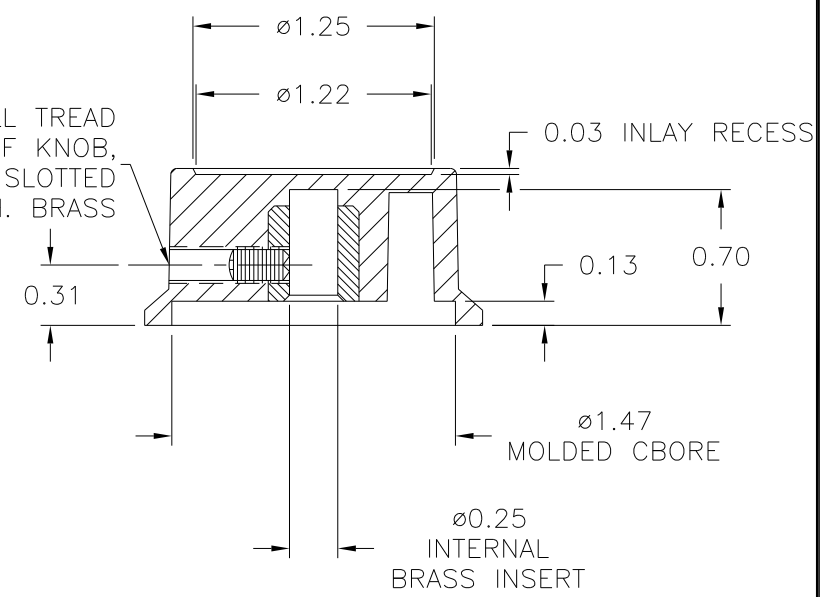
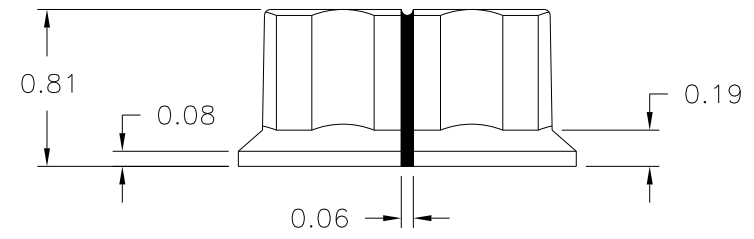


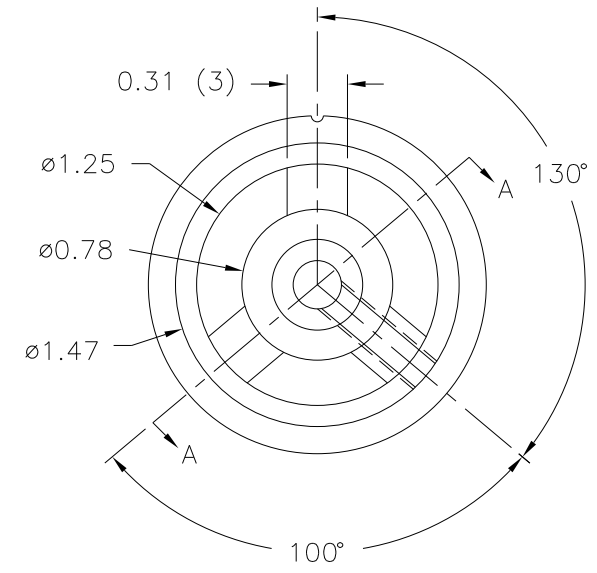
THIS DRAWING IS THE PROPERTY OF DAVIES MOLDING COMPANY, IS SUBMITTED SOLELY AS A DESIGN OR ENGINEERING PROJECT. WE ACCEPT NO RESPONSIBILITY WHATSOEVER FOR THE PRACTICAL APPLICATION OF THE PIECES MADE TO THIS DESIGN.



Ⓐ M4 X 0.7 TAPPED HOLE, FULL TREAD REQUIRED IN BODY OF KNOB, M4 X 0.7 X 8 LG. SLOTTED SET SCREW, H.H. BRASS



SECTION A-A



MATERIAL: PHENOLIC  
COLOR: BLACK

|   |                                  |   |                                |     |         |
|---|----------------------------------|---|--------------------------------|-----|---------|
| TOLERANCES:<br>UNLESS OTHERWISE SPECIFIED | DO NOT SCALE<br>DRAWING          | - | REMOVED ALTERNATE<br>SET SCREW | JAM | 8/6/01  |
| DECIMALS: X.XXX ± .005<br>X.XX ± .015     | MM: X.XX ± 0.15MM<br>X.X ± 0.4MM | A | ALTERNATE WAS METRIC           | JAM | 6/5/01  |
| FRACTIONS ± 1/64                          | ANG. ± 1°                        | - | REDRAW                         | JAM | 1/17/01 |
| CHANGES                                   |                                  |   |                                |     |         |