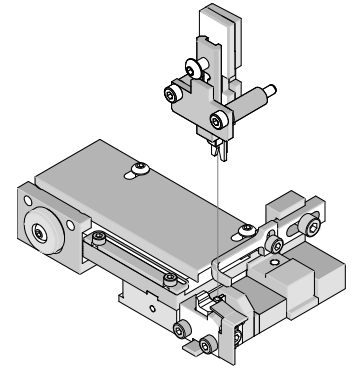




T2 Terminator Tooling Specification Sheet Order No. 63911-9500



FEATURES

- It is ideally suited for mid-volume bench operations
- This terminator can be installed in the TM42 and the TM40 press or Base Unit adapter for 3BF press
- Quick punch removal with the push of a button for fast and easy tooling change
- Track adjustment capabilities in the T2 Terminators for improved control of the bell mouth size and cutoff tab length
- T2 Terminator has standardized tooling with the Molex FineAdjust Applicator which will reduce your inventory requirements

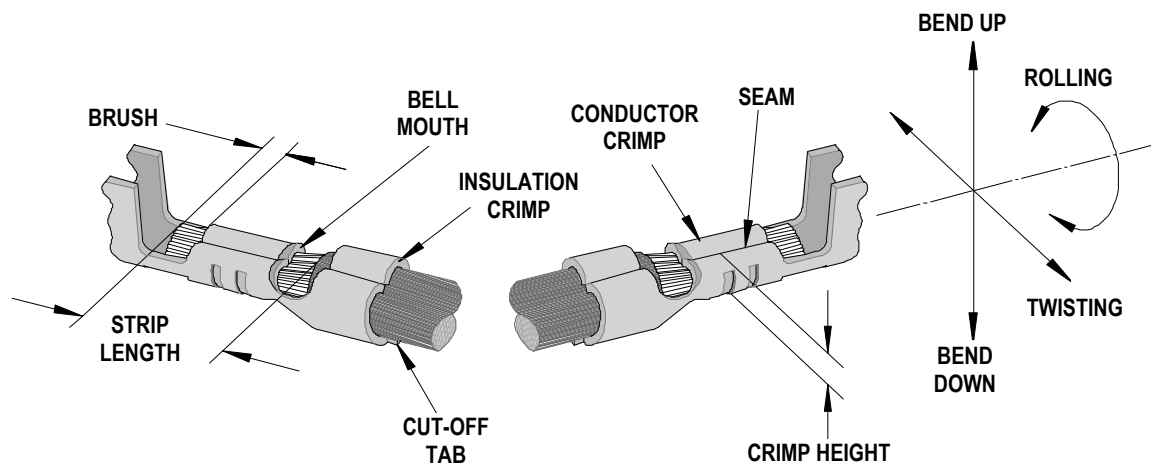
SCOPE

Products: 3.7 LED Connector Plug Crimp Terminal, 26-28 AWG.

Terminal Series No.	Terminal Order No.	Wire Size		Insulation Diameter				Strip Length	
				IPC/WHMA-A620 ♦		Terminal ♦♦			
		AWG	mm ²	mm	In.	mm	In.	mm	In.
503485	503485-0000	26-28	.141-.079	0.93-1.14	.037-.045	0.93-1.14	.037-.045	1.30-1.50	.051-.059

♦ To achieve optimum IPC-A620 insulation crimps, use this insulation OD range.
♦♦ Overall insulation OD specification for terminal.

DEFINITION OF TERMS



The above terminal drawing is a generic terminal representation. It is not an image of a terminal listed in the scope.

CRIMP SPECIFICATION

Terminal Series No.	Bell mouth		Cut-off Tab Maximum		Conductor Brush	
	Mm	In.	mm	In.	mm	In.
503485	0.10-0.30	.004-.012	0.15	.006	0.10-0.40	.004-.016

Terminal Series No.	Bend up	Bend down	Twist	Roll	Punch Width mm (Ref)				Seam Seam shall not be open and no wire allowed out of the crimping area
	Degree		Degree		Conductor		Insulation		
					mm	In	mm	In	
503485	3	3	3	6	0.80	.031	1.30	.051	

After crimping, the conductor profile should measure the following.

Terminal Series No.	Wire Size		Conductor Crimp				Pull Force Minimum	
	AWG	mm ²	Crimp Height		Crimp Width (Ref.)		N	Lb.
			mm	In.	mm	In.		
503485	26	0.14	0.56-0.61	.022-.024	0.85	.033	9.80	2.20
	28	0.08	0.53-0.58	.021-.023	0.85	.033	9.80	2.20

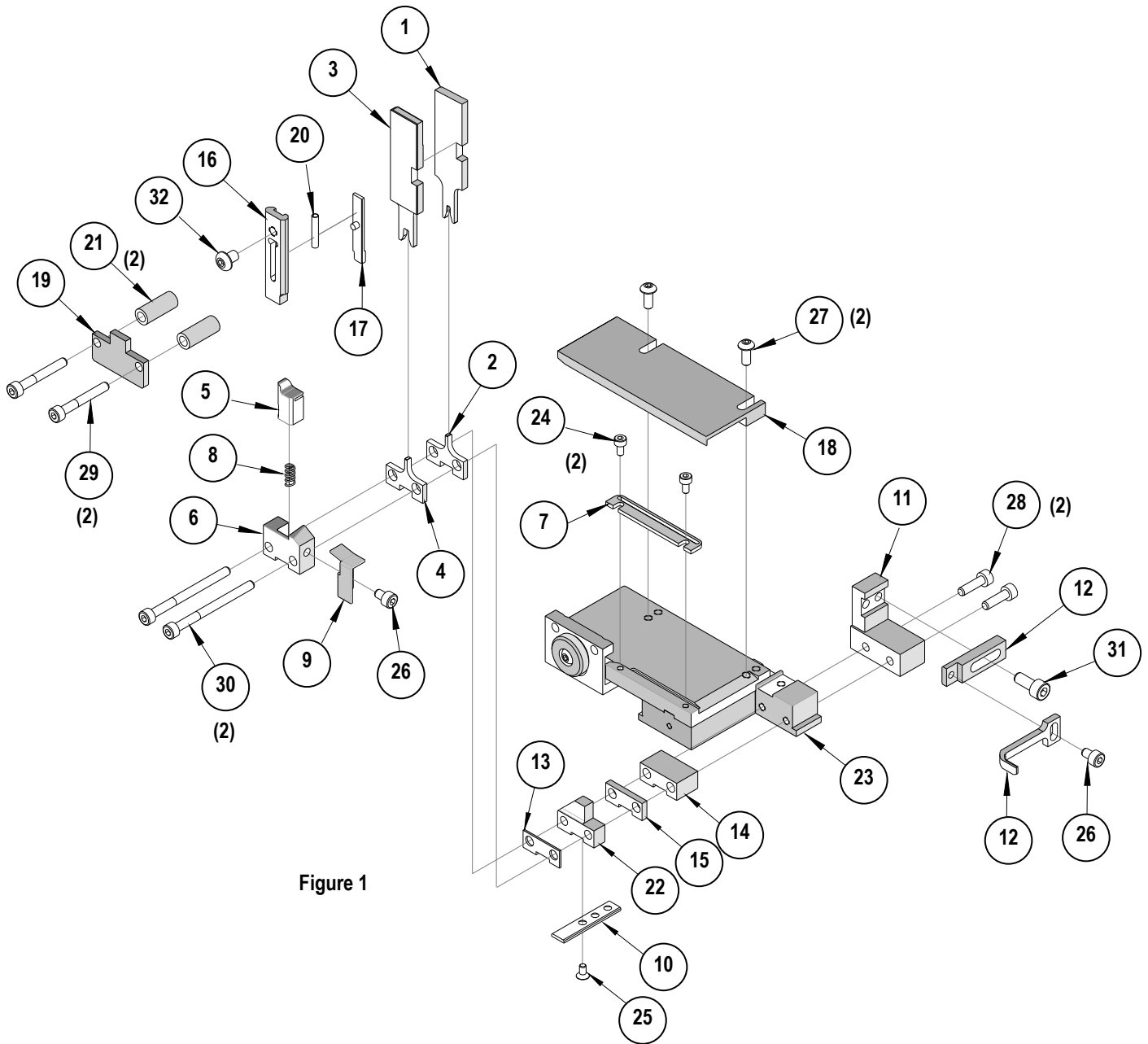
Terminal Ord. No.	Wire Size		Insulation			
	AWG	mm ²	Crimp Height		Crimp Width (Ref.)	
			mm	In.	mm	In.
503485	26	0.14	1.30-1.50	.051-.059	1.35	.053
	28	0.08	1.30-1.50	.051-.059	1.35	.053

Pull Force should be measured with no influence from the insulation crimp.
The above specifications are guidelines to an optimum crimp.

PARTS LIST

T2 Terminator 63911-9500				
Item	Order No	Engineering No.	Description	Quantity
Perishable Tooling				
	63911-9570	63911-9570	Tool Kit (All "Y" Items)	REF
1	63457-0072	63457-0072	Conductor Punch	1 Y
2	63455-0099	63455-0099	Conductor Anvil	1 Y
3	63454-0119	63454-0119	Insulation Punch	1 Y
4	63456-0082	63456-0082	Insulation Anvil	1 Y
5	63443-0005	63443-0005	Front Cut-Off Plunger	1 Y
6	63443-0012	63443-0012	Front Plunger Retainer	1 Y
Other Components				
7	11-18-4083	60707-8	Feed Guide	1
8	11-24-1067	4996-4	Cut-Off Plunger Spring	1
9	63443-0009	63443-0009	Front Scrap Chute	1
10	63443-0024	63443-0024	Key	1
11	63443-0085	63443-0085	Wire Stop L-Bracket	1
12	63443-0090	63443-0090	Wire Stop	1
13	63443-2201	63443-2201	1.00mm Coarse Spacer	1
14	63443-2216	63443-2216	16.00mm Coarse Spacer	1
15	63443-2312	63443-2312	3.60mm Fine Spacer	1
16	63443-2805	63443-2805	Front Plunger Striker	1
17	63443-2905	63443-2905	Wire Hold Down Plunger	1
18	63443-6001	63443-6001	Rear Cover	1
19	63443-7201	63443-7201	Spring Cover	1
20	63600-0021	63600-0021	Wire Hold Down Spring	1
21	63600-2972	63600-2972	Collar	2
22	63890-0093	63890-0093	Height Spacer	1
Frame				
23	63800-8500	63800-8500	T2 Terminator	1
Hardware				
24	N/A	N/A	M3 by 6 Long SHCS	2**
25	N/A	N/A	M3 by 6 Long FHCS	1**
26	N/A	N/A	M4 by 6 Long SHCS	2**
27	N/A	N/A	M4 by 12 Long BHCS	2**
28	N/A	N/A	M4 by 14 Long SHCS	2**
29	N/A	N/A	M4 by 30 Long SHCS	2**
30	N/A	N/A	M4 by 50 Long SHCS	2**
31	N/A	N/A	M5 by 12 Long SHCS	1**
32	N/A	N/A	#10-32 by 3/8" Long BHCS	1**
** Available from an industrial supply company such as MSC (1-800-645-7270).				

Assembly Drawing



NOTES

Depending on the press vintage a feed finger assembly is supplied with the T2 Terminator.

1. To remove the existing feed finger assembly loosens the M4 x 10 mm set screw in the feed lever.
2. Select T2 Feed finger assembly from Terminator box.
3. Insert a screwdriver into the slot behind the feed lever and force the feed arm spring to the right.
4. Slide the T2 feed finger shaft for TM42 (11-40-5307) or (11-40-0123) for TM40 /Base Unit into the feed lever and to the left of the feed arm spring.
5. Release the feed arm spring.
6. Position feed finger for selected product. (Refer to Figure 5.1 in the T2 Manual).

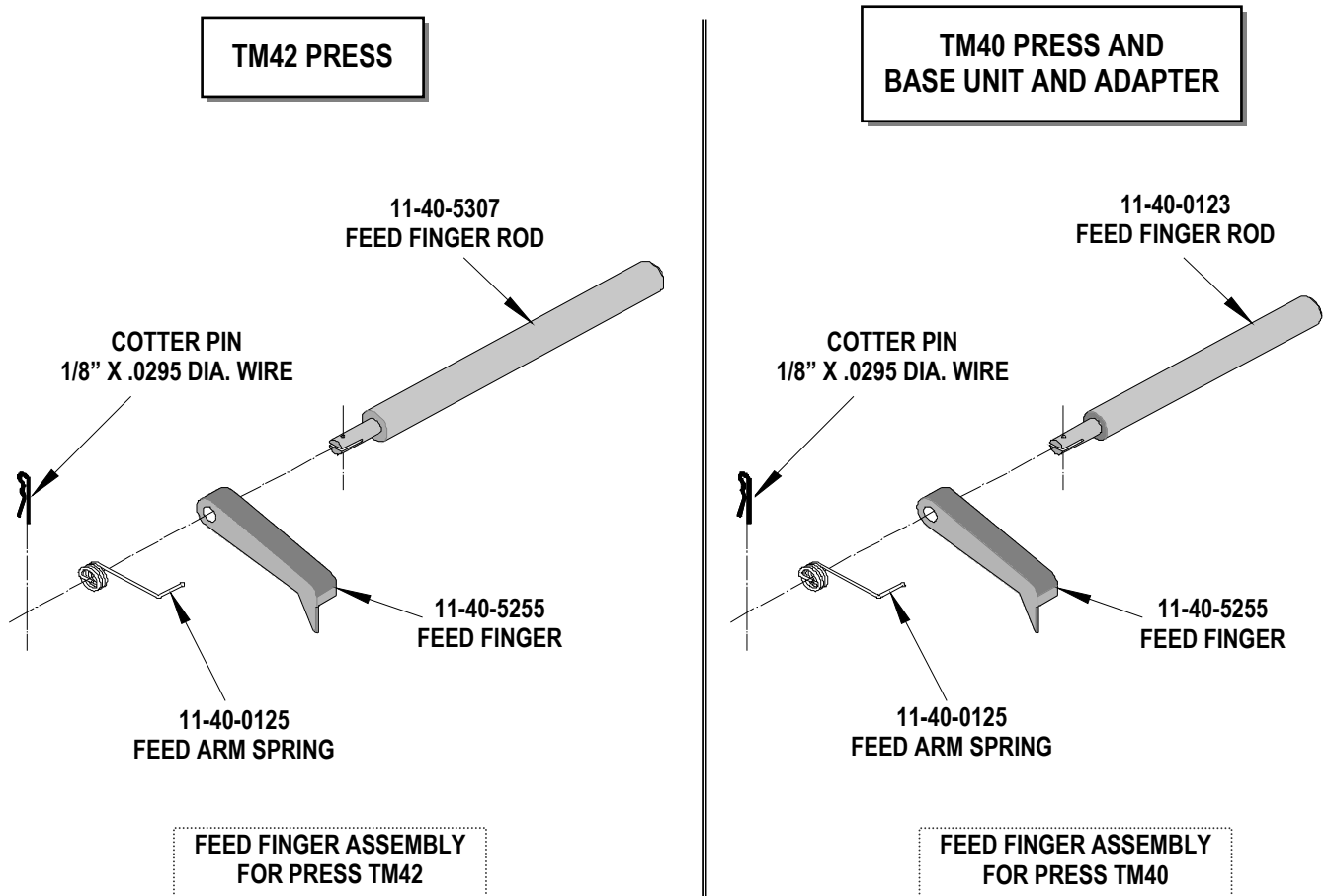


Figure 2

NOTES

1. Molex recommends an extra perishable tooling kit be maintained at your facility.
2. Verify tooling alignment by manually cycling the press before crimping under power. Check that all screws are tight.
3. Slugs, Terminals, Dirt and Oil should be kept clear of work area.
4. This Terminator should be only used in a Molex TM42, TM40, or 3BF Press with a Base Unit adaptor.
5. Wear safety glasses at all times.
6. For recommended maintenance refer to the TM40, TM42 Manual.

CAUTION: To prevent injury never operate this Terminator without the guards supplied with the press or in place. Reference the TM42 press manufacturer's instruction manual.

CAUTION: Molex crimp specifications are valid only when used with Molex terminals, applicators and tooling.

<http://www.molex.com>