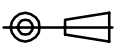



RoHS Compliant				PROJECTION: 	GENERAL TOLERANCE .X = +/- 0.2 .XX = +/- 0.15		DESCRIPTION: Compact Flash Card Connector - Header - 50 pins	SIZE <b>A4</b>		
APPROVAL: RJ									UNIT: MM	WERI PART NO: 693 120 015 011
B	12-FEB-17	TKP	GG						SCALE:	
A	11-AUG-31	PDF	GG						SHEET: 1/2	
REV	DATE	FILE	BY	DRAW: VICKY						

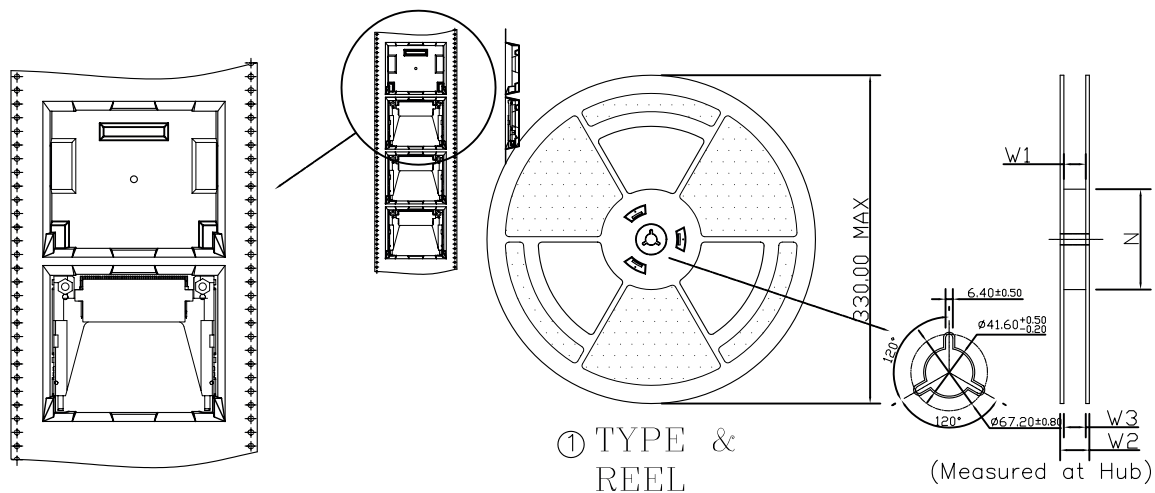
1

2

3

4

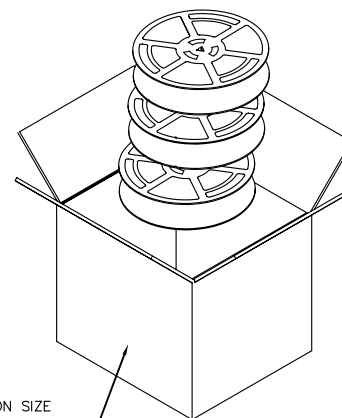
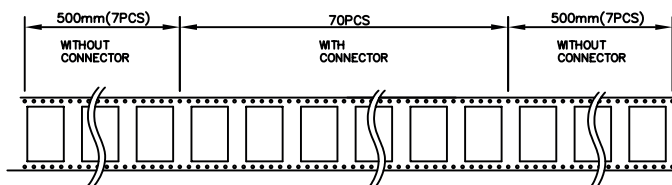
5



## NOTES

1. MATERIALS: PS (BLUE)
2. PACKING: 70PCS/TYPE & REEL  
(210PCS/CARTON)

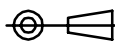
Tape Size	N (Min)	W1 $\begin{smallmatrix} +2.00 \\ -0 \end{smallmatrix}$	W2(Max)	W3(Max)
72	100	72.4	78.4	75.4



CARTON SIZE  
355(L)X355(W)X330(H)

RoHS Compliant

PROJECTION:



GENERAL TOLERANCE

.X =  $\pm$  0.2.XX =  $\pm$  0.15

APPROVAL: RJ

UNIT: MM

SCALE:

SHEET: 2/2

DRAW: VICKY

DESCRIPTION: Compact Flash Card Connector - Header - 50 pins

WERI PART NO: 693 120 015 011

SIZE

A4

REV

DATE

FILE

BY

D