

DESCRIPTION

The MP3394S is a step-up controller with 4 current channels. It's designed to drive WLED arrays for large-size LCD-panel backlighting applications. The MP3394S is flexible, and can expand the number of LED channels with 1 or 2 MP3394S in parallel operating from a single inductive power source.

The MP3394S uses an architecture of current – mode and fixed operation frequency. The frequency is programmable by an external frequency-setting resistor. MP3394S drives an external MOSFET to boost up the output voltage from a 5V to 28V input supply. It regulates the current in each LED string to the programmed value set by an external current-setting resistor.

The MP3394S applies 4 internal current sources for current balance. The current matching can achieve 2.5% regulation accuracy between strings. Its low regulation voltage on LED current sources reduces power loss and improves efficiency.

An external PWM input signal or DC input signal controls PWM dimming. In DC-input dimming mode, the dimming PWM signal can be generated internally and the dimming frequency is programmed by an external setting capacitor.

FEATURES

- 4-String, Max 200mA/String WLED Driver
- 5V to 28V Input Voltage Range
- 2.5% Current Matching Accuracy Between Strings
- Programmable Switching Frequency
- PWM or DC Input Burst PWM Dimming
- Open and Short LED Protection
- Programmable Over-Voltage Protection
- Cascading Capability with a Single Power Source
- Under-Voltage Lockout
- Thermal Shutdown
- TSSOP16EP, SOIC16 and SOIC20 Packages

APPLICATIONS

- Desktop LCD Flat Panel Displays
- Flat Panel Video Displays
- 2D/3D LCD TVs and Monitors

All MPS parts are lead-free and adhere to the RoHS directive. For MPS green status, please visit MPS website under Quality Assurance. "MPS" and "The Future of Analog IC Technology" are Registered Trademarks of Monolithic Power Systems, Inc.

TYPICAL APPLICATION



ORDERING INFORMATION

Part Number	Package	Top Marking
MP3394SGF*	TSSOP16EP	MP3394S
MP3394SGS**	SOIC16	MP3394S
MP3394SGY***	SOIC20	MP3394S

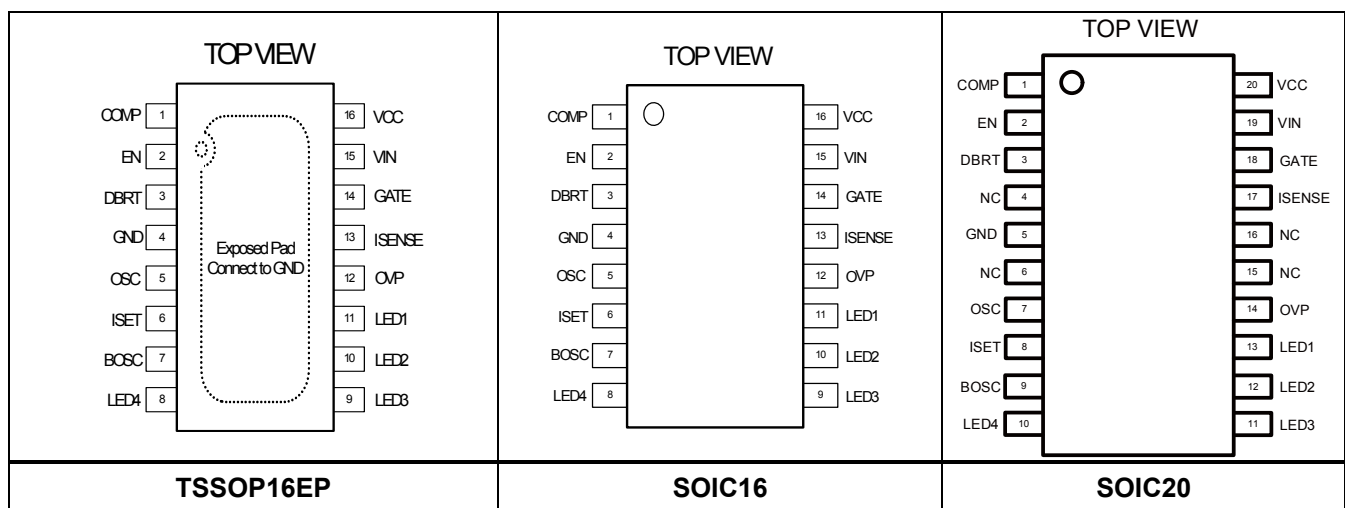
*For Tape & Reel, add suffix -Z (eg. MP3394SGF-Z).

**For Tape & Reel, add suffix -Z (eg. MP3394SGS-Z).

***For Tape & Reel, add suffix -Z (eg. MP3394SGY-Z).

Contact Factory for TSSOP16EP Availability

PACKAGE REFERENCE



ABSOLUTE MAXIMUM RATINGS ⁽¹⁾

VIN	-0.3V to +30V
V _{GATE}	-0.5V to +6.8V
VCC	-0.5V to +6.8V
V _{LED1} to V _{LED4}	-1V to +55V
All Other Pins	-0.3V to +6.3V
Continuous Power Dissipation (T_A = 25°C) ⁽²⁾	
TSSOP16EP	2.78 W
SOIC16	1.56 W
SOIC20	1.74W
Junction Temperature	150°C
Lead Temperature	260°C
Storage Temperature	-65 °C to +150°C

Recommended Operating Conditions ⁽³⁾

Supply Voltage VIN	5V to 28V
LED Current (Backlight)	10mA to 180mA
Operating Junction Temp. (T _J)	-40°C to +125°C

Thermal Resistance ⁽⁴⁾ θ_{JA} θ_{JC}

TSSOP16EP	45	10 ... °C/W
SOIC16	80	35 ... °C/W
SOIC20	72	30 ... °C/W

Notes:

- 1) Exceeding these ratings may damage the device.
- 2) The maximum allowable power dissipation is a function of the maximum junction temperature T_J (MAX), the junction-to-ambient thermal resistance θ_{JA} , and the ambient temperature T_A. The maximum allowable continuous power dissipation at any ambient temperature is calculated by P_D (MAX) = (T_J (MAX)-T_A)/ θ_{JA} . Exceeding the maximum allowable power dissipation will cause excessive die temperature, and the regulator will go into thermal shutdown. Internal thermal shutdown circuitry protects the device from permanent damage.
- 3) The device is not guaranteed to function outside of its operation conditions.
- 4) Measured on JESD51-7, 4-layer PCB.

ELECTRICAL CHARACTERISTICS

$V_{IN} = 12V$, $V_{EN} = 5V$, $T_A = 25^\circ C$, unless otherwise noted.

Parameters	Symbol	Condition	Min	Typ	Max	Units
Operating Input Voltage	V_{IN}		5		28	V
Supply Current (Quiescent)	I_Q	$V_{IN}=12V$, $V_{EN}=5V$, no load with switching		4		mA
Supply Current (Shutdown)	I_{ST}	$V_{EN}=0V$, $V_{IN}=12V$			2	μA
LDO Output Voltage	V_{CC}	$V_{EN}=5V$, $7V < V_{IN} < 28V$, $0 < I_{VCC} < 10mA$	5.2	5.8	6.4	V
Input UVLO Threshold	V_{IN_UVLO}	Rising Edge	3.5	3.9	4.4	V
Input UVLO Hysteresis				200		mV
EN High Voltage	V_{EN_HIGH}	V_{EN} Rising	1.8			V
EN Low Voltage	V_{EN_LOW}	V_{EN} Falling			0.6	V
STEP-UP CONVERTER						
Gate Driver Impedance (Sourcing)		$V_{CC}=6V$, $V_{GATE}=6V$		4		Ω
Gate Driver Impedance (Sinking)		$V_{CC}=6V$, $I_{GATE}=10mA$		2		Ω
Switching Frequency	f_{SW}	$R_{OSC} = 115k\Omega$	470	570	670	kHz
		$R_{OSC} = 374k\Omega$	140	175	210	kHz
OSC Voltage	V_{OSC}		1.17	1.22	1.26	V
Maximum Duty Cycle	D_{MAX}		90			%
ISENSE Limit		Max Duty Cycle	150	200	250	mV
COMP Source Current Limit	I_{COMP_SOLI}			65		μA
COMP Sink Current Limit	I_{COMP_SILI}			15		μA
COMP Trans-conductance	G_{COMP}	$\Delta I_{COMP} = \pm 10\mu A$		400		$\mu A/V$
PWM DIMMING						
DBRT Leakage Current	I_{DBRT_LK}		-5		5	μA
BOSC Frequency	f_{BOSC}	$C_{BOSC} = 2.2nF$	1.0	1.5	2	kHz
BOSC Output Current	I_{BOSC}		6	7.5	9	μA
LED CURRENT REGULATION						
ISET Voltage	V_{ISET}		1.17	1.22	1.26	V
LEDX Average Current	I_{LED}	$R_{ISET} = 30k\Omega$	31	32	33	mA
Current Matching ⁽⁵⁾		$I_{LED} = 32mA$			2.5	%

ELECTRICAL CHARACTERISTICS *(continued)*
 $V_{IN} = 12V$, $V_{EN} = 5V$, $T_A = 25^{\circ}C$, unless otherwise noted.

Parameters	Symbol	Condition	Min	Typ	Max	Units
LEDX Regulation Voltage	V_{LEDX}	$I_{LED}=60mA$		300		mV
PROTECTION						
OVP(Over Voltage Protection) Threshold	V_{OVP_OV}	Rising Edge	1.18	1.23	1.28	V
OVP UVLO threshold	V_{OVP_UV}	Step-up Converter Fails	40	75	110	mV
LEDX UVLO Threshold	V_{LEDX_UV}		106	196	286	mV
LEDX Over Voltage Threshold	V_{LEDX_OV}		5.6	6.1	6.6	V
Thermal Shutdown Threshold	T_{ST}			150		$^{\circ}C$

Notes:

5) Matching is defined as the difference of the maximum to minimum current divided by 2 times average currents.

TYPICAL PERFORMANCE CHARACTERISTICS

$V_{IN} = 12V$, 10LEDs in series 4 strings, 120mA/string, unless otherwise noted.

Efficiency vs. V_{IN}



Steady State



V_{IN} Power On



EN Power On



DC Burst Dimming

$V_{DIM} = 0.3V$, $C_{BOSC} = 1.5nF$



External PWM Dimming

$f_{PWM} = 200Hz$, $D_{PWM} = 50\%$



Open LED Protection

Open all LED string at working



Open LED Protection

Open one LED string at working



Short LED Protection

Short V_{OUT} to LEDx at working



PIN FUNCTIONS

TSSOP16EP &SOIC16 Pin #	SOIC20 Pin #	Name	Description
1	1	COMP	Step-up Converter Compensation Pin. This pin compensates the regulation control loop. Connect a ceramic capacitor from COMP to GND.
2	2	EN	Enable Control Input. A voltage greater than 1.8V will turn the part on and less than 0.6 V will turn the part off. Do not let this pin float.
3	3	DBRT	Brightness Control Input. Apply a PWM signal on this pin for external PWM dimming mode. Apply a DC voltage range from 0.2V to 1.2V on this pin to linearly set the internal dimming duty cycle from 0% to 100% for DC-input PWM dimming mode. The MP3394S has positive dimming polarity on DBRT.
4	5	GND	Ground.
5	7	OSC	Switching Frequency Set. Connect a resistor between OSC and GND to set the step-up converter's switching frequency. The voltage at this pin is regulated to 1.22V. The clock frequency is proportional to the current sourced from this pin.
6	8	ISET	LED Current Set. Tie a current-setting resistor from this pin to ground to program the current in each LED string. This pin voltage is regulated to 1.22V. The LED current is proportional to the current through the ISET resistor.
7	9	BOSC	Dimming Repetition Set. This is the timing pin for the oscillator to set the dimming frequency. To use DC input PWM dimming mode, connect a capacitor from this pin to GND to set the internal dimming frequency. A saw-tooth waveform is generated on this pin. To use external PWM dimming mode, connect a resistor from this pin to GND, and apply the PWM signal on DBRT pin.
8	10	LED4	LED String 4 Current Input. This pin is the open-drain output of an internal dimming control switch. Connect the LED String 4 cathode to this pin.
9	11	LED3	LED String 3 Current Input. This pin is the open-drain output of an internal dimming control switch. Connect the LED String 3 cathode to this pin.
10	12	LED2	LED String 2 Current Input. This pin is the open-drain output of an internal dimming control switch. Connect the LED String 2 cathode to this pin.
11	13	LED1	LED String 1 Current Input. This pin is the open-drain output of an internal dimming control switch. Connect the LED String 1 cathode to this pin.
12	14	OVP	Over-Voltage Protection Input. Connect a resistor divider from output to this pin to program the OVP threshold. When this pin voltage reaches 1.23V, the MP3394S triggers Over Voltage Protection mode.
13	17	ISENSE	Current Sense Input. During normal operation, this pin senses the voltage across the external-inductor current-sensing resistor (R_{SENSE}) for peak-current-mode control and also to limit the inductor current during every switching cycle. If this pin is not used for cascading applications, tie this pin to GND; do not let this pin float.
14	18	GATE	Step-up Converter Power Switch's Gate Driver Output. This pin drives the external power N-MOS device.

PIN FUNCTIONS *(continued)*

TSSOP16EP &SOIC16 Pin #	SOIC20 Pin #	Name	Description
15	19	VIN	Supply Input. VIN supplies the power to the chip, as well as the step-up converter switch. Drive VIN with a 5V to 28V power source. Must be locally bypassed.
16	20	VCC	The Internal 5.8V Linear Regulator Output. VCC provides power supply for the external- MOSFET switch-gate driver and the internal control circuitry. Bypass VCC to GND with a ceramic capacitor.
	4, 6, 15, 16	NC	No Connect.

FUNCTIONAL BLOCK DIAGRAM



Figure 1—MP3394S Functional Block Diagram

OPERATION

Employing the peak-current mode and a programmable constant frequency, the MP3394S is a step-up LED driver with 4 channels or regulated current sources to drive an array of up to 4 strings of white LEDs.

Internal Regulator

The MP3394S includes an internal linear regulator (VCC). When VIN is greater than 6V, this regulator outputs a 5.8V power supply to the external MOSFET switch's gate driver and the internal control circuitry. The VCC voltage drops to 0V when the chip shuts down. The MP3394S features under-voltage lockout (UVLO). The chip is disabled until VCC exceeds the UVLO threshold. The UVLO hysteresis is approximately 200mV.

System Startup

When enabled, the MP3394S checks the topology connection first. The chip monitors the over-voltage protection (OVP) pin to see if the Schottky diode is connected or if the boost output is shorted to GND. An OVP voltage of less than 75mV will disable the chip. The MP3394S also checks other safety limits, including UVLO and over-temperature protection (OTP) after passing the OVP test. If all the protection tests pass, the chip then starts boosting the step-up converter with an internal soft-start.

It is recommended that the enable signal is given after the establishment of the input voltage and PWM dimming signal during the start-up sequence.

Step-Up Converter

The converter's operating frequency is programmable (from 100kHz to 500kHz) with an external set resistor on the OSC pin. This flexibility helps to optimize the size of external components and improve the efficiency.

At the beginning of each cycle, the internal clock output a signal to turn on the external MOSFET (minimum turn on time is 100ns). A stabilizing ramp added to the output of the current sense amplifier prevents sub-harmonic oscillations for duty cycles greater than 50 percent. This result is fed into the PWM comparator. When this resulting voltage reaches the output voltage of

the error amplifier (V_{COMP}), the external MOSFET turns off.

The output voltage of the internal error amplifier is an amplified signal of the difference between the reference voltage and the feedback voltage. The converter automatically chooses the lowest active LEDX pin voltage to provide a high-enough bus voltage to power all the LED arrays.

If the feedback voltage drops below the reference, the output of the error amplifier increases. This result in more current flowing through the MOSFET, thus increasing the power delivered to the output. This forms a closed loop that regulates the output voltage.

Under light-load operation—where $V_{OUT} \approx V_{IN}$ —, the converter runs in pulse-skipping mode where the MOSFET turns on for a minimum on-time of approximately 100ns, and then the converter discharges the power to the output for the remaining period. The external MOSFET remains off until the output voltage needs to be boosted again.

Dimming Control

The MP3394S provides two PWM dimming methods: external PWM signal or DC-input PWM dimming mode (see Figure 2).

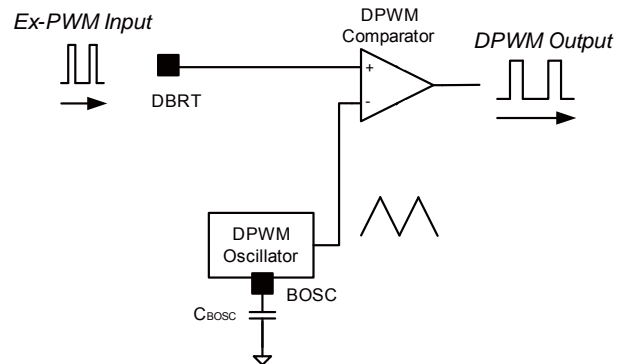


Figure 2—PWM Dimming Method

For external PWM dimming, ground the BOSC pin through a resistor, and apply an external PWM signal to the DBRT pin.

For DC-input PWM dimming, apply a DC analog signal to the DBRT pin, and connect a capacitor on BOSC pin to ground. The DC signal is then converted to a DPWM dimming signal with a proportional oscillation frequency.

The brightness of the LED array is proportional to the duty cycle of the DPWM signal. The DPWM signal frequency is set by the capacitor from the BOSC pin to ground.

Open String Protection

Open string protection is achieved through the OVP pin and the LED (1 to 4) pins. If one or more strings are open, the respective LEDX pins are pulled to ground and the IC keeps charging the output voltage until it reaches the over-voltage protection (OVP) threshold. Then the chip marks off the strings which have an LEDX pin voltage lower than 196mV. Once marked, the remaining LED strings force the output voltage back into tight regulation. The string with the largest voltage drop determines the output regulation.

The MP3394S will always attempt to light at least one string. If all strings are open, the MP3394S shuts down the step-up converter. The strings will remain in this marked state until the chip reset.

Short String Protection

The MP3394S monitors the LEDX pin voltages to determine if a short string fault has occurred. If one or more strings are shorted, the respective LEDX pins tolerate high voltage stress. If an LEDX pin voltage is higher than 6.1V, this condition triggers the detection of a short string. When a short string faults (LEDX over-voltage fault) keeps for 4096 switching clocks, the fault string is marked OFF and disabled. Once a string is marked OFF, it disconnects from the output voltage loop. The marked LED strings shut off completely until the part restarts. If all strings are shorted, the MP3394S will shut down the step-up converter. The strings remain marked OFF until the chip resets.

Thermal Shut Down Protection

When MP3394S die temperature exceeds the thermal protection threshold, the thermal protection is triggered. IC shuts down until EN restart.

APPLICATION INFORMATION

Selecting the Switching Frequency

The switching frequency of the step-up converter is recommended from 100kHz to 500kHz for most of application. An oscillator resistor on OSC pin sets the internal oscillator frequency for the step-up converter according to the equation:

$$f_{sw}(\text{kHz}) = \frac{69190}{R_{osc}(\text{k}\Omega)}$$

For $R_{osc}=374\text{k}\Omega$, the switching frequency is set to 185 kHz.

Setting the LED Current

The LED string currents are identical and set through the current setting resistor on the ISET pin. The ISET pin can not be open.

$$I_{LED}(\text{mA}) = \frac{800 \times 1.22\text{V}}{(R_{SET} + 0.5)\text{k}\Omega}$$

Selecting the Input Capacitor

The input capacitor reduces the surge current drawn from the input supply and the switching noise from the device. The input capacitor impedance at the switching frequency should be less than the input source impedance to prevent the high-frequency switching current from passing through to the input. Use ceramic capacitors with X5R or X7R dielectrics for their low ESR and small temperature coefficients. For most applications, use a $4.7\mu\text{F}$ ceramic capacitor in parallel with a $220\mu\text{F}$ electrolytic capacitor.

Selecting the Inductor and Current Sensing Resistor

The MP3394S requires an inductor to supply a higher output voltage while being driven by the input voltage. A larger value inductor results in less ripple current, resulting in lower peak inductor current and reducing stress on the internal N-channel MOSFET. However, the larger value inductor has a larger physical size, higher series resistance, and lower saturation current.

Choose an inductor that does not saturate under the worst-case load conditions. Select the minimum inductor value to ensure that the boost converter works in continuous conduction mode with high efficiency and good EMI performance. Calculate the required inductance value using the equation:

$$L \geq \frac{\eta \times V_{OUT} \times D \times (1-D)^2}{2 \times f_{sw} \times I_{LOAD}}$$

$$D = 1 - \frac{V_{IN}}{V_{OUT}}$$

Where V_{IN} and V_{OUT} are the input and output voltages, f_{sw} is the switching frequency, I_{LOAD} is the LED load current, and η is the efficiency.

The switching current is usually used for the peak current mode control. In order to avoid hitting the current limit, the voltage across the sensing resistor R_{SENSE} must measure less than 80% of the worst-case current-limit voltage, V_{SENSE} .

$$R_{SENSE} = \frac{0.8 \times V_{SENSE}}{I_{L(PEAK)}}$$

$$I_{L(PEAK)} = \frac{V_{OUT} \times I_{LOAD}}{\eta V_{IN}} + \frac{V_{IN} \times (V_{OUT} - V_{IN})}{2 \times L \times f_{sw} \times V_{OUT}}$$

Where $I_{L(PEAK)}$ is the peak value of the inductor current. V_{SENSE} is shown in Figure 3.

Vsense vs. Duty Cycle

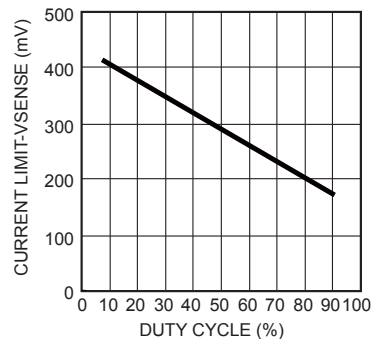


Figure 3— V_{SENSE} vs Duty Cycle

Selecting the Power MOSFET

The MP3394S is capable of driving a wide variety of N-channel power MOSFETS. The critical parameters of selection of a MOSFET are:

1. Maximum drain-to-source voltage, $V_{DS(MAX)}$
2. Maximum current, $I_{D(MAX)}$
3. On-resistance, $R_{DS(ON)}$

4. Gate source charge Q_{GS} and gate drain charge Q_{GD}
5. Total gate charge, Q_G

Ideally, the off-state voltage across the MOSFET is equal to the output voltage. Considering the voltage spike when it turns off, $V_{DS(MAX)}$ should be greater than 1.5 times of the output voltage.

The maximum current through the power MOSFET occurs at the maximum input voltage and the maximum output power. The maximum RMS current through the MOSFET is given by

$$I_{RMS(MAX)} = I_{IN(MAX)} \times \sqrt{D_{MAX}}, \text{ where:}$$

$$D_{MAX} \approx \frac{V_{OUT} - V_{IN(MIN)}}{V_{OUT}}$$

The current rating of the MOSFET should be greater than $1.5 \times I_{RMS}$

The ON resistance of the MOSFET determines the conduction loss, which is given by:

$$P_{cond} = I_{RMS}^2 \times R_{DS(on)} \times k$$

Where k is the temperature coefficient of the MOSFET.

The switching loss is related to Q_{GD} and Q_{GS1} which determine the commutation time. Q_{GS1} is the charge between the threshold voltage and the plateau voltage when a driver charges the gate, which can be read in the chart of V_{GS} vs. Q_G of the MOSFET datasheet. Q_{GD} is the charge during the plateau voltage. These two parameters are needed to estimate the turn-on and turn-off losses.

$$P_{SW} = \frac{Q_{GS1} \times R_G}{V_{DR} - V_{TH}} \times V_{DS} \times I_{IN} \times f_{SW} + \frac{Q_{GD} \times R_G}{V_{DR} - V_{PLT}} \times V_{DS} \times I_{IN} \times f_{SW}$$

Where V_{TH} is the threshold voltage, V_{PLT} is the plateau voltage, R_G is the gate resistance, and V_{DS} is the drain-source voltage. Please note that calculating the switching loss is the most difficult part in the loss estimation. The formula above provides a simplified equation. For more accurate estimates, the equation becomes much more complex.

The total gate charge, Q_G , is used to calculate the gate drive loss. The expression is

$$P_{DR} = Q_G \times V_{DR} \times f_{SW}$$

Where V_{DR} is the drive voltage.

Selecting the Output Capacitor

The output capacitor keeps the output voltage ripple small and ensures feedback loop stability. The output capacitor impedance must be low at the switching frequency. Ceramic capacitors with X7R dielectrics are recommended for their low ESR characteristics. For most applications, a 4.7 μ F ceramic capacitor in parallel with a 22 μ F electrolytic capacitor will suffice.

Setting the Over Voltage Protection

The open string protection is achieved through the detection of the voltage on the OVP pin. In some cases, an LED string failure results in the feedback voltage always zero. The part then keeps boosting the output voltage higher and higher. If the output voltage reaches the programmed OVP threshold, the protection will be triggered.

To ensure the chip functions properly, select the resistor values for the OVP resistor divider to provide an appropriate set voltage. The recommended OVP point is about 1.1 to 1.2 times higher than the output voltage for normal operation.

$$V_{OVP} = 1.23 \times \left(1 + \frac{R_{HIGH}}{R_{LOW}}\right)$$

Selecting Dimming Control Mode

The MP3394S provides two different dimming methods

1. Direct PWM Dimming

An external PWM dimming signal is employed to achieve PWM dimming control. Connect a 100k Ω resistor from BOSC pin to GND and apply a PWM dimming signal—in the range of 100Hz to 20kHz—to the DBRT pin. The minimum recommended amplitude of the PWM signal is 1.2V. The low level should be less than 0.4V (See Figure 4).


Figure 4—Direct PWM Dimming

Table 1 shows the PWM dimming duty Range with different PWM dimming frequency for most of applications.

Table 1 The Range of PWM Dimming Duty

$f_{PWM}(Hz)$	D_{min}	D_{max}
$100 < f \leq 200$	0.30%	100%
$200 < f \leq 500$	0.75%	100%
$500 < f \leq 1k$	1.50%	100%
$1k < f \leq 2k$	3.00%	100%
$2k < f \leq 5k$	7.50%	100%
$5k < f \leq 10k$	15.00%	100%
$10k < f \leq 20k$	30.00%	100%

2. DC Input PWM Dimming

For DC input PWM dimming, apply an analog signal (ranging from 0.2 V to 1.2V) to the DBRT pin to modulate the LED current directly. If the DBRT voltage falls below 0.2V, the PWM duty cycle will be 0%. If the DBRT voltage goes above 1.2V, the output will be 100% (See Figure 5). The capacitor on BOSC pin sets the frequency of the internal triangle waveform according to the equation.

$$f_{BOSC} (kHz) = 3.5 / C_{BOSC} (nF)$$

Chose a dimming frequency in the range of 100Hz to 20kHz.


Figure 5—DC input PWM Dimming

Expanding LED Channels

The MP3394S can expand the number of LED channels by using two or three MP3394Ss in parallel. To connect two MP3394Ss for a total of 8 LED strings, tie the VCC pins of the master IC and the slave IC together to power the slave IC's internal logic circuitry. Tie the COMP pins of the slave IC and the master IC together to regulate the voltage of all 8 strings LEDs. The slave IC MOSFET driving signals are not used; the boost converter can be only driven by the master IC. Do not leave the I_{SENSE} pin of the slave IC floating; tie it to ground. Apply the EN and DIM signals to both ICs. For best results, use external PWM dimming mode for synchronized and accurate dimming.

Layout Considerations

The circuit layout for the MP3394S requires special attention to reduce EMI noise.

The loop from the external MOSFET (M1), through the output diode (D1) and the output capacitor (C2, C3) carry a high-frequency pulse current and must be as small and short as possible (See Figure 6).

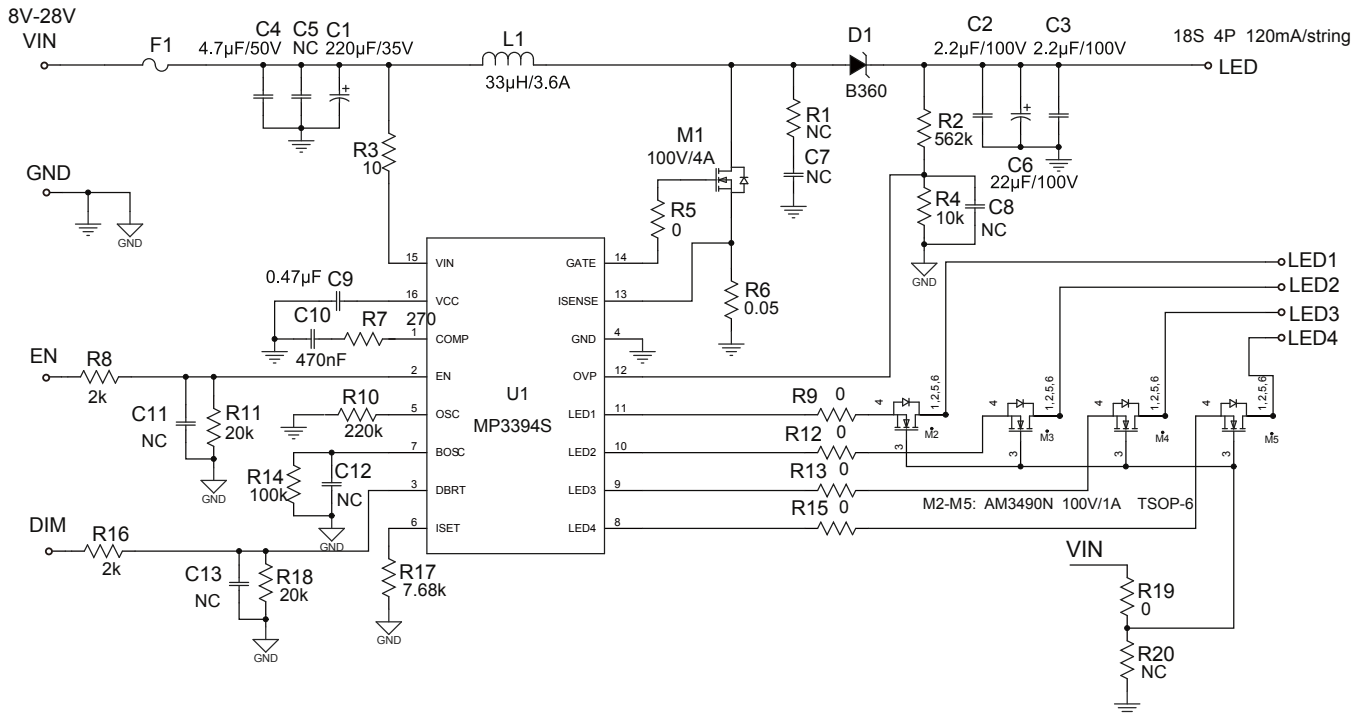

Figure 6—Layout Consideration

All logic signals refer to the signal ground. In order to reduce the noise affection, it is recommend to separate the power ground(PGND) and signal ground(GND), then connect PGND and GND together through single joint.

External MOSFET for Short Protection

When output voltage is higher than rating of LED1-4 pins, external MOSFET is needed for each LED channel to avoid destroying LED1-4 pins. (See Figure 8)The rating of MOSFET must be higher than $1.2 * V_{OUT} t$ and more than $1.2 * I_{LED}$.

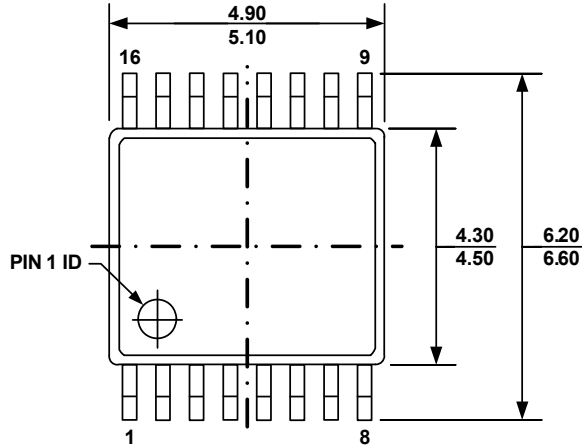
TYPICAL APPLICATION CIRCUITS

Figure 1—Application Circuit

Figure 8 – Drive 18LEDs in Series, 4 strings 120mA/string

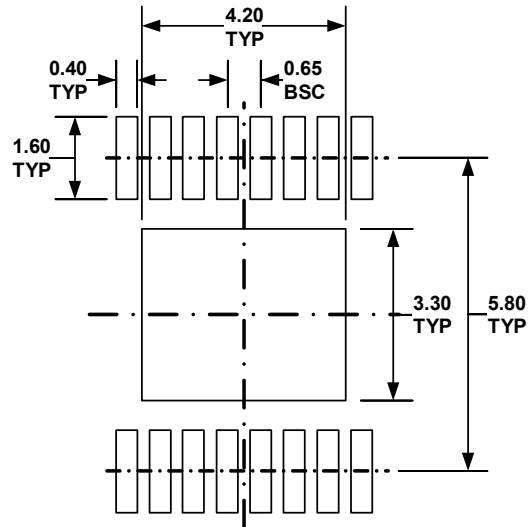
Note: For $V_{in} > 15V$ application, use R19 and R20(10k Ω) divider to make a 15V bias voltage for M2-M5.

PACKAGE INFORMATION

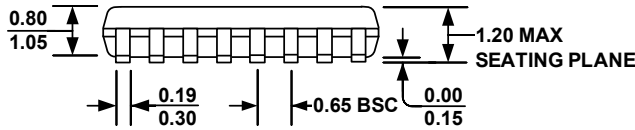
TSSOP16 (with external thermal pad)



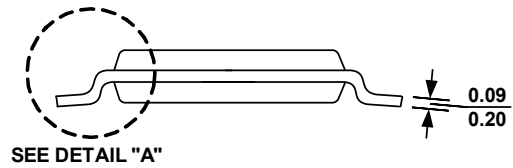
TOP VIEW



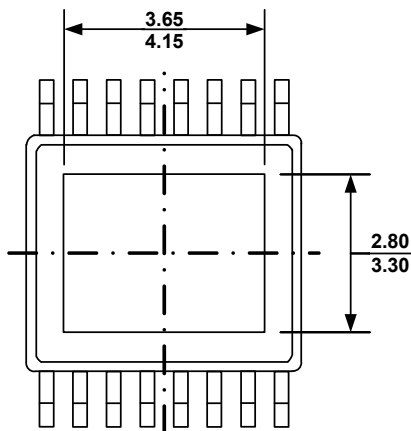
RECOMMENDED LAND PATTERN



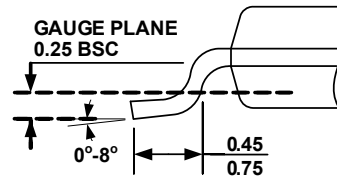
FRONT VIEW



SIDE VIEW



BOTTOM VIEW

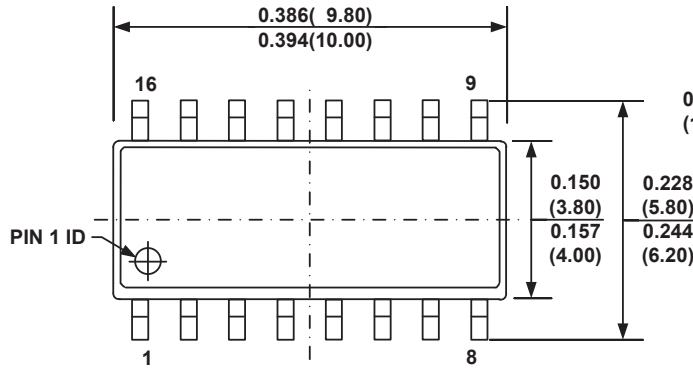


DETAIL "A"

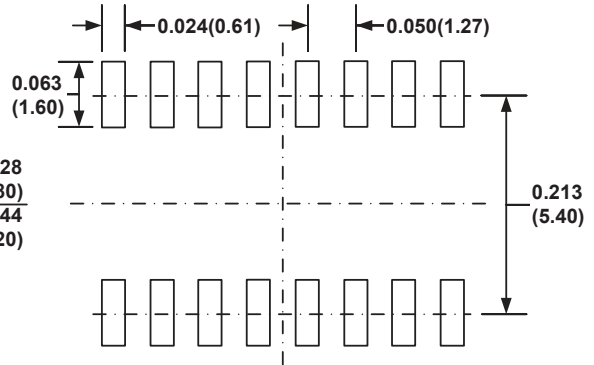
NOTE:

- 1) ALL DIMENSIONS ARE IN MILLIMETERS
- 2) PACKAGE LENGTH DOES NOT INCLUDE MOLD FLASH, PROTRUSION OR GATE BURR
- 3) PACKAGE WIDTH DOES NOT INCLUDE INTERLEAD FLASH OR PROTRUSION.
- 4) LEAD COPLANARITY (BOTTOM OF LEADS AFTER FORMING) SHALL BE 0.10 MILLIMETERS MAX
- 5) DRAWING CONFORMS TO JEDEC MO-153, VARIATION ABT.
- 6) DRAWING IS NOT TO SCALE

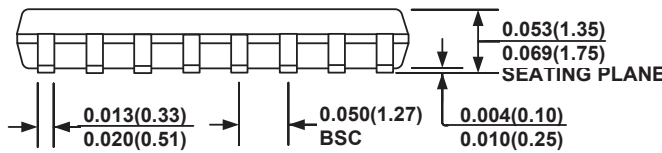
SOIC16



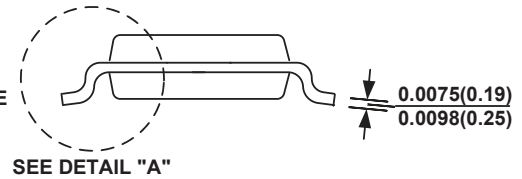
TOP VIEW



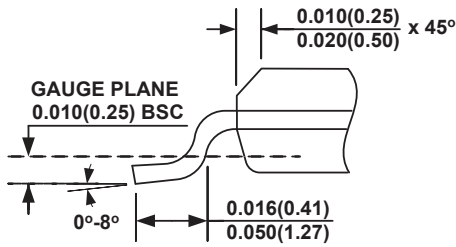
RECOMMENDED LAND PATTERN



FRONT VIEW



SIDE VIEW



DETAIL "A"

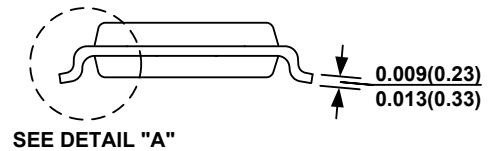
NOTE:

- 1) CONTROL DIMENSION IS IN INCHES. DIMENSION IN BRACKET IS IN MILLIMETERS.
- 2) PACKAGE LENGTH DOES NOT INCLUDE MOLD FLASH, PROTRUSIONS OR GATE BURRS.
- 3) PACKAGE WIDTH DOES NOT INCLUDE INTERLEAD FLASH OR PROTRUSIONS.
- 4) LEAD COPLANARITY (BOTTOM OF LEADS AFTER FORMING) SHALL BE 0.004" INCHES MAX.
- 5) DRAWING CONFORMS TO JEDEC MS-012, VARIATION AC.
- 6) DRAWING IS NOT TO SCALE.

SOIC20

TOP VIEW

RECOMMENDED LAND PATTERN

FRONT VIEW

SIDE VIEW

DETAIL "A"
NOTE:

- 1) CONTROL DIMENSION IS IN INCHES. DIMENSION IN BRACKET IS IN MILLIMETERS.
- 2) PACKAGE LENGTH DOES NOT INCLUDE MOLD FLASH, PROTRUSIONS OR GATE BURRS.
- 3) PACKAGE WIDTH DOES NOT INCLUDE INTERLEAD FLASH OR PROTRUSIONS.
- 4) LEAD COPLANARITY (BOTTOM OF LEADS AFTER FORMING) SHALL BE 0.10 MILLIMETERS MAX.
- 5) DRAWING CONFORMS TO JEDEC MS-013, VARIATION AC.
- 6) DRAWING IS NOT TO SCALE.

NOTICE: The information in this document is subject to change without notice. Users should warrant and guarantee that third party Intellectual Property rights are not infringed upon when integrating MPS products into any application. MPS will not assume any legal responsibility for any said applications.