

PRODUCT DATA DRAWING

REVISION HISTORY			
REV	DESCRIPTION	DATE	APPROVED
-	DCN 36942	07/09	DAL

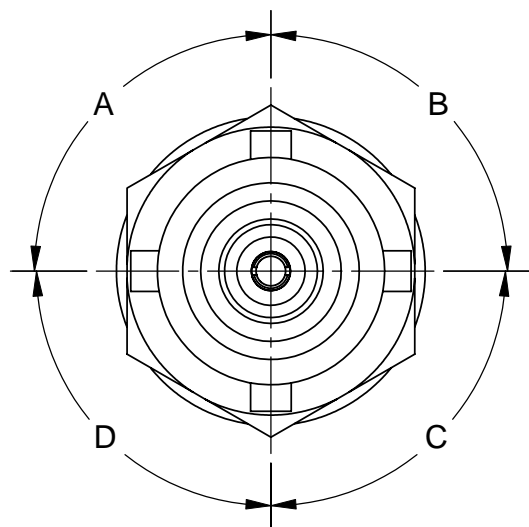


FIGURE 1

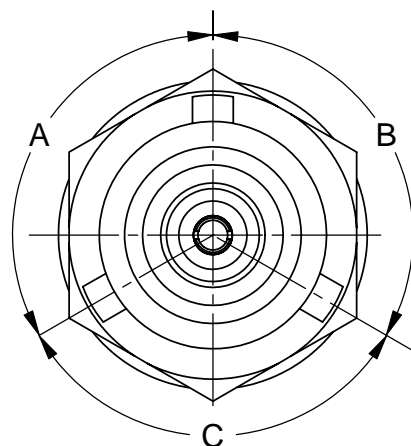
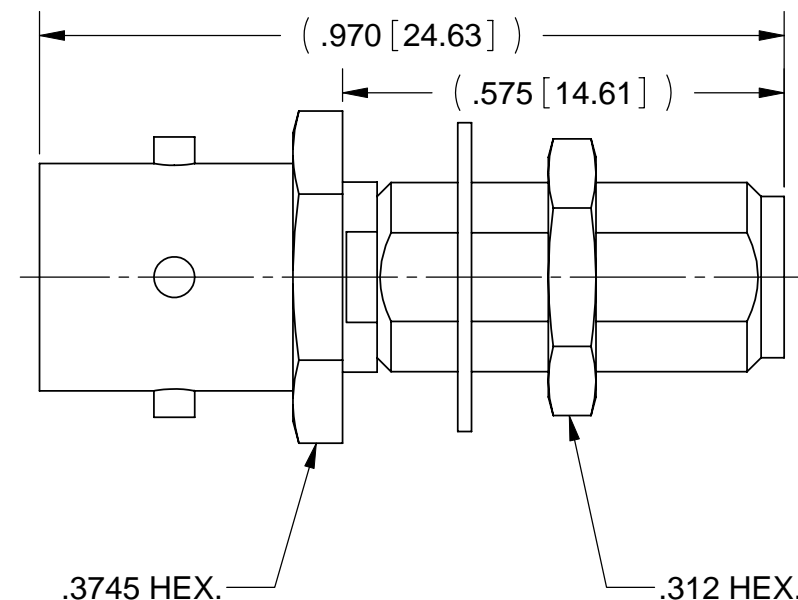


FIGURE 2



MATERIAL:

BODY, &
HEX NUT: STAINLESS STEEL PER AMS-5640,
ALLOY UNS S30300, TYPE 1

CONTACT: BERYLLIUM COPPER PER ASTM B196,
ALLOY No. UNS C17300, TD04

INSULATOR: PTFE PER ASTM D1710, TYPE I, GRADE 1, CLASS B

LOCK WASHER: 300 SERIES STAINLESS

FINISH:

BODY,
HEX NUT &
LOCK WASHER: PASSIVATED PER AMS-2700.

CONTACT: GOLD PER ASTM B488, TYPE II,
CODE C, CLASS 1.52, OVER NICKEL
PER AMS-QQ-N-290, CLASS 1, .00005" MIN.

PERFORMANCE:

IMPEDANCE: 50 OHMS
FREQ. RANGE: DC TO 12.4 GHz

PART NUMBER	FIGURE	ANGLE A	ANGLE B	ANGLE C	ANGLE D
SF1187-6623	1	90	90	90	90
SF1187-6624	2	120	120	120	-
SF1187-6625	2	130	130	100	-
SF1187-6626	2	110	110	140	-
SF1187-6627	2	100	100	160	-
SF1187-6628	2	110	130	120	-
SF1187-6629	2	120	130	110	-
SF1187-6630	2	100	150	110	-

MATERIAL: SEE NOTES	DIMENSIONS ARE IN INCHES TOLERANCES: FRACTIONAL: ±1/64 ANGULAR: X° ±1'0" X'X' ±15'	UNLESS OTHERWISE SPECIFIED 1) ALL DIMENSIONS ARE IN INCHES (MILLIMETERS) 2) ALL DIMENSIONS ARE AFTER PLATING. 3) BREAK CORNERS & EDGES .005 R. MAX. 4) CHAM. 1ST & LAST THREADS. 5) SURFACE ROUGHNESS 63-MIL-STD-10. 6) DIA.'S ON COMMON CENTERS TO BE CONCENTRIC WITHIN .005 T.I.R. 7) REMOVE ALL BURRS	SV Microwave, Inc. 2400 Centrepark West Drive, Suite 100 West Palm Beach, FL 33409 TITLE: SMA JACK TO ZMA ADAPTER
FINISH: SEE NOTES	DECIMAL: .X ±.030 .XX ±.010 .XXX ±.005		
SURFACE AREA: N/A	INTERPRET DIMENSIONS AND TOLERANCES PER ASME Y14.5M - 1994	THIRD ANGLE PROJECTION	DRAWN: NHR 07/30/09 CHECKED: DAL 07/30/09 APPROVED: DAL 07/30/09
PROPRIETARY THE INFORMATION CONTAINED IN THIS DRAWING IS THE SOLE PROPERTY OF SV MICROWAVE, INC. ANY REPRODUCTION IN PART OR AS A WHOLE WITHOUT THE WRITTEN PERMISSION OF SV MICROWAVE, INC IS PROHIBITED.		SIZE: B CAGE CODE: 95077 DWG. NO.: SF1187-6623-6630 SCALE: 4:1 SHEET 1 OF 1	