

PRODUCT DATA DRAWING

| REVISION HISTORY | | | |
|------------------|-------------|-------|----------|
| REV | DESCRIPTION | DATE | APPROVED |
| - | DCN 36942 | 07/09 | DAL |
| | | | |

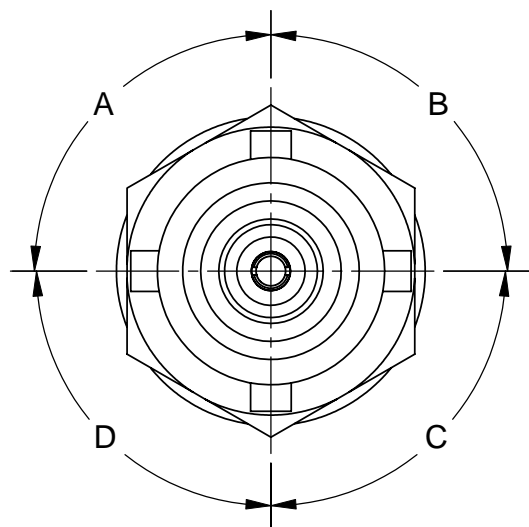


FIGURE 1

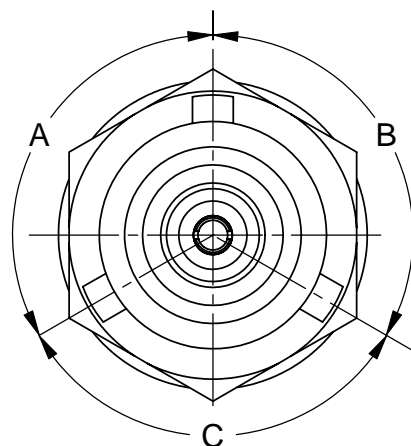
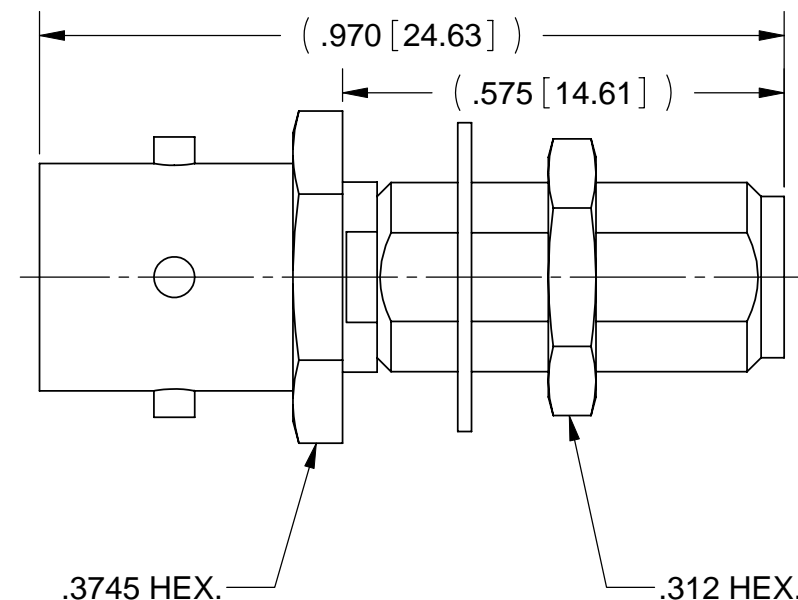


FIGURE 2



MATERIAL:

BODY, &
HEX NUT: STAINLESS STEEL PER AMS-5640,
ALLOY UNS S30300, TYPE 1

CONTACT: BERYLLIUM COPPER PER ASTM B196,
ALLOY No. UNS C17300, TD04

INSULATOR: PTFE PER ASTM D1710, TYPE I, GRADE 1, CLASS B

LOCK WASHER: 300 SERIES STAINLESS

FINISH:

BODY,
HEX NUT &
LOCK WASHER: PASSIVATED PER AMS-2700.

CONTACT: GOLD PER ASTM B488, TYPE II,
CODE C, CLASS 1.52, OVER NICKEL
PER AMS-QQ-N-290, CLASS 1, .00005" MIN.

PERFORMANCE:

IMPEDANCE: 50 OHMS
FREQ. RANGE: DC TO 12.4 GHz

| PART NUMBER | FIGURE | ANGLE A | ANGLE B | ANGLE C | ANGLE D |
|-------------|--------|---------|---------|---------|---------|
| SF1187-6623 | 1 | 90 | 90 | 90 | 90 |
| SF1187-6624 | 2 | 120 | 120 | 120 | - |
| SF1187-6625 | 2 | 130 | 130 | 100 | - |
| SF1187-6626 | 2 | 110 | 110 | 140 | - |
| SF1187-6627 | 2 | 100 | 100 | 160 | - |
| SF1187-6628 | 2 | 110 | 130 | 120 | - |
| SF1187-6629 | 2 | 120 | 130 | 110 | - |
| SF1187-6630 | 2 | 100 | 150 | 110 | - |

| | | | |
|---|--|---|---|
| MATERIAL: SEE NOTES | DIMENSIONS ARE IN INCHES TOLERANCES: FRACTIONAL: ±1/64 ANGULAR: X° ±1'0" X'X' ±15' | UNLESS OTHERWISE SPECIFIED 1) ALL DIMENSIONS ARE IN INCHES (MILLIMETERS) 2) ALL DIMENSIONS ARE AFTER PLATING. 3) BREAK CORNERS & EDGES .005 R. MAX. 4) CHAM. 1ST & LAST THREADS. 5) SURFACE ROUGHNESS 63-MIL-STD-10. 6) DIA.'S ON COMMON CENTERS TO BE CONCENTRIC WITHIN .005 T.I.R. 7) REMOVE ALL BURRS | SV Microwave, Inc. 2400 Centrepark West Drive, Suite 100 West Palm Beach, FL 33409 TITLE: SMA JACK TO ZMA ADAPTER |
| FINISH: SEE NOTES | DECIMAL: .X ±.030 .XX ±.010 .XXX ±.005 | INTERPRET DIMENSIONS AND TOLERANCES PER ASME Y14.5M - 1994 | |
| SURFACE AREA: N/A | THIRD ANGLE PROJECTION | DRAWN: NHR 07/30/09 | SIZE: B CAGE CODE: 95077 DWG. NO.: SF1187-6623-6630 |
| PROPRIETARY THE INFORMATION CONTAINED IN THIS DRAWING IS THE SOLE PROPERTY OF SV MICROWAVE, INC. ANY REPRODUCTION IN PART OR AS A WHOLE WITHOUT THE WRITTEN PERMISSION OF SV MICROWAVE, INC IS PROHIBITED. | | CHECKED: DAL 07/30/09 | SCALE: 4:1 |
| | | APPROVED: DAL 07/30/09 | SHEET 1 OF 1 |