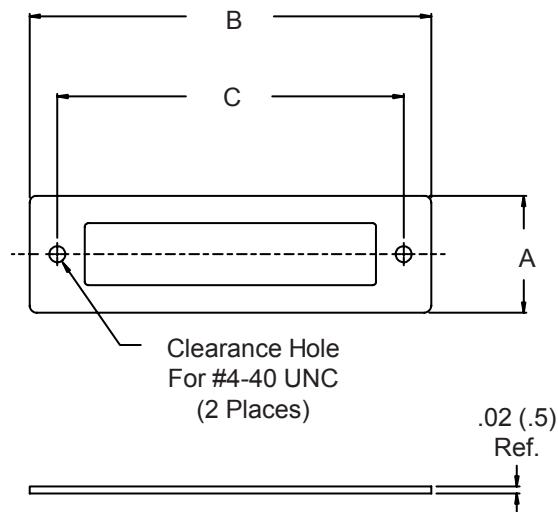


## 559-005 EMI/RFI Gasket For Micro-D Backshells



### HOW TO ORDER

Part Number	Shell Size	A Ref	B Ref	C Ref
559-005-01	9	.46 (11.7)	.90 (22.9)	.565 (14.4)
559-005-02	15	.46 (11.7)	1.05 (26.7)	.715 (18.2)
559-005-03	21	.46 (11.7)	1.20 (30.5)	.865 (22.0)
559-005-04	25	.46 (11.7)	1.30 (33.0)	.965 (24.5)
559-005-05	31	.46 (11.7)	1.48 (37.6)	1.115 (28.3)
559-005-06	37	.46 (11.7)	1.60 (40.6)	1.265 (32.1)
559-005-07	51	.50 (12.7)	1.55 (39.4)	1.215 (30.9)
559-005-08	100	.55 (14.0)	2.29 (58.2)	1.800 (45.7)

**MATERIAL: Metalastic**

Metric dimensions (mm) are indicated in parentheses.