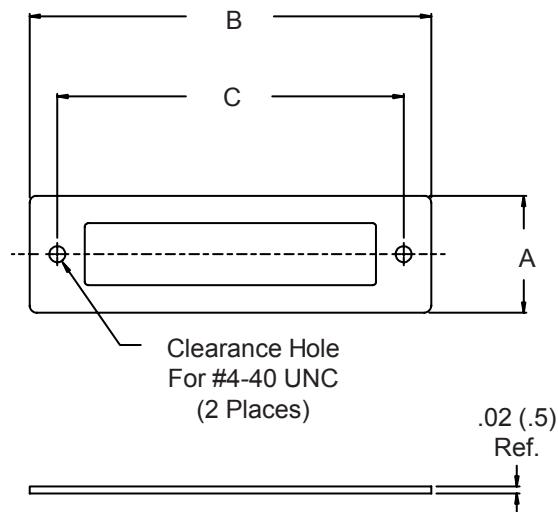


559-005 EMI/RFI Gasket For Micro-D Backshells



HOW TO ORDER

| Part Number | Shell Size | A Ref | B Ref | C Ref |
|-------------|------------|------------|-------------|--------------|
| 559-005-01 | 9 | .46 (11.7) | .90 (22.9) | .565 (14.4) |
| 559-005-02 | 15 | .46 (11.7) | 1.05 (26.7) | .715 (18.2) |
| 559-005-03 | 21 | .46 (11.7) | 1.20 (30.5) | .865 (22.0) |
| 559-005-04 | 25 | .46 (11.7) | 1.30 (33.0) | .965 (24.5) |
| 559-005-05 | 31 | .46 (11.7) | 1.48 (37.6) | 1.115 (28.3) |
| 559-005-06 | 37 | .46 (11.7) | 1.60 (40.6) | 1.265 (32.1) |
| 559-005-07 | 51 | .50 (12.7) | 1.55 (39.4) | 1.215 (30.9) |
| 559-005-08 | 100 | .55 (14.0) | 2.29 (58.2) | 1.800 (45.7) |

MATERIAL: Metalastic

Metric dimensions (mm) are indicated in parentheses.