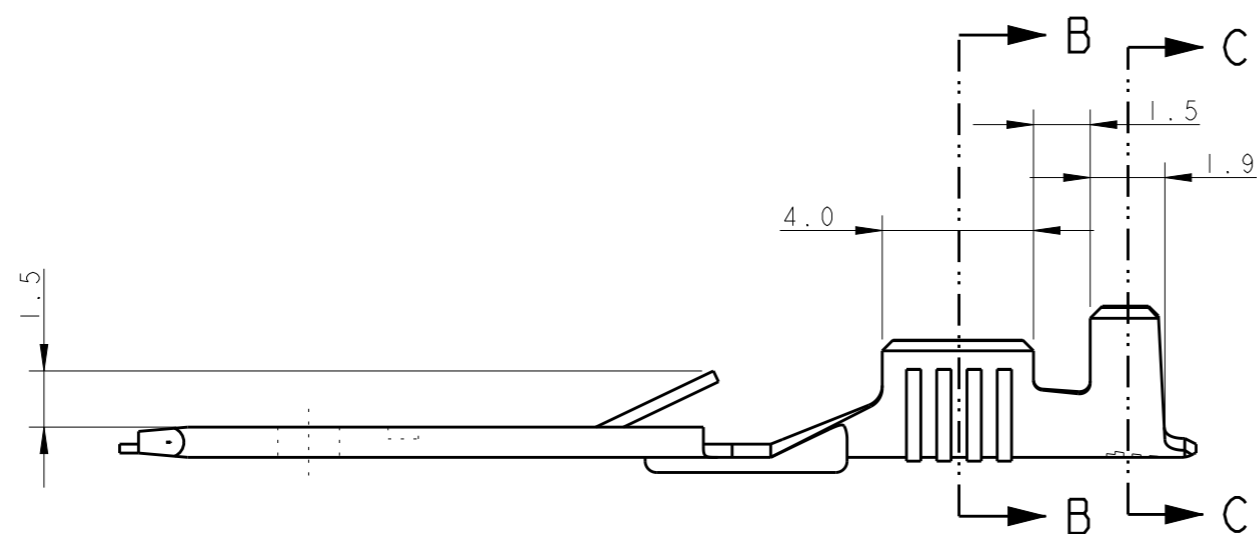


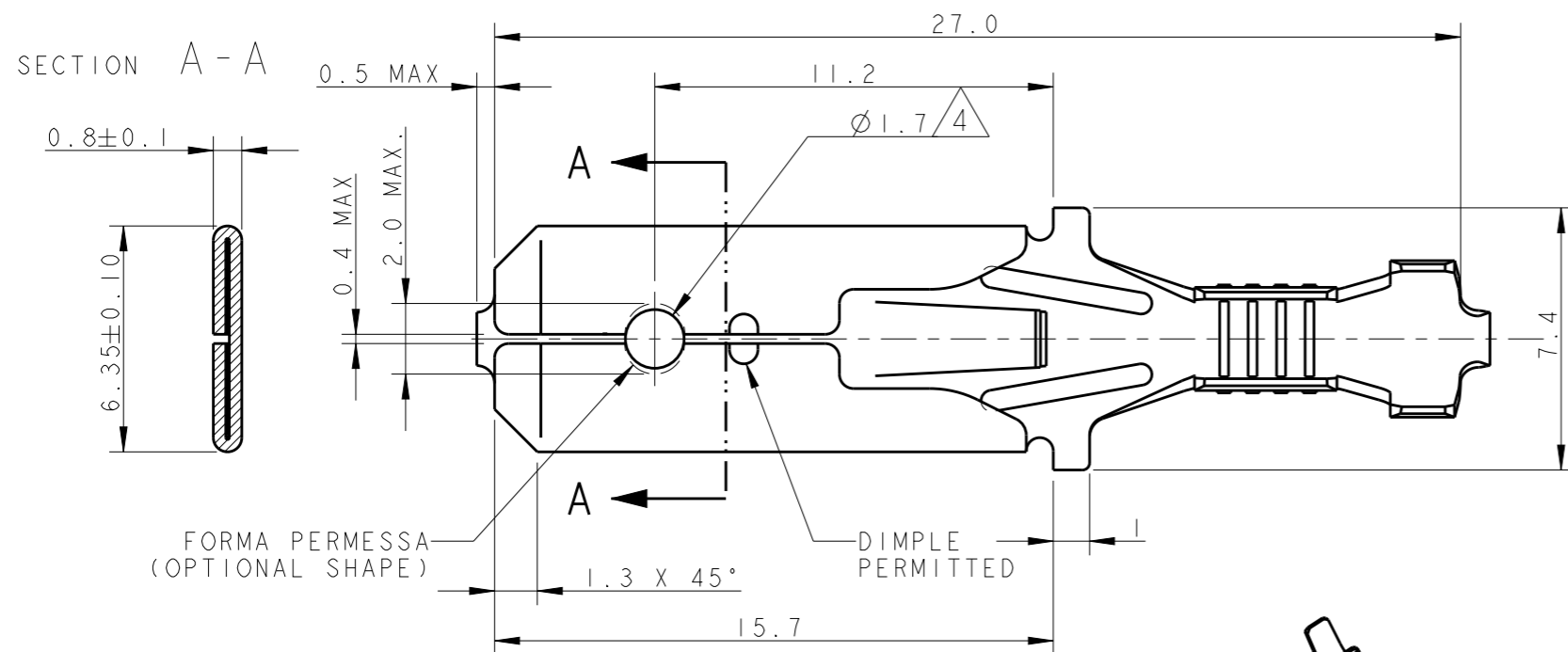
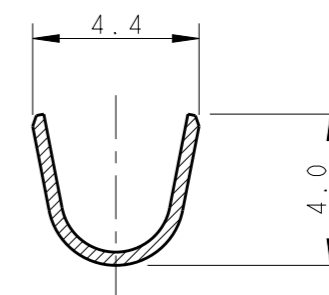
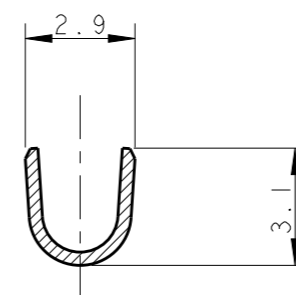
THIS DRAWING IS UNPUBLISHED. RELEASED FOR PUBLICATION 2004
 © COPYRIGHT 2004 ALL RIGHTS RESERVED.

LOC	DIST	REVISIONS			
P	LTR	DESCRIPTION	DATE	DWN	APVD
	B3	REVISED PER ECO-11-005301	28MAR2011	RK	HMR
	B4	NEW PNs WITHOUT INTERLEAVE ADDED	20MAY2013	PKS	RRP
	C	PLATING INFO CORRECTED FOR 3- -2	17JUN2013	PKS	RRP
	C1	NEW PNs WITH NEW Q'TY ADDED	08APR2018	DT	TD

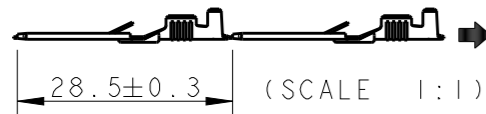


SECTION B-B

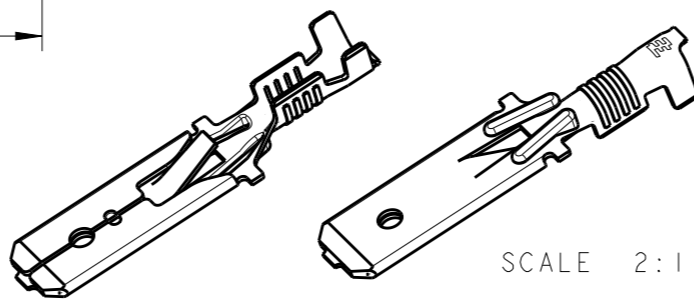
SECTION C-C



1) STATO DI FORNITURA (SUPPLY CONDITION, Scala 1:1)



SENSO DI USCITA DEL TERMINALE DALLA BOBINA (DIRECTION OFF TOP OF REEL)



- 2) BOBINATO SU BOBINA 12" CON CARTA INTERPOSTA (REELED ON 12" CARTON TYPE REEL WITH INTERLEAVE PAPER STRIP)
- 3) SPLICING STRIP PRODUCT BY SPOT WELDING PERMITTED

- 4 VERSIONI CON FORO (VERSION WITH HOLE)
- 5 REELED WITHOUT INTERLEAVE PAPER
- 6 NEW PNs WITH NEW Q'TY ADDED

NOTE (NOTES)	VERSIONI (VERSIONS)	FINITURA (FINISH)	MATERIALE (MATERIAL)	NUMERO (TE P/N)
		PRE-STAGNATO (PRE-TINNED)	OTTONE (BRASS)	3-293041-2
		NUDO (PLAIN)	OTTONE (BRASS)	3-293041-1
		PRE-STAGNATO (PRE-TINNED)	OTTONE (BRASS)	2-293041-2
		NUDO (PLAIN)	OTTONE (BRASS)	2-293041-1
6		PRE-STAGNATO (PRE-TINNED)	OTTONE (BRASS)	7-293041-2
		PRE-STAGNATO (PRE-TINNED)	OTTONE (BRASS)	1-293041-2
		NUDO (PLAIN)	OTTONE (BRASS)	1-293041-1
6		PRE-STAGNATO (PRE-TINNED)	OTTONE (BRASS)	6-293041-2
6		NUDO (PLAIN)	OTTONE (BRASS)	6-293041-1
		PRE-STAGNATO (PRE-TINNED)	OTTONE (BRASS)	0-293041-2
		NUDO (PLAIN)	OTTONE (BRASS)	0-293041-1

THIS DRAWING IS A CONTROLLED DOCUMENT.

DIMENSIONS: mm	TOLERANCES UNLESS OTHERWISE SPECIFIED:
	0 PLC ±0.3
	1 PLC ±0.3
	2 PLC ±0.3
	3 PLC ±0.3
	4 PLC ±0.3
	ANGLES ±2°
DIAM. ISOLANTE (INS. DIA. RANGE) Ø2.3 mm MAX	
RANGO FILO (WIRE RANGE) 0.35-1.00 mm ²	
MATERIAL SEE TABLE	FINISH SEE TABLE

DWN 04 JUL 2005 H. Yaali
CHK G. Turco
APVD
PRODUCT SPEC 108-20020
APPLICATION SPEC 114-20119
WEIGHT -
Customer Drawing

STE TE Connectivity

NAME: FASTIN-FASTON Connector, 6.3 mm SR. TAB CONTACT

SIZE A3	CAGE CODE 00779	DRAWING NO C-293041	RESTRICTED TO -
---------	-----------------	---------------------	-----------------

SCALE 5:1 SHEET 1 OF 1 REV C1