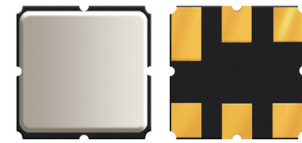


# LOW LOSS SMD RF SAW FILTER

AFS942.5W03-TS4



RoHS  
Compliant



3.0 x 3.0 x 1.5mm

## FEATURES:

- 3.0 x 3.0 x 1.5mm SMD package
- Low pass band insertion loss
- Low band pass ripple 1.4dB max
- High input power
- Excellent attenuation

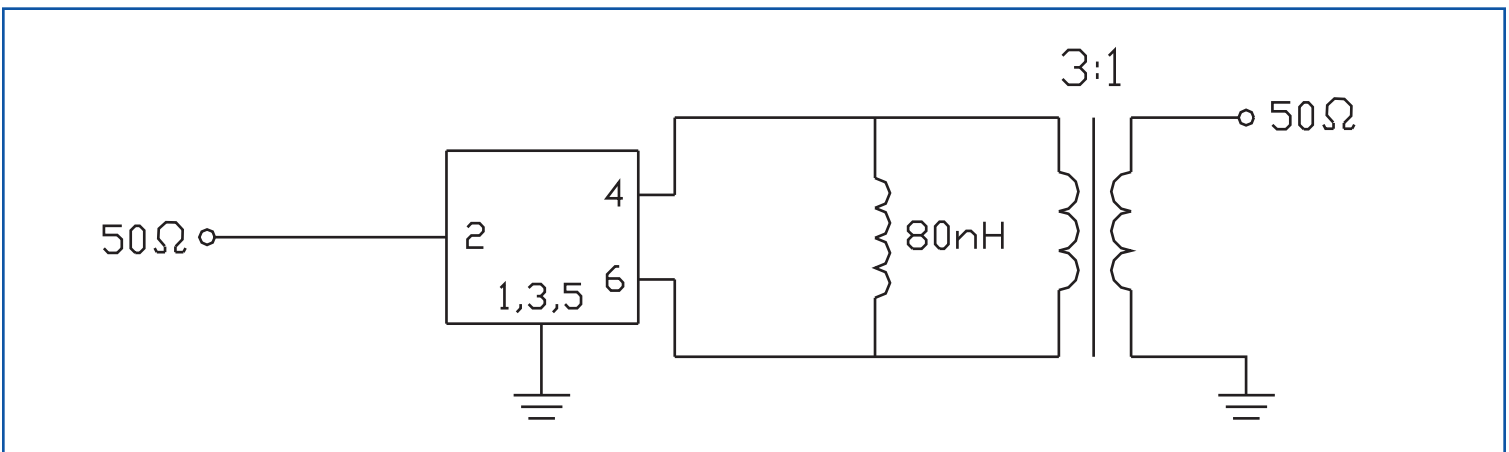
## APPLICATIONS:

- GSM
- PDA

## STANDARD SPECIFICATIONS:

Parameters	Minimum	Typical	Maximum	Units	Notes
Center Frequency ( $f_0$ )	942.5			MHz	
Passband Width	-----	35	-----	MHz	
Insertion Loss	-----	-----	3.8	dB	925~960MHz
Ripple	-----	-----	1.4	dB	925~960MHz
Stopband Attenuation	50	-----	-----	dB	DC ~ 880MHz
	28	-----	-----	dB	880 ~ 905MHz
	18	-----	-----	dB	905 ~ 915MHz
	20	-----	-----	dB	980 ~ 1050MHz
	50	-----	-----	dB	1050 ~ 1500MHz
	45	-----	-----	dB	1500 ~ 2130MHz
	40	-----	-----	dB	2130 ~ 3000MHz
Input Impedance	50			$\Omega$	Unbalanced
Output Impedance	150//80			$\Omega$ //nH	Balanced
Operation Temperature Range	-10	-----	+75	$^{\circ}\text{C}$	
Storage Temperature Range	-40	-----	+85	$^{\circ}\text{C}$	
DC Permissive Voltage	-----	-----	5	Vdc	
Maximum Input Power	-----	-----	+18	dBm	

## TEST CIRCUIT:

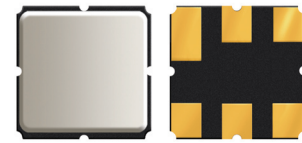


# LOW LOSS SMD RF SAW FILTER

AFS942.5W03-TS4

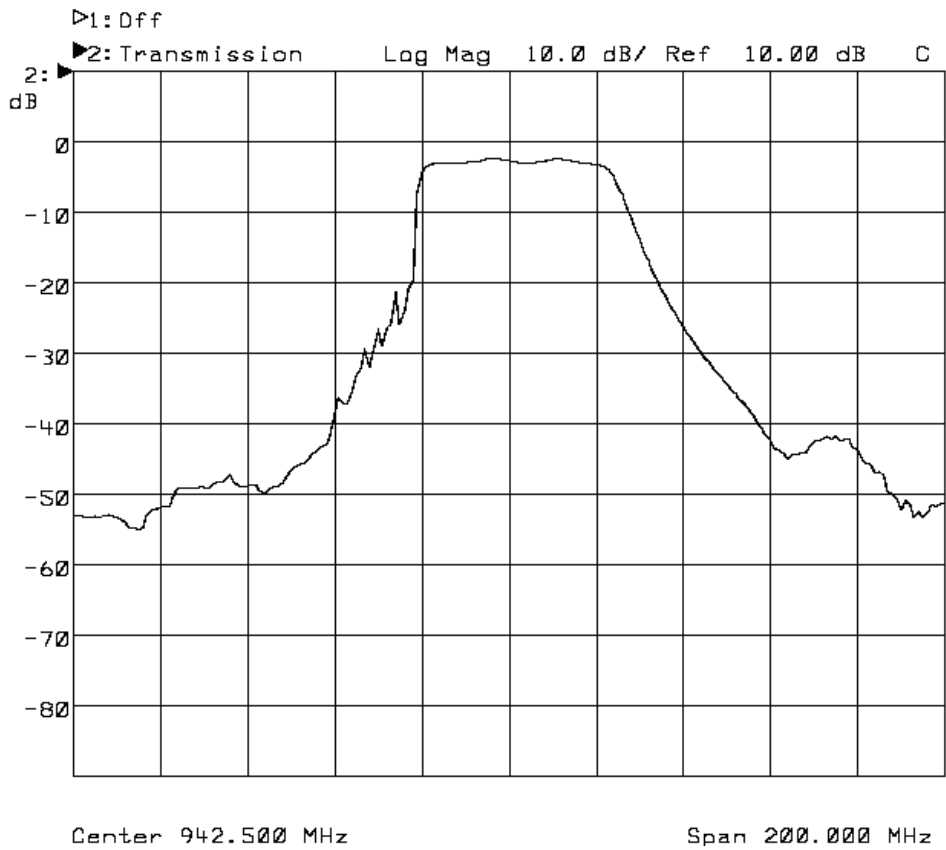


RoHS  
Compliant

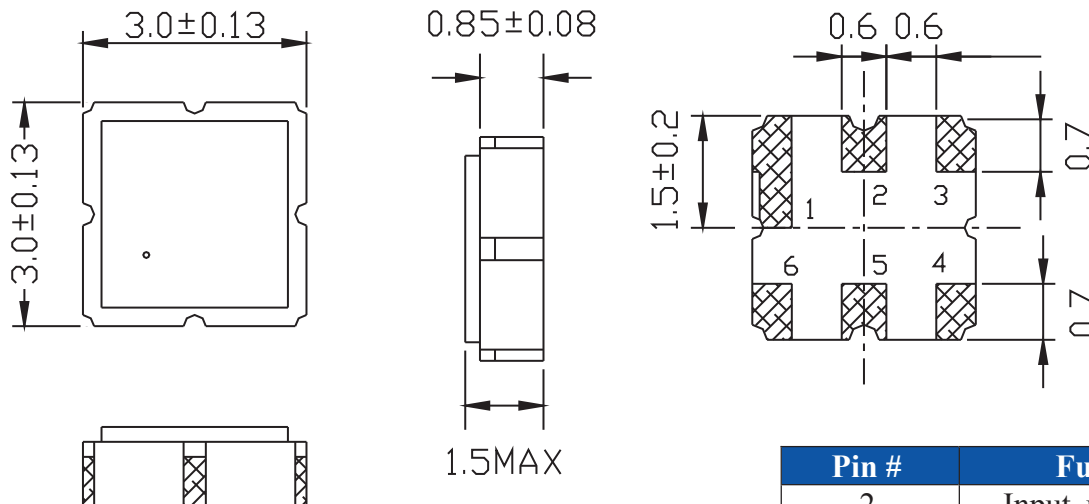


3.0 x 3.0 x 1.5mm

## FREQUENCY CHARACTERISTICS:



## OUTLINE DIMENSIONS:



Dimensions: mm

Pin #	Function
2	Input, unbalanced
4,6	Output, balanced
Others	Case Ground

ABRACON IS  
ISO9001:2008  
CERTIFIED



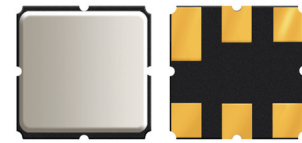
Visit [www.abracon.com](http://www.abracon.com) for Terms & Conditions of Sale **Revised: 10.18.10**  
30332 Esperanza, Rancho Santa Margarita, California 92688  
tel 949-546-8000 | fax 949-546-8001 | [www.abracon.com](http://www.abracon.com)

# LOW LOSS SMD RF SAW FILTER

AFS942.5W03-TS4

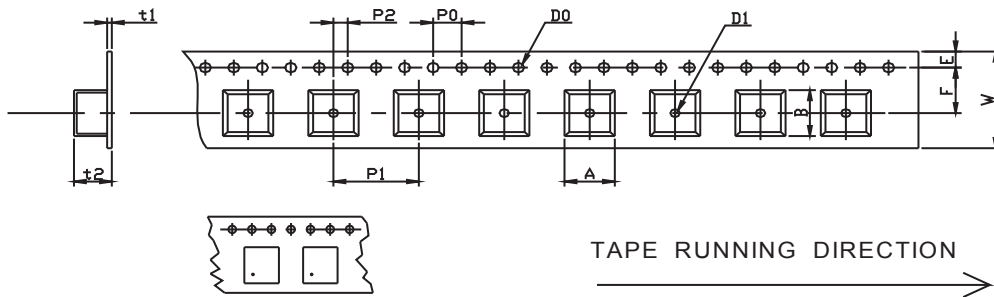


RoHS  
Compliant

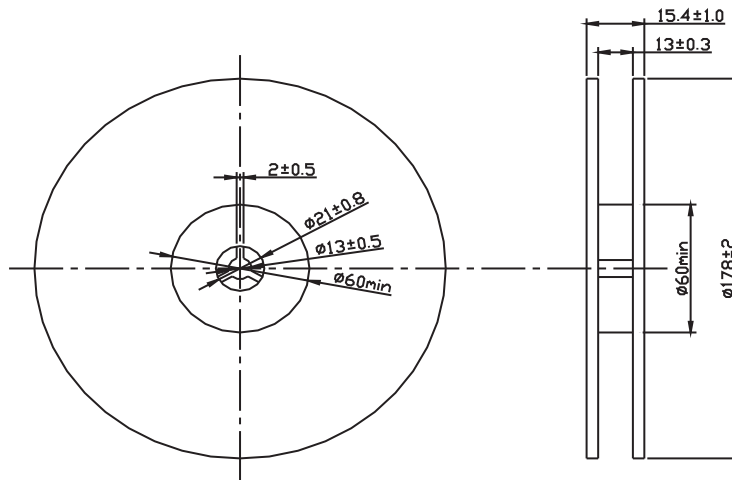


3.0 x 3.0 x 1.5mm

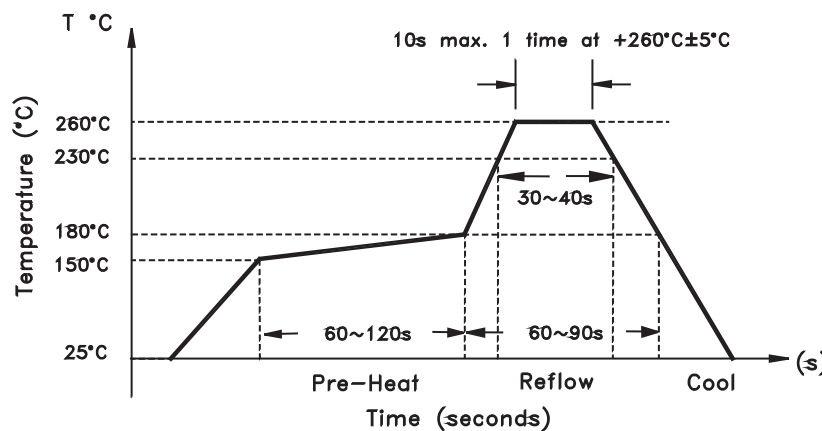
## TAPE & REEL: 3000pcs/reel



W	F	E	P0	P1	P2	D0	D1	t1	t2	A	B
12.0	5.5	1.75	4.0	4.0	2.0	Φ 1.5	Φ 1.5	0.31	1.95	3.3	3.3
± 0.3	± 0.1	± 0.1	± 0.2	± 0.1	± 0.2	± 0.1	± 0.25	max.	max.	max.	max.



## REFLOW PROFILE:



**ATTENTION:** Abracon Corporation's products are COTS – Commercial-Off-The-Shelf products; suitable for Commercial, Industrial and, where designated, Automotive Applications. Abracon's products are not specifically designed for Military, Aviation, Aerospace, Life-dependant Medical applications or any application requiring high reliability where component failure could result in loss of life and/or property. For applications requiring high reliability and/or presenting an extreme operating environment, written consent and authorization from Abracon Corporation is required. Please contact Abracon Corporation for more information.

Need a test socket for the AFS942.5W03-TS4 series? To view compatible **PRECISION TEST & BURN-IN SOCKETS** for these parts, click here. P/N: [AXS-3030-06-03](#).

ABRACON IS  
ISO9001:2008  
CERTIFIED



Visit [www.abracon.com](http://www.abracon.com) for Terms & Conditions of Sale **Revised: 10.18.10**  
30332 Esperanza, Rancho Santa Margarita, California 92688  
tel 949-546-8000 | fax 949-546-8001 | [www.abracon.com](http://www.abracon.com)