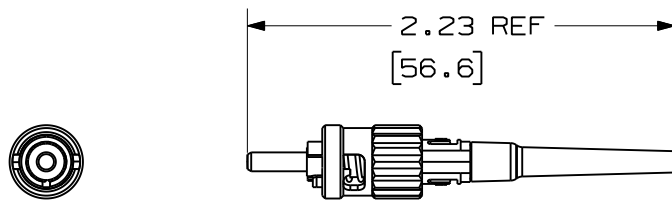
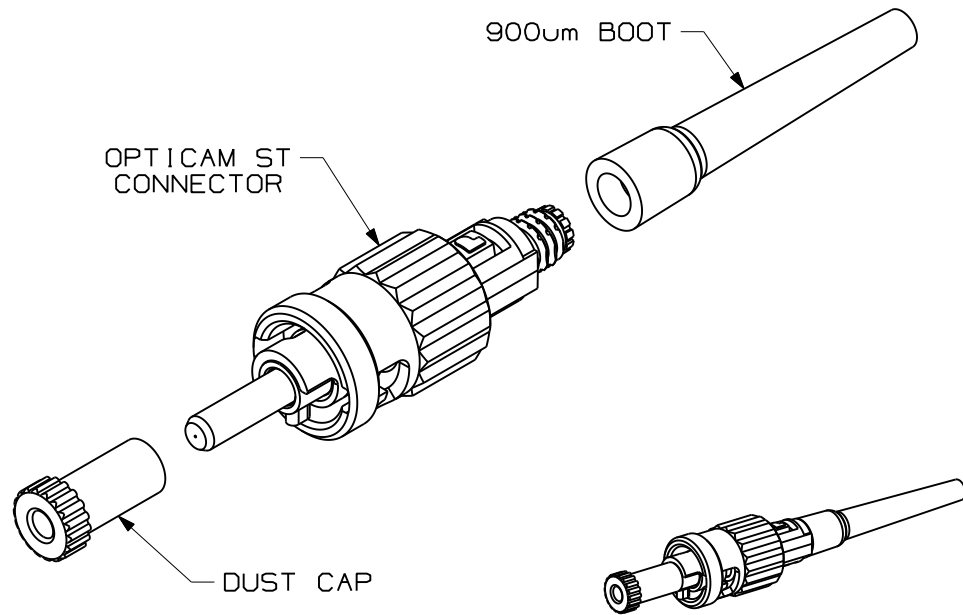


THIS COPY IS PROVIDED ON A RESTRICTED BASIS AND IS NOT TO BE USED IN ANY WAY DETRIMENTAL TO THE INTERESTS OF PANDUIT CORP.



PANDUIT PART NUMBER	FIBER TYPE	FERRULE TYPE
FSTSCBU	9/125um SINGLEMODE	ZIRCONIA
FSTMXAQ	50/125um MULTIMODE	ZIRCONIA
FSTMC5BL	50/125um MULTIMODE	ZIRCONIA
FSTMC6E1	62.5/125um MULTIMODE	ZIRCONIA
FSTMPC5BL	50/125um MULTIMODE	POLYMER
FSTMPC6E1	62.5/125um MULTIMODE	POLYMER



NOTES:

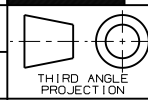
- SEE CATALOG FOR ADDITIONAL PART NUMBER SUFFIXES TO INDICATE COLOR AND/OR PACKAGE QUANTITY
- ACCEPTS 50/125um, 62.5/125um, 50/125 OM3 MULTIMODE OR 9/125um SINGLEMODE, 900um BUFFERED GLASS OPTICAL FIBER.
- FULLY COMPLIES WITH THE FIBER OPTIC CONNECTOR PERFORMANCE REQUIREMENTS AS SPECIFIED BY TIA/EIA-568-B.3.
- MATERIAL:
BODY/HARDWARE: PLASTIC
BOOT: THERMOPLASTIC RUBBER
FERRULE: ZIRCONIA CERAMIC OR POLYMER
- ALL MATERIALS AND COMPONENTS USED MEET THE MATERIAL RESTRICTIONS OF RoHS, (EUROPEAN DIRECTIVE 2002/95/EC ON THE RESTRICTION OF HAZARDOUS SUBSTANCES) AS PROPOSED BY THE RoHS TECHNICAL ADAPTATION COMMITTEE.
- DIMENSIONS IN BRACKETS ARE METRIC [mm].
- 1.6/2.0mm AND 3.0mm BOOT ASSEMBLIES ARE AVAILABLE SEPARATELY.

REV	DATE	BY	CHK	DESCRIPTION	ECN	R	CUST	SUP	OTH
04	03-16-11	EFK		RELEASED TO PRODUCTION	01894-17				

OPTICAM ST CONNECTOR
CUSTOMER DRAWING



PANDUIT™
CORP.
TINLEY PARK, ILL 60477



ALL DIMENSIONS ARE GIVEN IN INCHES UNLESS OTHERWISE SPECIFIED.
DIMENSIONAL TOLERANCES ARE:
(.X) ±.010 (0.3)
(.XX) ±.03 (0.8) ANGLES

DRAWING FILENAME
M01894AJ_DC/01B

DRAWN BY
MC

REVIEW DRAWING NUMBERS

PART NO.
SEE TABLE

DATE
05-25-06

CHK'D
MMW

DRAWING NO.
01894-17

SIZE
A